

Yale[®]
People. Products. Productivity.™

Order Selector
Straddle Selector
Furniture Selector



OS-BF / OS-EF
SS-BF / FS-BF

1,500 - 3,000 lbs.

When it comes to hardworking, Yale® lift trucks are your top pick

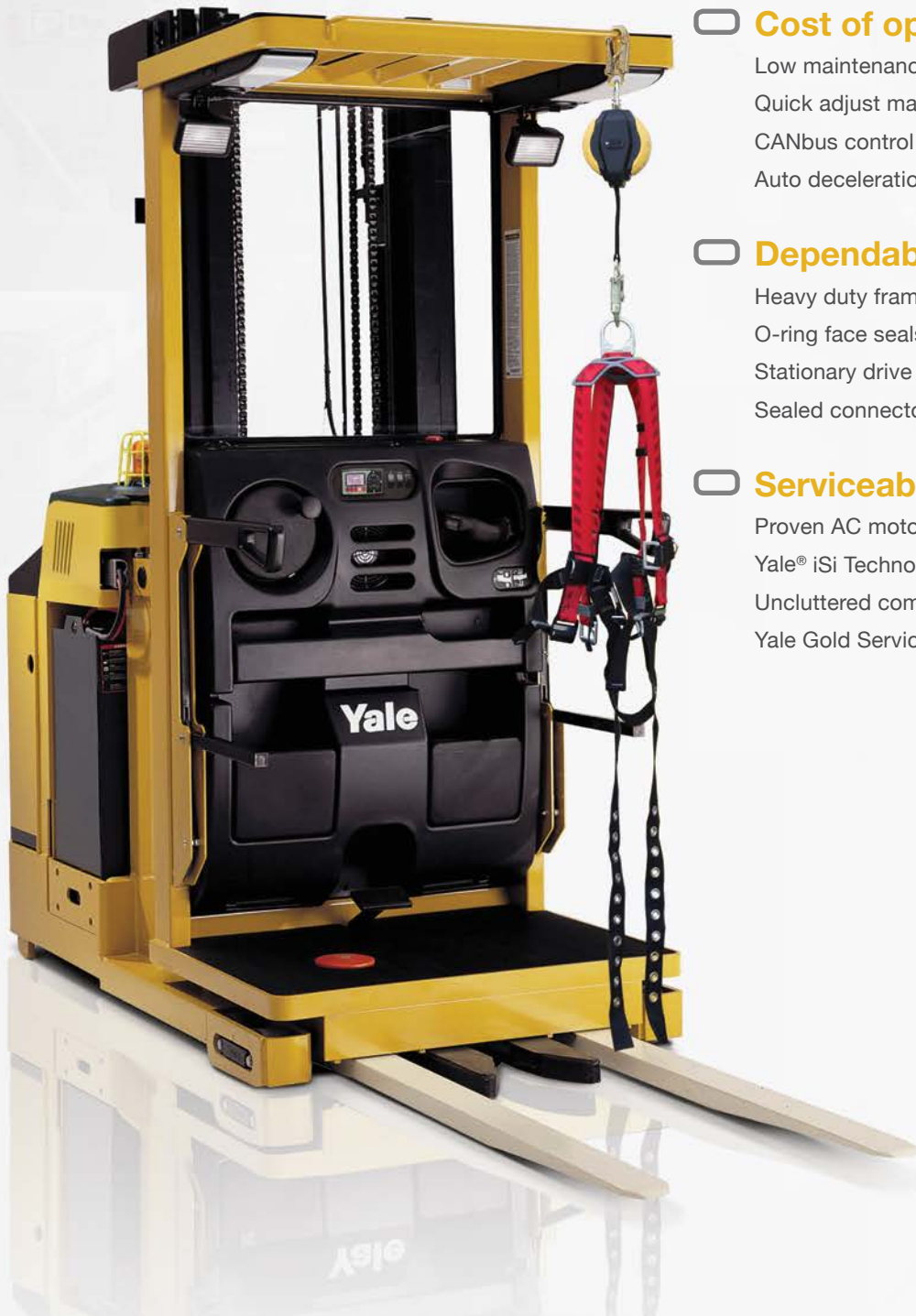
Your application demands order selectors and straddle selectors that can go the distance, with reliable performance, cost-saving performance and thoughtfully designed ergonomics that will keep your operators going strong, shift after shift. Yale has the solution.

With top-of-the-line components, superior ergonomics, exceptional maneuverability, Yale® iSi Technology™ and extended service intervals the versatile Yale® OS-BF, OS-EF, SS-BF and FS-BF trucks are engineered to excel by taking performance to new heights. Plus, they're backed by a full range of Yale parts and services, so you can rest easy knowing these trucks won't let you down.



THE AC ORDER SELECTOR

Highlights



0 Ergonomics

- Excellent visibility through mast
- Adjustable control handle enhances comfort
- 6" Vertically adjustable console
- Retractable side gates for easy operation

0 Productivity

- Smart-Glide™ optimizes maximum travel speed
- Wire guidance increases operator confidence
- Pallet clamp provides fast order picking
- Smart-Steer™ with automatic return-to-center

0 Cost of operation

- Low maintenance and extended service intervals
- Quick adjust mast allows easy maintenance
- CANbus control system reduces wiring
- Auto deceleration system extends brake life

0 Dependability

- Heavy duty frame for maximum strength
- O-ring face seals reduce leaks
- Stationary drive motor improves reliability
- Sealed connectors on critical connections

0 Serviceability

- Proven AC motor technology
- Yale® iSi Technology™
- Uncluttered compartment simplifies service
- Yale Gold Service and parts availability

Designed for comfort and productivity

The operator's compartment is your operator's office, so we design it with comfort and efficiency in mind. This spacious, ergonomically designed workspace is built to maximize productivity and minimize operator fatigue. Low step height, a wide cushioned floor, a foot switch position that promotes a natural stance and a one-inch thick padded rubber floor mat enhance comfort and ease of movement.

○ Built to be operator friendly

Adjustable control handle – The multi-function control handle provides improved ergonomics for operator comfort. It has a thumb actuated control for the single speed lift/lower functions on the OS-EF and variable speed lift/lower functions on the OS/SS-BF with a trigger-style horn button on both.

Optional operator adjustable console

Vertically Adjustable Console is optional on all models and offers 6" of vertical height adjustment to accommodate a wide range of operators, while the optional Console-Mounted Fan provides upper body ventilation for improved comfort.

Retractable side gates are gas spring assisted for easy one hand operation. They offer side protection while the ease of operation provides quick access to and from the operator's compartment. Side gate interlock switches are provided to disable lift/lower and traction control while side gates are raised.

Engineered with clear vision – seeing where you're going and what you're doing is the most important part of operating a lift truck, so we've designed the Yale mast for excellent visibility. An optional safety glass windshield provides maximum unobstructed visibility and prevents contact with moving mast components.





A large safety glass windshield provides maximum unobstructed visibility. The Yale Hi-Vis mast provides smooth mast staging for stepless lifting and lowering of the mast.



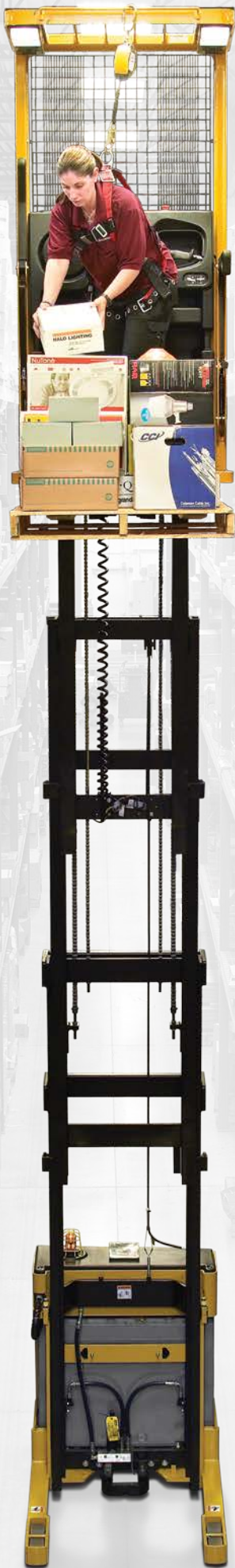
The multi-function control handle can be rotated to one of three positions for a comfortable operating stance.



The positioning of the foot switch promotes a natural and comfortable stance.



The work station features a low step height, wide cushioned floor and a one-inch thick padded rubber floor mat for supportive comfort.

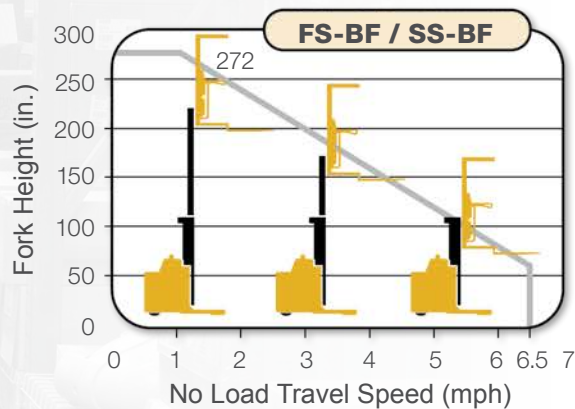


Taking performance to new heights

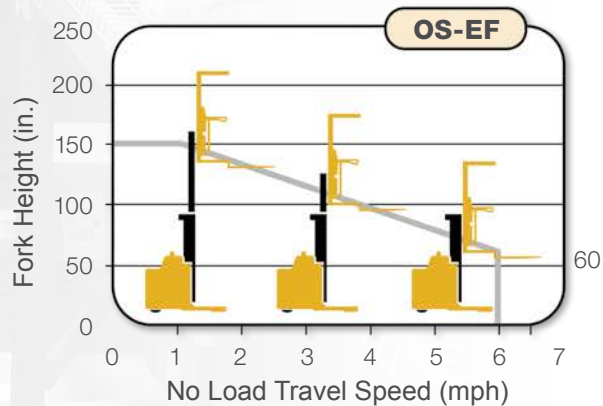
Performance is built into every Yale® lift truck. The OS030BF, OS030EF, FS030BF and SS030BF are no exception, with state-of-the-art technology that adds up to reliable performance. Technology like Smart-Glide™; a continuous height-sensing system that eliminates the “pogo” effect and optimizes the maximum travel speed at various fork heights by providing step-less speed control. Therefore the adjustment in speed smooth, gradual and is barely noticeable to the operator. Smart-Glide leads to faster travel speeds, improved acceleration and increased productivity, while maximizing safety.

Smart-Glide™ charts

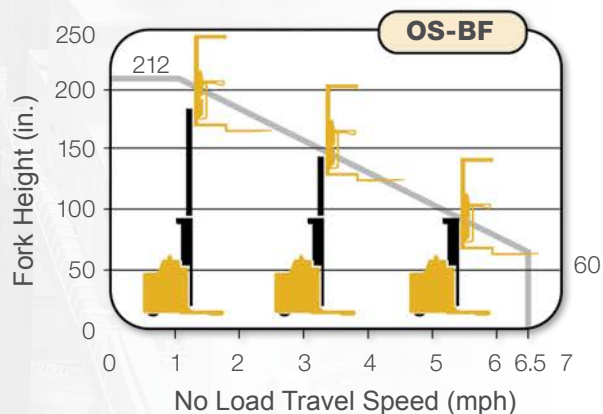
Steer angle on all models in the charts to the right are <math>< 10^\circ</math>



Travel height above 272" is optional. Capacity reduction required.



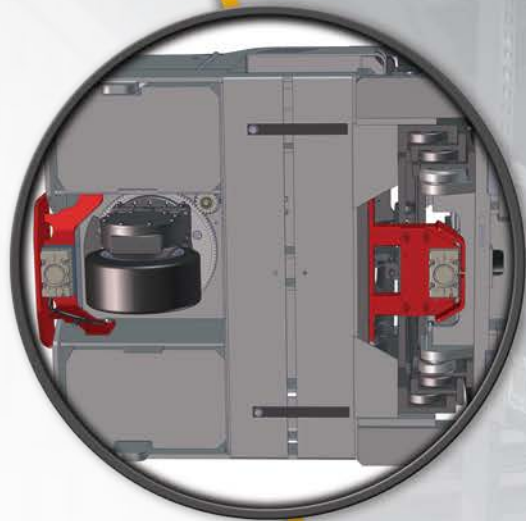
Travel height above 150" is optional. Capacity reduction required.



Travel height above 212" is optional. Capacity reduction required.

○ Wire guidance with rapid wire acquisition

Our wire guidance system lets the operator focus on the pick task without worrying about steering. It holds the wire firmly, giving the operator the security to achieve high pick rates. The supported wire frequencies include 5.2 kHz or 6.25 kHz and are user-selectable through the dash setup menu. Antennas are adjusted through truck software instead of having to manually move the antennas themselves.



○ Pallet clamp

The pallet clamp automatically centers and grips the pallet to allow fast, easy order picking. The foot-operated pedal is easily actuated for quick pallet release. For special pallet handling, we offer a pallet grab with an opening from 1/2" to 6".

The foot switch/parking brake release is conveniently located in a position that allows the operator to stand naturally in the center of the operator's compartment in a comfortable stance.



○ Smart-Steer™ handle

The optional Smart-Steer™ provides automatic return-to-center when the handle is released and is recommended for rail guided operations. The maximum required turn of the handle is 90 degrees from center to provide a full range of truck maneuverability.



○ Steering

Standard multi-turn steering utilizes a stepper motor to provide increased sensitivity for accurate control and error detection.



FS
FURNITURE

OS ORDER
SELECTORS

STRADDLE
SS

Low cost of operation

A lift truck's cost of operation is the largest portion of dollars spent and includes such elements as periodic maintenance, unscheduled repairs, load wheels and brakes. The superior design of the Yale® Order Selectors helps lower the overall operating cost. Extended maintenance intervals, longer brake and tire life all play a part in lowering the overall operating costs. Commutating brushes are eliminated with the use of the AC traction and hoist motors. The brushless design of the traction, hoist and steer motors provides improved reliability and extended maintenance intervals.

○ Adjustable mast

Side thrust adjustable mast allows the technician to quickly and easily adjust all mast channel rollers in the field to compensate for wear. Adjustment can be accomplished without special tools or mast disassembly. Trunnion mounted mast allows for easy mast removal saving both time and money.

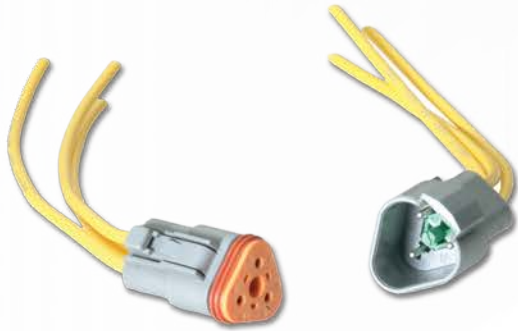
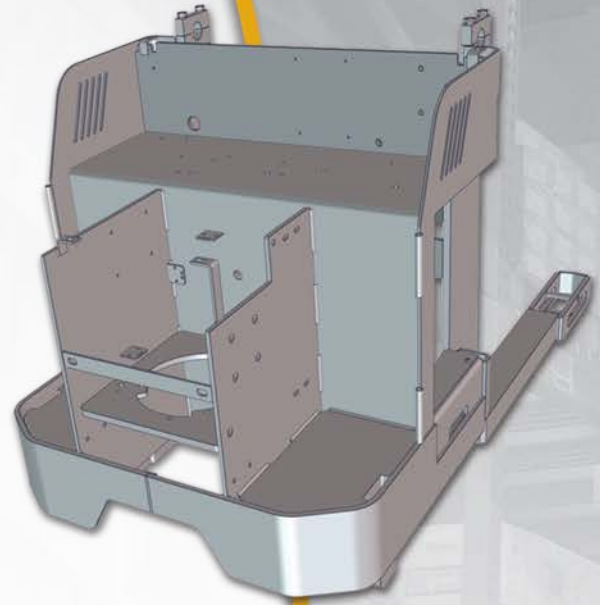
○ Mast features

Dual hoist cylinders are designed to provide smooth staging transitions in lift and lower, creating a more stable environment for the operator and load. Most other order selectors experience channel slamming as the mast is raised. Masts are trunnion-mounted which distributes load forces evenly to the frame.



Dependability

Yale® Order Selectors are designed and manufactured to be among the most dependable trucks in the industry today. The heavy-duty frame uses heavy gauge plate and bar stock, electrically welded for maximum strength and rigidity. The outriggers are welded to the frame to create a rugged rolling chassis. The drive unit mounting plate utilizes 5/8" thick steel for maximum rigidity of the drive unit. Push-in wire harness retention points reduce cable stretch and movement for added dependability.



□ Designed for longevity

- All critical harness connections utilize sealed connectors
- Solid state devices eliminate the use of potentiometers
- Drip loops incorporated to keep condensation away from connectors for added reliability
- CANbus control system reduces wiring and improves diagnostic capabilities



FS
FURNITURE

OS ORDER

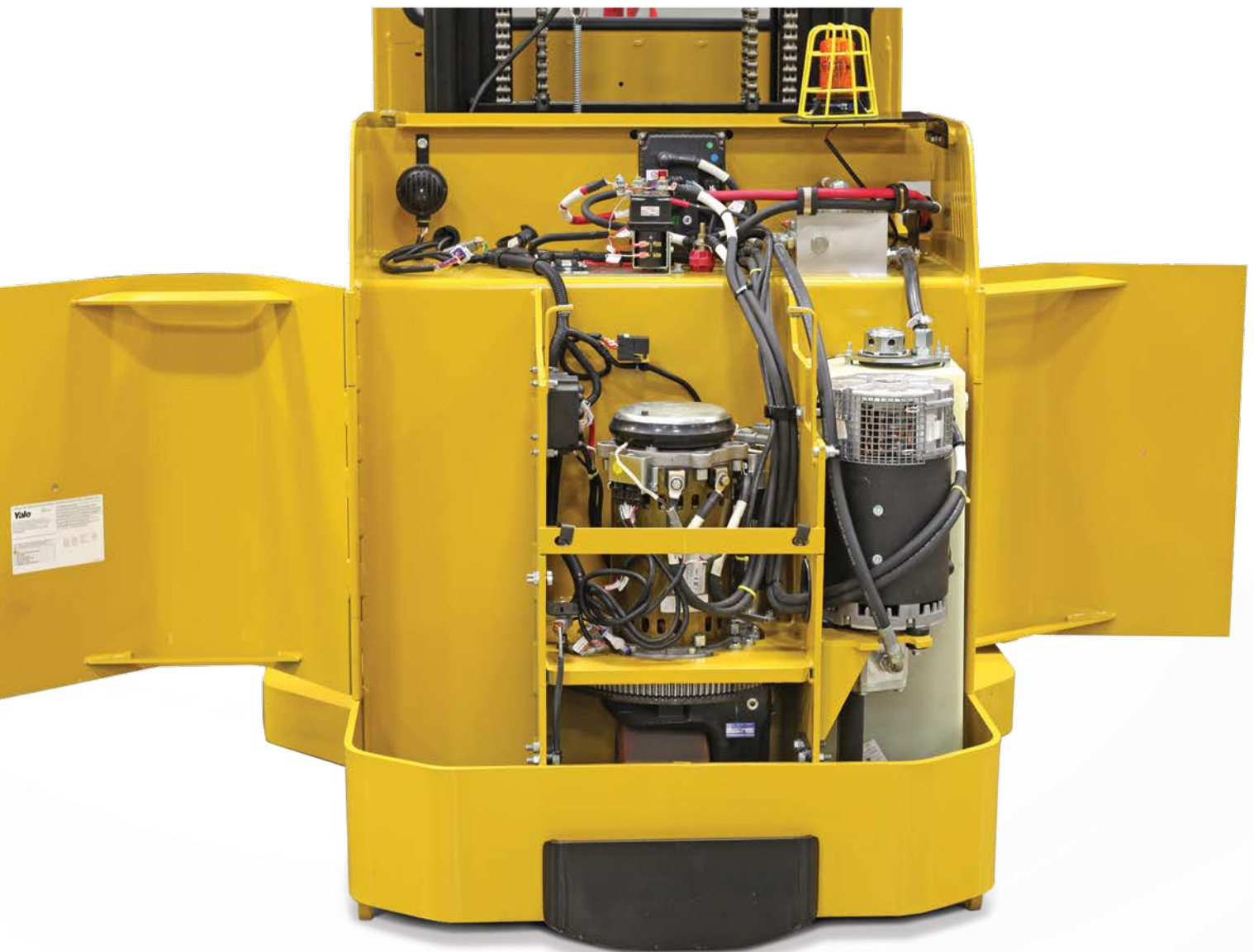
SELECTORS

STRADDLE

SS

Service made simple

Yale® trucks are designed for maximum uptime. However, when they do need maintenance, we've engineered them to be simple and convenient to service. From the use of solid-state devices and digital communications to AC motor technology, all backed by Yale Gold Service, these trucks are designed to simplify and reduce maintenance. Fast mast adjustment allows for quick and easy adjustment of all mast channel rollers. All trucks come with a 12-month / Unlimited Hours Full Truck Warranty, a 3 Years / 6,000 Hour Powertrain Warranty and a Lifetime Frame Warranty.



○ Uncluttered access

The swing-out compartment doors reveal an uncluttered, well laid out compartment making servicing easier. Stationary drive motor eliminates powercable flexing, improving cable reliability.

○ Battery compartment

The battery compartment is equipped with 2-1/2" diameter rollers riding on ball bearings that are sealed to resist corrosion from battery acid. The rollers are individually replaceable and lift out quickly and easily with no tools required.

Yale® iSi Technology™ incorporates a common control system with consistent functionality across the warehouse product line. The Integrated Smart Interface utilizes the same software, diagnostic codes and functionality for the main warehouse trucks creating commonality for users, supervisors and service personnel. The system offers full customization to allow a user to properly match the trucks' performance with the skill of the operator.



□ On-board diagnostics

- Graphic LCD multifunction display with back lighting
- Five LED status indicators and a beeper for warnings
- Four operator selectable programmable performance modes
- Passwords for operators, supervisors and service technicians (up to 100 unique 5 digit passwords)
- Traction, lift and total truck hours
- Truck inspection checklist

Supporting customers With world-class parts and service

Our Guaranteed Availability Program (G.A.P.) ensures that parts that are normally required in the first 2 years of operation will be available from your Yale® parts dealer within 24 hours or they are free. With four Parts Distribution Centers strategically located around the world, we provide a full range of original equipment and aftermarket parts that maintain our customers' uptime.*

We also take that commitment into the field with Yale's ProTech® Certification training program, available to our dealers' technicians. The ProTech® technical training program provides both systems level as well as product specific education to ensure lift trucks are repaired right the first time.



*Within the terms, rules and guidelines of the program, which can be provided by the dealer. The G.A.P. covers current Yale production units manufactured in U.S.A. (and our Order Selector). Program may be discontinued, at the sole discretion of Yale Materials Handling Corporation, at any time.

Four model configurations to meet your application needs



OS030EF

STANDARD DUTY COUNTERBALANCE

Heights to 240"

24V system

AC drive and DC hoist

Single lift speed control

Maximum travel speed: 6 mph

Maximum lift speed: 40 ft/min

Maximum lower speed: 52 ft/min

OS030BF

HEAVY DUTY COUNTERBALANCE

Heights to 300"

24V system (optional 36V)

AC drive and optional AC hoist

Variable lift speed control

Maximum travel speed: 6.5 mph

Maximum lift speed: 67 ft/min

Maximum lower speed: 80 ft/min

FS FURNITURE
SELECTORS
SS STRADDLE
ORDER
OS



SS030BF

STRADDLES LOADS

Heights to 360"

24V system (optional 36V)

AC drive and optional AC hoist

Variable lift speed control

Maximum travel speed: 6.5 mph

Maximum lift speed: 67 ft/min

Maximum lower speed: 80 ft/min

FS030BF

FURNITURE SELECTOR

Heights to 360"

24V system (optional 36V)

AC drive and DC hoist

Variable lift speed control

Maximum travel speed: 6.5 mph

Maximum lift speed: 67 ft/min

Maximum lower speed: 80 ft/min

The Yale experience

With Yale, you know you're getting more than just a truck. You're getting the complete Yale experience. It's the promise we make that goes beyond our products, and our commitment to support you with the best service in the industry.



Dealer Network - Yale customers have direct access to the best forklift products and services through our extensive, independent dealer network, featuring 340 worldwide dealer locations (225 in the Americas) with an average of more than 25 years of experience in materials handling.



Financial Services - Yale® Financial Services specializes in financing your lift truck needs. Our programs make it easy to acquire the use of a lift truck or an entire fleet.



Fleet Management - Even if you operate other brands, we can manage your maintenance and replacement plan. We can offer complete fleet analysis, fleet history summary and a cost-effective proposal for replacement and scheduled maintenance.



Innovations - One size doesn't always fit all. Yale has engineered a variety of truck modifications to meet the ever-changing needs of its customers and their changing applications. In addition to standard and optional truck features, Yale offers an impressive list of special truck enhancements designed to increase your productivity.



Operator Training - Proper education in operating lift trucks minimizes the risk of injuries due to accidents while increasing productivity. Yale offers OSHA compliant materials that support the training of qualified operators.



Replacement Parts - Your authorized Yale® Lift Truck dealer offers genuine Yale parts and quality parts for other makes (PREMIER® Parts) as well as service programs - all designed to keep your trucks running efficiently and cost-effectively.



Rental - Long-term rental can provide flexibility for equipment and term tailored to your operation, fixed cost, maintenance and maximum uptime without major capital investment. Coupled with Yale dealers' extensive short term rental fleets, businesses can meet peak production or seasonal requirements while keeping their fleets sized for their everyday needs.



□ Delivering total customer satisfaction through operational excellence

Yale's unique relationship with our customers is a product of our total customer satisfaction commitment combined with world-class manufacturing. Yale's goal is to anticipate the needs of every customer and address them with lift trucks that deliver the performance, value and dependability our customers demand.




For more information, or to find your nearest Yale® dealer, go to Yale.com.



YALE MATERIALS HANDLING CORPORATION

P.O. Box 7367, Greenville, NC 27835-7367

www.yale.com

Yale is a Registered Trademark and  is a Registered Copyright. ©Yale Material Handling Corporation 2013. All Rights Reserved.

Manufactured in our own ISO 9001 and 14001 Registered Facilities

2477B - 7/13 All trucks shown with optional equipment.