



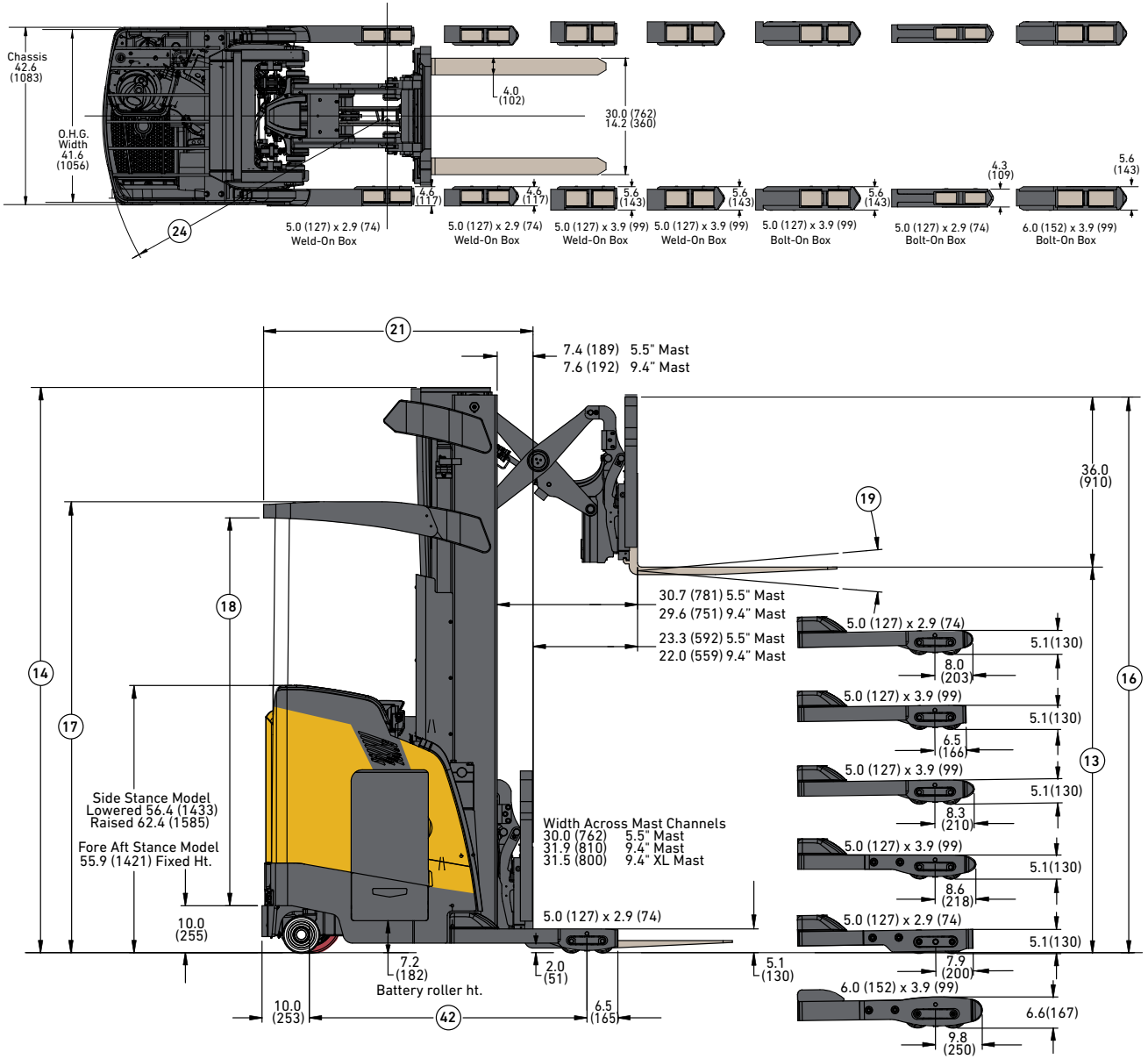
NR/NDR 030-045EC

SPEC SHEET

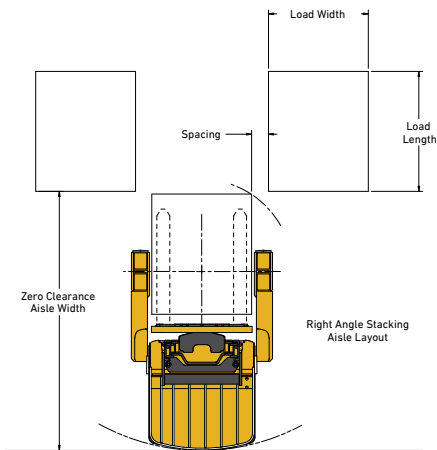
Pantograph
reach truck

3,000-4,500 lbs.

TRUCK DIMENSIONS - NR035-045EC



Circled truck dimensions correspond to the line numbers in the General Specifications chart. Dimensions are listed in inches (millimeters).



Right angle aisle stacking

NR035-040EC - 5.5" MAST

14.25" Battery compartment and 42" ID
3 Stage - 4" between loads

Pallet length (inches)	Pallet width (inches)			
	36	40	44	48
36	85	85	85	85
40	87	87	86	86
44	92	91	91	90
48	96	96	95	95

Subtract 1" if without sideshift
Add 2" for 16.25" battery compartment

NR040-045EC - 9.4" MAST

16.25" Battery compartment and 42" ID
3 Stage - 4" between loads

Pallet length (inches)	Pallet width (inches)			
	36	40	44	48
36	88	88	88	88
40	92	92	91	91
44	97	96	96	96
48	101	101	100	100

Subtract 1" for without sideshift
Add 2" for 18.25" battery compartment (NR045EC only)
Add 5" for 21.25" battery compartment (NR045EC only)

GENERAL SPECIFICATIONS - NR035-045EC

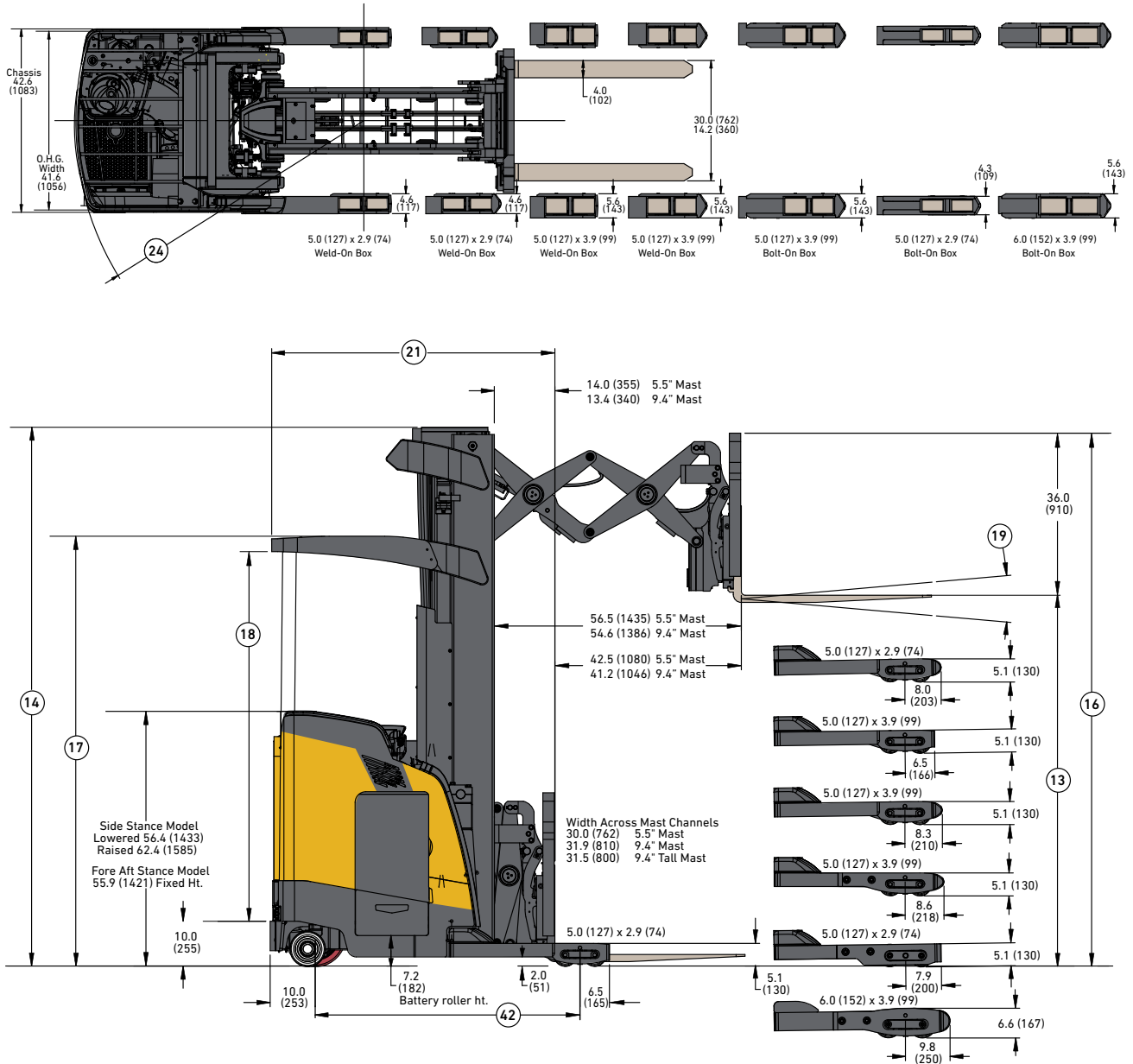
GENERAL	1	Manufacturer name		Yale		Yale		Yale		
	2	Model		NR035EC		NR040EC		NR045EC		
	3	Wheel base designation *		SWB		SWB		SWB		
	4	Rated capacity	lb. (kg)	3500 (1588)		4000 (1814)		4500 (2041)		
	5	Load center	Distance	in. (mm)		24 (610)				
	6	Power type	Electric, diesel, LPG				Electric - 36V			
	7	Operator type				Stand				
	8	Tire type	Load/caster/drive				Poly/Poly/Poly			
	9	Wheels, number load/drive (x=driven)				4 / 2 (1x)				
WT.	10	Truck weight, without battery (approximate)		lb.		5400		5930		
	12	Axle loading with assembly retracted (front/rear) **		lb.		6874/4375		7459/4290 8546/4228		
DIMENSIONS	13	Height	Standard lift (TOF)	in. (mm)						
	14		Standard mast lowered (OALH)	in. (mm)						
	15		Freelift (TOF)	in. (mm)						
	16		Standard mast extended w/LBR	in. (mm)				See mast table		
	17		Top of OHG	in. (mm)						
	18		Operator clearance	in. (mm)						
	19	Mast tilt angle	Forward/back		degrees		3 / 4			
	20	Forks, standard (length x width x thickness)		in.		1.60 x 3.9 x 42		1.80 x 3.9 x 42 1.80 x 3.9 x 42		
	21	Headlength to face of forks	All battery compartments ***		in. (mm)				See mast table	
	22	Outrigger ID		in.				34" - 49" (1" increments)		
	23	Battery compartment size		14.25" - (LxWxH)	in.		39.0 x 14.25 x 31.5		39.0 x 14.25 x 31.5 N/A	
				16.25" - (LxWxH)	in.		39.0 x 16.25 x 31.5		39.0 x 16.25 x 31.5 39.0 x 16.25 x 31.5	
				18.25" - (LxWxH)	in.		N/A		N/A 39.0 x 18.25 x 31.5	
21.25" - (LxWxH)				in.		N/A		N/A 39.0 x 21.25 x 31.5		
24	Turning radius - min. outside		14.25" battery compartment	in.		65.6		N/A 65.6		
			16.25" battery compartment	in.		67.6		N/A 67.6		
			18.25" battery compartment	in.		N/A		N/A 68.5		
			21.25" battery compartment	in.		N/A		N/A 70.5		
25	Aisle width - zero clearance		Right angle stack				See right angle stack table			
26	Stability		Comply with ANSI				YES			
PERFORMANCE	TRAVEL SPEED			STANDARD	OPTIONAL	STANDARD	OPTIONAL	STANDARD	OPTIONAL	
	28	Rearward (chassis first)	Empty/RL	mph	7.5/7.0	N/A	7.5/7.0†	N/A	7.5/7.0 † 8.0/7.0 †	
	29	Forward (forks first)	Empty/RL	mph	6.6/5.8	N/A	6.6/5.8 †	N/A	6.6/5.8 † 6.8/5.8 †	
	LIFT SPEED ****			STANDARD	OPTIONAL	STANDARD	OPTIONAL	STANDARD	OPTIONAL	
	31	Empty		ft/min	130	N/A	130	150	150 175	
	31a	1,000 lb.		ft/min	110	N/A	110	133	133 150	
	32	2,000 lb.		ft/min	95	N/A	95	115	115 130	
	33	3,000 lb.		ft/min	78	N/A	78	100	100 115	
	34	3,500 lb.		ft/min	75	N/A	75	87	87 105	
	35	4,000 lb.		ft/min	N/A	N/A	70	83	83 100	
36	4,500 lb.		ft/min	N/A	N/A	N/A	N/A	80 95		
37	Lowering speeds		Empty ****	ft/min		110		N/A 110		
			RL****	ft/min		110		N/A 110		
38				ft/min		110		N/A 110		
WHEELS & TIRES	39	Size - front load wheels, standard				5 x 3.9		5 x 3.9 5 x 3.9		
	41	Size, standard - drive tire/dual casters						13.5 x 5.5 / 7.9 x 2.2		
	42	Wheelbase		14.25" battery compartment	in.		55.6		N/A 55.6	
				16.25" battery compartment	in.		57.6		N/A 57.6	
				18.25" battery compartment	in.		N/A		N/A 58.5	
				21.25" battery compartment	in.		N/A		N/A 60.5	
43	Brakes		Service/parking (method of control)				Foot / auto			
44			Service/parking (method of operation)				Regen / spring apply (electric release)			
ELECTRIC	45	Battery type						Lead acid		
	46	Traction motor rating (60 minute rating)		hp (kw)				8.9 (6.6)		
	47	Hoist motor rating (5 minute rating)		hp (kw)				29.2 (21.8)		
	48	Traction motor control method						Transistor		
	49	Hoist motor control method						Transistor		
	50	Number of speeds						Infinitely variable		

* Short or long wheelbase is for double reach only. LWB for double reach masts 332" and below
 ** Static with rated load and max. wt. battery
 *** Includes integral sideshift, subtract 1" for without sideshift
 **** Lift and lower speeds reduced for UL 'EE'

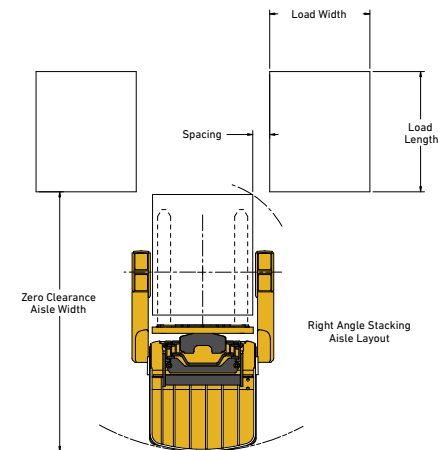
† Travel speed will be reduced to 7.5 / 7.0 mph (empty / rated load) with MFHs above 341" in the forks trailing direction. Travel speed will be reduced to 6.6 / 5.8 mph (empty / rated load) with MFHs above 341" in the forks leading direction. Travel speed is reduced to 7.0mph for loads 2500lbs and greater in the forks trailing direction. Travel speed is reduced to 5.8mph for loads 2500lbs and greater in the forks leading direction.

†† High speed lowering and high speed lift are separate options
 SWB = short wheel base; LWB = long wheel base

TRUCK DIMENSIONS - NDR030-035EC



Circled truck dimensions correspond to the line numbers in the General Specifications chart. Dimensions are listed in inches (millimeters).



Right angle aisle stacking

NDR030EC - 5.5" MAST

14.25" Battery compartment and 42" ID
3 Stage - 6" between loads

Pallet length (inches)	Pallet width (inches)			
	36	40	44	48
36	87	86	86	86
40	91	90	90	89
44	96	95	95	94
48	100	100	99	99

Sideshift is standard on double reach
Add 2" for 16.25" battery compartment

NDR030-035EC - 9.4" MAST

16.25" Battery compartment and 42" ID
3 Stage - 6" between loads

Pallet length (inches)	Pallet width (inches)			
	36	40	44	48
36	92	91	91	90
40	96	96	95	95
44	101	100	100	99
48	105	105	104	104

Sideshift is standard on double reach
Add 2" for 18.25" battery compartment (NDR035EC only)
Add 5" for 21.25" battery compartment (NDR035EC only)

GENERAL SPECIFICATIONS NDR030-035EC

GENERAL	1	Manufacturer name		Yale				Yale			
	2	Model		NDR030EC				NDR035EC			
	3	Wheel base designation *		LWB	SWB	LWB	SWB	LWB	SWB		
	4	Rated capacity		lb. (kg)		3000 (1361)		3500 (1588)			
	5	Load center	Distance	in. (mm)		24 (610)					
	6	Power type	Electric, diesel, LPG		Electric - 36V						
	7	Operator type		Stand							
	8	Tire type	Load/caster/drive		Poly/Poly/Poly						
	9	Wheels, number load/drive (x=driven)		4 / 2 (1x)							
WT.	10	Truck weight, without battery (approximate)		lb.		5650		6190			
	12	Axle loading with assembly retracted (front/rear) **		lb.		6409/4589		7578/4458			
DIMENSIONS	13	Height	Standard lift (TOF)	in. (mm)	See mast table						
	14		Standard mast lowered (OALH)	in. (mm)							
	15		Freelift (TOF)	in. (mm)							
	16		Standard mast extended w/LBR	in. (mm)							
	17		Top of OHG	in. (mm)							
	18		Operator clearance	in. (mm)							
	19	Mast tilt angle	Forward/back	degrees	3 / 4						
	20	Forks, standard (length x width x thickness)		in.		1.60 x 3.9 x 42		1.60 x 3.9 x 42			
	21	Headlength to face of forks	All battery compartments ***		in. (mm)		See mast table				
	22	Outrigger ID		in.		34" - 49" (1" increments)					
	23	Battery compartment size		14.25" - (LxWxH)	in.	39.0 x 14.25 x 31.5		N/A			
				16.25" - (LxWxH)	in.	39.0 x 16.25 x 31.5		39.0 x 16.25 x 31.5			
				18.25" - (LxWxH)	in.	N/A		39.0 x 18.25 x 31.5			
21.25" - (LxWxH)				in.	N/A		39.0 x 21.25 x 31.5				
24	Turning radius - min. outside		14.25" battery compartment	in.	5.5" MAST	9.4" MAST	9.4" MAST				
			16.25" battery compartment	in.	70.6	N/A	N/A	N/A	N/A		
			18.25" battery compartment	in.	72.6	N/A	72.6	68.5	72.6	68.5	
			21.25" battery compartment	in.	N/A		74.6	70.5			
25	Aisle width - zero clearance		Right angle stack		See right angle stack table						
26	Stability		Comply with ANSI		YES						
PERFORMANCE	TRAVEL SPEED			STANDARD	OPTIONAL	STANDARD	OPTIONAL	STANDARD	OPTIONAL		
	28	Rearward (chassis first)	Empty/RL	mph	7.5/7.0 †	N/A	7.5/7.0 †	8.0/7.0 †			
	29	Forward (forks first)	Empty/RL	mph	6.6/5.8 †	N/A	6.6/5.8 †	6.8/5.8 †			
	LIFT SPEED ****			STANDARD	OPTIONAL	STANDARD	OPTIONAL	STANDARD	OPTIONAL		
	31	Empty	ft/min	130	150	150	175				
	31a	1,000 lb.	ft/min	110	133	135	150				
	32	2,000 lb.	ft/min	95	115	120	130				
	33	3,000 lb.	ft/min	78	100	103	115				
	34	3,500 lb.	ft/min	N/A	N/A	95	95				
	35	4,000 lb.	ft/min	N/A	N/A	N/A	N/A				
36	4,500 lb.	ft/min	N/A	N/A	N/A	N/A					
37	Lowering speeds		Empty ****	ft/min	110	140	140	160 ††			
			RL ****	ft/min	110	140	140	160 ††			
39	Size - front load wheels, standard		5 x 2.9				5 x 2.9				
41	Size, standard - drive tire/dual casters		13.5 x 5.5 / 7.9 x 2.2								
WHEELS & TIRES	42	Wheelbase		14.25" battery compartment	in.	5.5" MAST	9.4" MAST	9.4" MAST			
				16.25" battery compartment	in.	60.6	N/A	N/A	N/A	N/A	
				18.25" battery compartment	in.	62.6	N/A	62.6	58.5	62.6	58.5
				21.25" battery compartment	in.	N/A		64.6	60.5		
	43	Brakes		Service/parking (method of control)		Foot / Auto					
44	Service/parking (method of operation)		Regen / spring apply (electric release)								
ELECTRIC	45	Battery type		Lead acid							
	46	Traction motor rating (60 minute rating)		hp (kw)		8.9 (6.6)					
	47	Hoist motor rating (5 minute rating)		hp (kw)		29.2 (21.8)					
	48	Traction motor control method		Transistor							
	49	Hoist motor control method		Transistor							
50	Number of speeds		Infinitely variable								

* Short or long wheelbase is for double reach only.
LWB for double reach masts 332" and below
** Static with rated load and max. wt. battery
*** Includes integral sideshift, subtract 1" for without sideshift
**** Lift and lower speeds reduced for UL 'EE'

† Travel speed will be reduced to 7.5 / 7.0 mph (empty / rated load) with MFHs above 341" in the forks trailing direction. Travel speed will be reduced to 6.6 / 5.8 mph (empty / rated load) with MFHs above 341" in the forks leading direction. Travel speed is reduced to 7.0mph for loads 2500lbs and greater in the forks trailing direction. Travel speed is reduced to 5.8mph for loads 2500lbs and greater in the forks leading direction.

†† High speed lowering and high speed lift are separate options
SWB = short wheel base; LWB = long wheel base

NR035-040EC & NDR030EC MAST DIMENSIONS (5.5" STANDARD)

Overall lowered ht.	Max. fork height (TOF)	Free-lift (TOF)	Overall height (mast extended) highest point w/36" LBR	Overhead guard height to top	Operator clearance	Head length (length to face of forks)			
						14.25"		16.25"	
in. (mm)	in. (mm)	in. (mm)	in. (mm)	in. (mm)	in. (mm)	Single reach	Double reach	Single reach	Double reach
3-STAGE FULL FREE-LIFT (FFL) VISTA™ MAST									
87 (2210)	191 (4851)	48 (1219)	230 (5842)	87 (2212)	74.3 (1887)	52.16	57.83	54.21	59.88
91 (2311)	203 (5156)	52 (1321)	242 (6147)	91 (2314)	78.3 (1989)	52.16	57.83	54.21	59.88
95 (2413)	212 (5385)	56 (1422)	251 (6375)	95 (2416)	82.3 (2090)	52.16	57.83	54.21	59.88
101 (2565)	227 (5766)	62 (1575)	266 (6756)	95 (2416)	82.3 (2090)	52.16	57.83	54.21	59.88
107 (2718)	242 (6147)	68 (1727)	281 (7137)	95 (2416)	82.3 (2090)	52.16	57.83	54.21	59.88
110 (2794)	251 (6375)	71 (1803)	290 (7366)	95 (2416)	82.3 (2090)	52.16	57.83	54.21	59.88
119 (3023)	272 (6909)	80 (2032)	311 (7899)	95 (2416)	82.3 (2090)	52.16	57.83	54.21	59.88
125 (3175)	287 (7290)	86 (2184)	325 (8255)	95 (2416)	82.3 (2090)	52.16	57.83	54.21	59.88
131 (3327)	302 (7671)	92 (2337)	340 (8636)	95 (2416)	82.3 (2090)	52.16	57.83	54.21	59.88

NR040-045EC & NDR030-035EC MAST DIMENSIONS (9.4" PREMIUM)

Overall lowered ht.	Max. fork height (TOF)	Free-lift (TOF)	Overall height (mast extended) highest point w/36" LBR	Overhead guard height to top	Operator clearance	Head length (length to face of forks)					
						16.25"		18.25"		21.25"	
in. (mm)	in. (mm)	in. (mm)	in. (mm)	in. (mm)	in. (mm)	Single reach	Double reach	Single reach	Double reach	Single reach	Double reach
3-STAGE FULL FREE-LIFT (FFL) VISTA™ MAST											
95 (2413)	210 (5334)	59 (1509)	246 (6248)	95 (2416)	82.3 (2090)	57.20	62.91	59.17	64.92	62.12	67.91
107 (2718)	241 (6121)	71 (1814)	277 (7036)	95 (2416)	82.3 (2090)	57.20	62.91	59.17	64.92	62.12	67.91
110 (2794)	250 (6350)	74 (1890)	286 (7264)	95 (2416)	82.3 (2090)	57.20	62.91	59.17	64.92	62.12	67.91
119 (3023)	272 (6909)	83 (2118)	308 (7823)	95 (2416)	82.3 (2090)	57.20	62.91	59.17	64.92	62.12	67.91
125 (3175)	287 (7290)	89 (2271)	323 (8204)	95 (2416)	82.3 (2090)	57.20	62.91	59.17	64.92	62.12	67.91
131 (3327)	302 (7671)	95 (2423)	338 (8585)	95 (2416)	82.3 (2090)	57.20	62.91	59.17	64.92	62.12	67.91
140 (3556)	321 (8153)	104 (2652)	357 (9068)	95 (2416)	82.3 (2090)	57.20	62.91	59.17	64.92	62.12	67.91
143 (3632)	332 (8433)	107 (2728)	368 (9347)	95 (2416)	82.3 (2090)	57.20	62.91	59.17	64.92	62.12	67.91
149 (3785)	341 (8661)	113 (2880)	377 (9576)	95 (2416)	82.3 (2090)	57.20	62.91	59.17	64.92	62.12	67.91
157 (3988)	368 (9347)	121 (3084)	404 (10262)	95 (2416)	82.3 (2090)	57.20	62.91	59.17	64.92	62.12	67.91

NR045EC & NDR035EC MAST DIMENSIONS (9.4" XL PREMIUM)

Overall lowered ht.	Max. fork height (TOF)	Free-lift (TOF)	Overall height (mast extended) highest point w/36" LBR	Overhead guard height to top	Operator clearance	Head length (length to face of forks)			
						18.25"		21.25"	
in. (mm)	in. (mm)	in. (mm)	in. (mm)	in. (mm)	in. (mm)	Single reach	Double reach	Single reach	Double reach
3-STAGE FULL FREE-LIFT (FFL) VISTA™ MAST									
140 (3556)	321 (8153)	104 (2652)	357 (9068)	95 (2416)	82.3 (2090)	59.17	64.92	62.12	67.91
143 (3632)	332 (8433)	107 (2728)	368 (9347)	95 (2416)	82.3 (2090)	59.17	64.92	62.12	67.91
149 (3785)	341 (8661)	113 (2880)	377 (9576)	95 (2416)	82.3 (2090)	59.17	64.92	62.12	67.91
157 (3988)	368 (9347)	121 (3084)	404 (10262)	95 (2416)	82.3 (2090)	59.17	64.92	62.12	67.91
170 (4318)	401 (10185)	134 (3414)	437 (11100)	95 (2416)	82.3 (2090)	59.17	64.92	62.12	67.91
179 (4547)	422 (10719)	143 (3642)	458 (11633)	95 (2416)	82.3 (2090)	59.17	64.92	62.12	67.91
188 (4775)	444 (11278)	152 (3871)	480 (12192)	95 (2416)	82.3 (2090)	59.17	64.92	62.12	67.91

BATTERY AND COMPARTMENT SPECIFICATIONS

Battery specifications

Battery comp. size	Batt. voltage	NR035EC	NR040EC	NDR030EC	NR045EC	NDR035EC	Maximum 6 Hr Rate		Battery compartment dimensions						Battery dimensions			Minimum batt. wt.	Maximum batt. wt.			
									"X" max.		"Y" max.		"Z" max.		"X" max.		"Y" max.			"Z" max.		
							AH	KWH	in.	(mm)	in.	(mm)	in.	(mm)	in.	(mm)	in.	(mm)	in.	(mm)	in.	(mm)
14.25"	36	X	X	X	N/A	N/A	775	27.2	39	990	14.25	362	31.5	800	38.8	985	14	356	31	788	1600 (726)	2100 (953)
16.25"	36	X	X	X	X	X	930	32.6	39	990	16.25	413	31.5	800	38.8	985	16	406	31	788	1850 (839)	2350 (1066)
18.25"	36	N/A	N/A	N/A	X	X	1085	38.1	39	990	18.25	464	31.5	800	38.8	985	18	457	31	788	2200 (998)	2800 (1270)
21.25"	36	N/A	N/A	N/A	X	X	1240	43.5	39	990	21.25	540	31.5	800	38.8	985	21	533	31	788	2500 (1134)	3100 (1406)

Battery connector: 24V - Red; 36V - Gray; position "B", lead length 16"

Manufacturers standard cable size not to exceed 4/0 AWG

Battery compartment is designed to accommodate standard wet cell batteries with fixed lifting eyes and no cover.

Contact Applications Engineering to verify compatibility/fit when using maintenance free, covered or non-standard batteries.

FEATURES LIST - NR035-045EC, NDR030-035EC

PERFORMANCE	STD	OPT
36-Volt battery (includes 350 amp gray battery connector)	●	
AC traction, lift/lower and steering	●	
Transistor controller with regenerative braking	●	
Electric power steering	●	
4 Independent fully programmable performance modes - Programmable traction speed and acceleration, lift and lower speeds	●	
Load transport position		●
Fork camera (requires 9.4" mast)		●
Laser level line		●
High speed lift (NR040EC, NDR030EC)		●
High speed lift/travel (NR045EC, NDR035EC)		●
High speed lower (requires high speed lift/travel)		●
Shelf height selector		●
Return to set tilt		●
Return to center sideshifting		●
Load weight display		●
Fork height display		●
Speed sensitive steering		●
DRIVE	STD	OPT
5" x 3.9" poly articulating tandem load wheels - high load compound (std on NR035-045EC)	●	
5" x 2.9" poly articulating tandem load wheels - high load compound (std on NDR030-035EC)	●	
Dual articulating polyurethane caster wheels	●	
XL-AC™ drive tire – 13.5" x 5.5"	●	
Steered caster		●
Various sizes of load wheels		●
Various drive tire compounds		●
Tapered load wheel boxes		●
Bolt-on load wheel boxes		●
LIFT	STD	OPT
91"/203"/52"–(5.5") 3-Stage FFL mast (NR035-040EC, NDR030EC)	●	
95"/210"/59"–(9.4") 3-Stage FFL mast (NR045EC, NDR035EC)	●	
Tilting carriage (3° fwd, 4° back)	●	
Single reach mast with 33.5" wide class II with integral sideshift (hook type carriage) (std on NR035-045EC)	●	
Double reach mast with 33.5" wide class II with integral sideshift (hook type carriage) (std on NDR030-035EC)	●	
36" High load backrest extension	●	
Lift limit		●
48" High load backrest extension		●
Single reach mast without integral sideshift for standard 33.5" wide carriage (9.4") 3-Stage full free lift mast (NR040EC, NDR030EC)		●
Various mast heights for 5.5" and 9.4" masts		●
HANDLING	STD	OPT
Forks: 1.8" x 3.9" (45 mm x 100 mm) 42"(1067 mm) – class II, hook type (std on NR040-045EC)	●	
Forks: 1.6" x 3.9" (40 mm x 100 mm) 42" (1067 mm) – class II, hook type (std on NDR030-035EC and NR035EC)	●	
Fully proportional lift/lower control	●	
Control handle with simultaneous hydraulic functions	●	
Slack chain detection	●	
Reduced travel speed with carriage extended		●
Various fork lengths		●
ERGONOMICS	STD	OPT
Operator sensing system	●	
EZ Ride floor	●	
Low profile anti-fatigue floormat	●	
Adjustable armrest and backrest (sidestance operator controls only)	●	

ERGONOMICS CONTINUED	STD	OPT
Steer tiller position adjustment	●	
Low step height	●	
Padded operator compartment	●	
5" Smart display: color touchscreen	●	
Yale Smart Ride® floor (full suspension floor)		●
7" Smart display: color touchscreen		●
Operator overhead fan		●
Dual LED headlights		●
Rear LED worklight		●
Operator LED desktop light		●
OPERATION	STD	OPT
Standard construction	●	
UL classification E	●	
Sidestance operator controls	●	
Key switch start	●	
Wire mesh mast guard	●	
Automotive steering	●	
2 USB ports	●	
Static strap	●	
Electronic horn	●	
Sealed battery rollers	●	
Operator's overhead guard	●	
Rear post operator protection	●	
Power disconnect button	●	
Forward stance with aft operator control handle		●
Reverse steering		●
Clear mast guard		●
Keyless start		●
Rotary joystick (standard for cooler/freezer)		●
Battery gate interlock		●
Cooler/freezer construction (0°F to 120°F) with rubber floormat		●
SubZero freezer construction (operating temperatures -40°F to 120°F) with rubber floormat		●
SubZero freezer with heated floor and control handle (operating temperatures -40°F to 120°F) with anti-slip floorplate covering		●
UL classification EE		●
Outrigger ID - 34" to 49" in 1" Increments		●
Audible back-up and motion alarms		●
Visible amber strobe light - continuous activated		●
Impact monitor		●
Blue LED spotlights		●
RF terminal bracket		●
RF handheld scanner holder		●
12-Volt DC auxiliary power supply		●
Wire mesh on top overhead guard		●
Rear operator compartment door (SPED)		●
Yale Vision		●
Yale Reliant™ (available on NR045EC)		●
ENERGY SYSTEM	STD	OPT
Lead acid	●	
SUPPLEMENTAL	STD	OPT
Operating manual	●	

* Doors are intended to protect the operator from objects that may enter the operator's compartment but they may also slow the operator's egress in emergency situations. A review of the forklift's intended environment should be conducted before selecting a door as optional equipment.

** For 5.5" Mast Sideshift includes 7" travel (3.5" each side). Sideshift travel will be reduced to 3" total (1.5" each side) when Outrigger ID is less than 39" For 9.4" Mast Sideshift includes 8" travel (4" each side). Sideshift travel will be reduced to 4" total (2" each side) when Outrigger ID is less than 39"

About Yale



Yale Lift Truck Technologies leverages over a century of material handling experience and substantial investment in innovation to bring the most advanced technology-driven lift truck solutions to market. The company offers a full line of award-winning lift trucks, including reach trucks, order pickers, turret trucks, pallet jacks and trucks, pallet stackers, tow tractors and counterbalanced forklifts, as well as powerful operator assist solutions, proven robotics and a wide range of power sources to help customers adapt to today's demanding supply chain. Yale and its independent dealer network support these solutions with comprehensive after-sales service, parts, financing and training.

Yale Lift Truck Technologies is a trading name of Hyster-Yale Asia-Pacific Pty Ltd., a wholly owned subsidiary of Hyster-Yale Materials Handling, Inc. (NYSE:HY) which is headquartered in Cleveland, Ohio and operates globally.

MATERIALS HANDLING FOR:

Third-party logistics (3PL)

Auto parts distribution

Beverage

Cold & frozen foods

Food distribution

Food processing

Furniture & furnishings

Government

Health & pharma

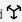
Home centers & durables

Retail & e-commerce

Yale Lift Truck Technologies | Pacific
1/23 Rowood Road
Prospect NSW 2148

Yale Lift Truck Technologies | Asia
16 Tuas Avenue 20
Singapore 638827

yale.com

© 2023 Hyster-Yale Group, Inc., all rights reserved. YALE and  are trademarks of Hyster-Yale Group, Inc. Trucks may be shown with optional equipment and/or features not available in all regions. Specifications and details in this brochure are subject to change without prior notification.