



MT30UX

SPEC SHEET

Seated Electric
Tow Tractor

3,000kg

MT30UX

The Yale® seated electric tow tractor MT30UX demonstrates intelligent ergonomics, reliable technology and energy efficient features to facilitate operational needs. The low-maintenance design promotes increased productivity and helps reduce operational costs.



PRODUCTIVITY

- High-power maintenance free AC drive motor
- Impressive pulling performance
- Seamless travel and manoeuvrability
- Rear dual-position tow coupling
- Ergonomic layout to maximise operational efficiency and comfort
- Adjustable seat and steering column
- Multi function LCD dash display
- Automatic electro-magnetic parking brake

SERVICEABILITY

- Easy access for fast and efficient servicing
- Simple, readily available components
- Computer based diagnostics not required

SAFETY & STRUCTURAL DESIGN

- Operator Presence System (OPS)
- Non-slip, uncluttered floor plate
- Drive axle design and low centre of gravity enables excellent stability
- Emergency stop button
- Audible reverse alarm
- High quality, robust components
- Low noise level

OPTIONAL FEATURES

- Battery side extraction
- Keyless key switch (password)
- Blue light and strobe light
- Rear view mirrors
- Paper document storage compartment



Easy Service Access via Back Cover




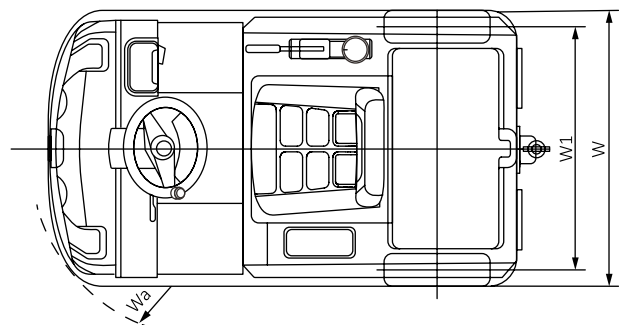
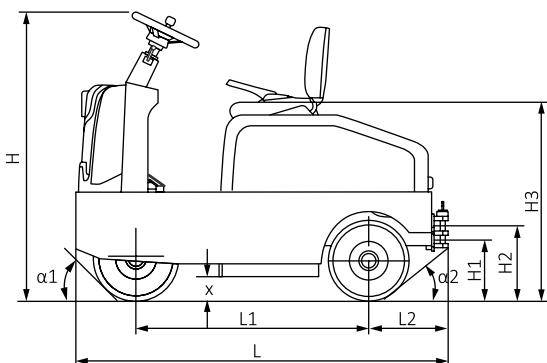
Ergonomic Operator Compartment



Informative LCD Dash Display

SPECIFICATIONS AND DIMENSIONS

| Model | Measurement | MT30UX |
|--|----------------|---|
| Power Type | | 36-Volt |
| Operator Type | | Seated |
| Rated Capacity | kg | 3000 |
| Drawbar Pull, 60min rating | N | 750 |
| Max Drawbar Pull, 5min rating | N |  |
| Wheelbase | L1 (mm) | 1055 |
| Rear Load Distance | L2 (mm) | 382 |
| Service Weight | kg | 780 |
| Axle Loading, unladen front / rear | kg | 310 / 470 |
| Front, Tyre size / type (No. of Wheels) | | 15x4.5-8 Solid (1) |
| Rear, Tyre size / type (No. of Wheels) | | 15x4.5-8 Solid (2) |
| Wheel Tread, front | mm | N/A |
| Wheel Tread, rear | W1 (mm) | 860 |
| Seat Height / STD | h3 (mm) | 910 |
| Coupling Height | h1 / h2 (mm) | 280 / 350 |
| Overall Length | L (mm) | 1720 |
| Overall Width | W (mm) | 968 |
| Overall Height (excluding cab) | H (mm) | 1270 |
| Approach Angle | $\alpha 1$ (°) | ≥ 54 |
| Departure Angle | $\alpha 2$ (°) | ≥ 37 |
| Min Ground Clearance | X (mm) | 90 |
| Turning Radius | Wa (mm) | 1490 |
| Travel Speed, unladen | km/h | 10 |
| Travel Speed, laden | km/h | 7 |
| Gradeability, laden / unladen | % | 7 / 12 |
| Service Brake / Parking Brake | | Hydraulic / Electromagnetic |
| Drive Control | | AC |
| Drive Motor Rating *S2 60 min | kW | 3 |
| Battery Ampere Hours | Ah | 250 |
| Battery Weight | kg | 202 |
| Sound level at the drivers ear according to EN / DIN 12053 | dB (A) | 68 |



About Yale



Yale Lift Truck Technologies leverages over a century of material handling experience and substantial investment in innovation to bring the most advanced technology-driven lift truck solutions to market. The company offers a full line of award-winning lift trucks, including reach trucks, order pickers, turret trucks, pallet jacks and trucks, pallet stackers, tow tractors and counterbalanced forklifts, as well as powerful operator assist solutions, proven robotics and a wide range of power sources to help customers adapt to today's demanding supply chain. Yale and its independent dealer network support these solutions with comprehensive after-sales service, parts, financing and training.

Yale Lift Truck Technologies is a trading name of Hyster-Yale Asia-Pacific Pty Ltd., a wholly owned subsidiary of Hyster-Yale Materials Handling, Inc. (NYSE:HY) which is headquartered in Cleveland, Ohio and operates globally.

MATERIALS HANDLING FOR:

3PL

Auto Parts Distribution

Beverage

Cold & Frozen Foods

Food Distribution

Food Processing

Furniture & Furnishings

Government

Health & Pharma

Home Centers

Retail & E-commerce

Yale Pacific

1/23 Rowood Road, Prospect NSW 2148


Tel: +61 (2) 9795 3800 | Fax: +61 (2) 9792 8484

Yale Asia

16 Tuas Avenue 20, Singapore 638827

Tel: +65 6863 3387 | Fax: +65 6863 3349

yale.com

© 2023 Hyster-Yale Group, Inc., all rights reserved. YALE and  are trademarks of Hyster-Yale Group, Inc. Trucks may be shown with optional equipment and/or features not available in all regions. Specifications and details in this brochure are subject to change without prior notification.