



MT30XUX

SPEC SHEET

Stand-up Electric
Tow Tractor

3,000kg

MT30XUX

The Yale® stand-up electric tow tractor MT30XUX demonstrates intelligent ergonomics, reliable technology and energy efficient features to facilitate operational needs. The low-maintenance design promotes increased productivity and helps reduce operational costs.

PRODUCTIVITY

- High-power maintenance free AC drive motor
- Impressive pulling performance, up to 5% gradeability
- European traction controller
- Seamless travel and manoeuvrability
- Rear multi-position tow coupling
- Electronically powered steering
- Multi-function display
- Dual mirrors

SERVICEABILITY

- Easy access for fast and efficient servicing
- Simple, readily available components
- Computer based diagnostics not required

SAFETY & STRUCTURAL DESIGN

- Spacious, non-slip floor plate with anti-vibration function
- Ergonomic operator compartment to maximise driver comfort and operational efficiency
- Operator Presence System (OPS)
- Emergency stop button
- Automatic electro-magnetic parking brake
- High quality, robust components
- Low noise level

OPTIONAL FEATURES

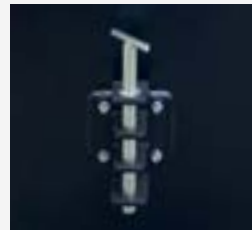
- Lithium ion battery
- Mechanical steering
- External charger
- Strobe light
- LED front working light
- Turn signals
- Tyre size and type



Spacious, Non-Slip Floor Plate



Adjustable, Ergonomic Tiller Head



Rear Multi-Position Tow Coupling



Easy Service Access via Front Cover

MT30XUX POWER PLUG TYPE



A
Power Plug



F
Power Plug



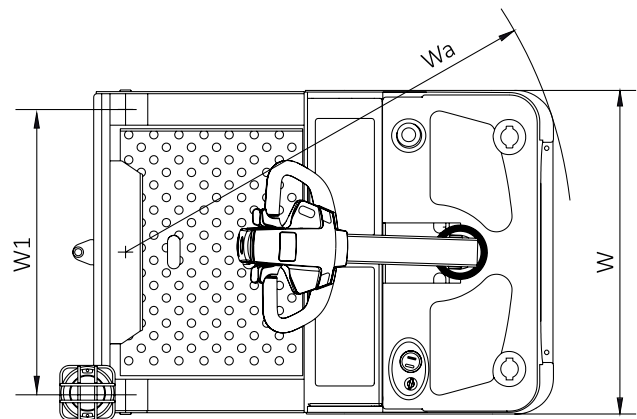
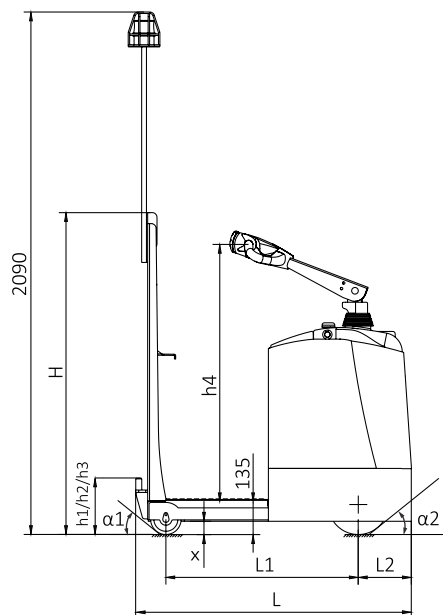
G
Power Plug



I
Power Plug

SPECIFICATIONS AND DIMENSIONS

Model	Measurement	MT30XUX
Power Type		24-Volt
Operator Type		Stand On
Rated Capacity	kg	3000
Max rated tractive force	N	3000
Drawbar Pull, 60min rating	N	750
Max Drawbar Pull, 5min rating	N	2500
Wheelbase	L1 (mm)	790
Rear Load Distance	L2 (mm)	221
Service Weight (with battery)	kg	640
Axle Loading, unladen front / rear (with battery)	kg	420 / 220
Front, Tyre size / type (No. of Wheels)		Φ250x70 Poly (1)
Rear, Tyre size / type (No. of Wheels)		Φ180x50 Poly (2)
Wheel Tread, rear	W1 (mm)	682
Tiller Height min / max	h4 (mm)	1010 / 1350
Overall Height	H	1360
Coupling Height	h1 / h2 / h3 (mm)	280 / 354 / 426
Overall Length	L (mm)	1280
Overall Width	W (mm)	773
Min Ground Clearance	X (mm)	55
Approach / Departure angle	$\alpha 1$ (°) / $\alpha 2$ (°)	≥ 16 / ≥ 35
Turning radius	Wa (mm)	1070
Aisle width	Ast (mm)	1473
Travel Speed, unladen / laden	km/h	7.1 / 7
Gradeability, laden / unladen	%	5 / 20
Service Brake / Parking Brake		Electric
Drive Control		AC
Drive Motor Rating *S2 60 min	kW	2.2kw (EPS) / 1.5kw (w/o EPS)
Battery Ampere Hours	Ah	240
Battery Weight	kg	188
Battery Size (L x W x H)	mm	750 x 170 x 570
Sound level at the drivers ear according to EN / DIN 12053	dB (A)	70



About Yale



Yale Lift Truck Technologies leverages over a century of material handling experience and substantial investment in innovation to bring the most advanced technology-driven lift truck solutions to market. The company offers a full line of award-winning lift trucks, including reach trucks, order pickers, turret trucks, pallet jacks and trucks, pallet stackers, tow tractors and counterbalanced forklifts, as well as powerful operator assist solutions, proven robotics and a wide range of power sources to help customers adapt to today's demanding supply chain. Yale and its independent dealer network support these solutions with comprehensive after-sales service, parts, financing and training.

Yale Lift Truck Technologies is a trading name of Hyster-Yale Asia-Pacific Pty Ltd., a wholly owned subsidiary of Hyster-Yale Materials Handling, Inc. (NYSE:HY) which is headquartered in Cleveland, Ohio and operates globally.

MATERIALS HANDLING FOR:

3PL

Auto Parts Distribution

Beverage

Cold & Frozen Foods

Food Distribution

Food Processing

Furniture & Furnishings

Government

Health & Pharma

Home Centers

Retail & E-commerce

Yale Pacific

1/23 Rowood Road, Prospect NSW 2148


Tel: +61 (2) 9795 3800 | Fax: +61 (2) 9792 8484

Yale Asia

16 Tuas Avenue 20, Singapore 638827

Tel: +65 6863 3387 | Fax: +65 6863 3349

yale.com

© 2023 Hyster-Yale Group, Inc., all rights reserved. YALE and  are trademarks of Hyster-Yale Group, Inc. Trucks may be shown with optional equipment and/or features not available in all regions. Specifications and details in this brochure are subject to change without prior notification.