

# GP135-155VX series

Sit-down, counterbalanced,  
ICE, pneumatic tire

13,500–15,500 lbs.



## Delivering customer satisfaction

Yale's unique relationship with our customers is a product of our customer satisfaction commitment combined with world-class manufacturing. Yale's goal is to anticipate the needs of every customer and address them with lift trucks that deliver the performance, value and dependability our customers demand.



# A leader in materials handling.

Yale has invested heavily in people, processes and capital equipment to encompass the cornerstones of quality and dependability... Innovative Design, Comprehensive Testing, Highest Quality, Advanced Components and Superior Manufacturing.

Veracity means adherence to the truth. From these origins comes the Veracitor® VX series. True to our customers. True to your application. And true to our promise of productivity. Each truck in the Veracitor® VX series of internal combustion engine lift trucks has been designed with component commonality for simplified operational maintenance, and customizable productivity packages for specific customer needs.



# Designed for **comfort.**

Operator comfort is enhanced by the increased foot space in the well designed operator's compartment. The isolated powertrain reduces noise and vibration minimizing operator fatigue and increasing operator productivity throughout a shift. Enhanced operator visibility is available through the Yale® Hi-Vis™ mast. An optional cab is available with or without air conditioning.

The adjustable steer column accommodates operators of all sizes. Innovative designs like our optimized step height, increased shoulder clearance, easy right-side access and ergonomically designed controls make this truck an operator favorite.

Rear driving comfort has been enhanced with a convenient optional rear drive handle (complete with horn button) optimally placed on the rear overhead guard leg. The rear drive handle, in conjunction with an optional swivel seat, creates a comfortable and secure work environment.

A low step height provides easy entry and exit. The standard, cowl-mounted manual hydraulic control levers also allow easy access for right-side entry/exit. The overhead guard design also offers plenty of headroom with visibility even at higher fork heights.

## Electro-hydraulic controls

The optional Yale® Accutouch electro-hydraulic control offers an enhanced ergonomic design with shorter reach and throw and considerably less effort required to operate versus common hydraulic levers. The fully-adjustable armrest is contoured for maximum comfort and flexibility to minimize muscle and joint strain.



*Adjustable  
steer column*



*Low step height*



*Optional rear  
drive handle*



*Ergonomic hydraulic  
controls*

- Reduced noise and vibration
- Adjustable steer column
- Increased shoulder clearance
- Low step height
- Electro-hydraulic controls



- Fast travel and mast speeds
- Enhanced controllability
- High residual capacities
- Optional on-demand hydraulics
- Longer uptime

## Yale® Flex Performance Technology™

The innovative Yale® Flex Performance Technology™ offers the flexibility to maximize fuel economy or productivity to match application needs. Available on the PSI 4.3L engine or the Kubota 3.8L high output turbo diesel engine, it features selectable performance modes that allow customers to tailor productivity levels to the demands of their application. This feature provides operators the ability to achieve a balance of performance, fuel economy and maintenance-free emissions, or to maximize productivity during peak business periods when moving more loads is integral to the success of your operation.



# Ultimate productivity.

The Yale Veracitor® VX series offers reliable performance and a variety of productivity options. Three engines are offered: the PSI 4.3L V6 engine, Kubota 3.8L high output turbo diesel engine and the Kubota 3.8L DOC diesel engine.

## Which engine is right for your application?

Engine Type	Fuel Type	Horsepower	Torque	EPA Emissions Compliant	Service intervals	Yale® Variable Power Technology™	Maintenance-free emissions	Cast iron block and cylinder heads	Deep skirt engine block	Turbo charged	Air to air intercooler	Replaceable intake valve seat inserts	4-valves per cylinder	Diesel oxidation catalyst	Diesel particulate filter	Selective Catalytic Reduction (SCR) system	Maximum Productivity
PSI 4.3L V6	LPG	96@ 2400 RPM	210@ 2400 RPM	•	250	•	•	•			•	•					•
Kubota 3.8L High Output	Diesel	105@ 2400 RPM	275@ 1600 RPM	•	500	•		•	•	•	•	•	•		•	•	•
Kubota 3.8L DOC	Diesel	74@ 2200 RPM	227@ 1400 RPM	•	500		•	•	•	•	•	•	•				

Two transmission selections are available: the Electronic Powershift and the Techtronix 332 transmission.

The standard Electronic Powershift features two forward speeds and two reverse speeds with hydraulic inching.

The optional Techtronix 332 transmission features three-speeds forward and two-speeds reverse for additional travel speed and gradeability, controlled ramp descent (limiting roll to three inches per second), electronic inching (requires no adjustment), and the Auto Deceleration System, bringing the unit to a complete stop when the accelerator pedal is released. Tire spin is reduced by precisely regulating engine speed during controlled power reversals.

Both transmissions feature smooth inching, electronic shift control and neutral start/brake interlock.



PSI 4.3L V6 engine



Kubota 3.8L high output turbo diesel engine

# Low cost of operation.

The purchase price of a truck is only a small part of its overall cost. A lift truck's cost of ownership is the largest portion of dollars spent and includes such elements as periodic maintenance, unscheduled repairs, tires, brakes and fuel costs. The Yale engineers focused on cost savings with additional engine and transmission options, world-class serviceability and dependability.

## Intellix VSM

Intellix VSM, the smart vehicle system manager, maximizes driver efficiency by managing fast direction changes that reduce drive tire spin and tire wear. Intellix VSM maximizes uptime by monitoring and protecting key truck functions.

## Simplified serviceability

Simple serviceability of the Veracitor® VX series reduces labor cost involved with periodic maintenance and unscheduled repairs. Easy to remove floor plate requires no tools to remove and offers complete access to the powertrain. Simplified daily checks and reduced service requirements lead to lower maintenance costs.

## Reduced brake wear

Brake life is significantly improved with the Auto Deceleration System built into the Techtronix transmission. This system automatically slows the truck when the throttle pedal is released, minimizing brake usage requirements, and reducing associated brake wear costs.

The standard long life oil-cooled wet disc brakes further lower the operating costs of the truck by decreasing brake maintenance. These long life brakes are fully sealed against contamination making them ideal for tough environments.





- Maintenance free emissions
- Wet disc brakes
- Intellix VSM
- Simple servicing
- Auto deceleration system

## Veracitor® VX series versatility

Recognizing that no two environments are exactly alike, Yale gives you the option of tailoring your lift truck's performance and features to your application. In addition to engine and transmission choices, the innovative Yale® Flex Performance Technology™ offers selectable performance modes that provide the flexibility to maximize fuel economy or productivity to match application needs. No matter what truck configuration you choose, you can depend on the Veracitor® series lift truck.

The Techtronix 332 transmission offers improved tire savings through controlled power reversals. All three engine options deliver outstanding fuel economy with competitive performance, reducing operating costs.

### Engines

#### PSI 4.3L V6 LPG

Power = 96 hp  
Torque = 210 lb. ft  
@ 2400 RPM

#### Kubota 3.8L high output diesel

Power = 105 hp  
Torque = 275 lb. ft.  
@ 1600 RPM

#### Kubota 3.8L DOC diesel

Power = 74hp  
Torque = 227 lb. ft @ 1400 RPM

### Transmissions

#### Standard Electronic Powershift

Two speeds forward  
Two speeds reverse  
Heavy duty clutch packs  
Hydraulic inching  
Electronic shift control

#### Optional Techtronix 332

Three speeds forward  
Two speeds reverse  
All features of electronic powershift  
Controlled rollback  
Controlled power reversal  
Auto deceleration system  
Electronic inching  
Higher top speed

### Hydraulics

#### Cowl-mounted mechanical levers

Easy reach ergonomic design  
Excellent right-side access

#### Accutouch electrohydraulics (optional)

Fingertip activation  
Excellent right-side access  
Accutouch e-hydraulic mini-levers & armrest



- Rugged powertrain
- Sealed electrical connectors
- Hall effect sensors
- Filtration system
- Combi-cooler radiator

## Carriage Mounted Side Shifting Fork Positioner

In addition to the carriage-mounted side shift, the optional carriage-mounted side shifting fork positioner (SSFP) is useful within industries that require handling a variety of load sizes. Available with all masts, the SSFP is a solution for applications that require frequent stops to reposition fork width. With this option, the operator can quickly and accurately sideshift the forks, as well as move the forks (simultaneously) inward or outward to handle a variety of pallet configurations. Eliminating the need to exit the truck and move the forks by hand, the SSFP saves time and decreases manual effort, thereby increasing operator productivity. Product and pallet damage is reduced, decreasing your cost of operation. An integral load backrest is included with the attachment.



*Carriage-mounted side shift shown*



# Ultimate dependability.

Yale Veracitor® VX trucks are designed and manufactured to be among the most dependable trucks in the industry today. Yale's rugged powertrain offers durability with computer-controlled engine and transmissions, robust clutch packs and stronger gears and shafts. An optional powertrain protection system and enhanced monitoring increases longterm durability.

## Reliable electronics

The Veracitor® VX offers reliable electronics, including sealed connectors, allowing the entire truck to be pressure washed. Hall Effect sensors and switches in the key switch and direction lever have solid state components that are magnetically operated and are 100% sealed from the environment. O-ring face seals on all high pressure hydraulic connections eliminate pipe fittings and the need for thread sealants creating leak-free joints. A superior filtration system increases the life span of all hydraulic components.

## Innovative cooling system

The innovative cooling system design on the Veracitor® VX trucks enables dramatically lower operating temperatures than competitive models. The system offers excellent airflow through optimized ducting and high-volume tunnels allowing our trucks to run significantly cooler and longer. Radiators are 100% shock-mounted for long life. The standard combi-cooler radiator has a four-row aluminum core radiator and a four-row externally mounted heavy duty transmission oil cooler for tough applications. Radiators for diesel engines feature air to air intercooler technology for additional engine power and efficiency.



*Increased tire life*



*Radiator features air to air intercooler technology*

# Service made simple.

- Gull-wing engine covers
- On-board diagnostics
- Advanced dash display
- One-piece floor plate
- Clean hydraulic and electrical routings

Not only is the Veracitor® VX series designed to require less maintenance, it is also designed to be extremely easy to service. From the gull-wing engine covers and on-board diagnostics, to the reliable, most comprehensive parts availability in the industry, these trucks were designed with service details in mind. The cowl-to-counterweight access makes servicing fast, easy and convenient.

## Intellix VSM

The Intellix Vehicle Systems Manager (Intellix VSM) continuously monitors truck functions and immediately alerts the operator to service needs. Extensive onboard diagnostics on the advanced dash display communicates service codes enabling quick and accurate repairs.

## Auto Deceleration System

The Auto Deceleration System feature reduces brake usage, leading to decreased brake maintenance and pad replacement. All these contribute to reduce service costs and add to your bottom line. The standard electronic powershift transmission and the optional Techtronix 332 transmission both feature smooth electronic inching, requiring no periodic adjustment.

## Cowl-to-counterweight access

The Veracitor® VX truck features gas-spring assisted, gull-wing design engine covers. Coupled with the one-piece floor plate, it provides excellent access. Easy to remove floor plate requires no tools and gull-wing engine covers offer complete access to the powertrain. Engine compartment daily checks are all located within close reach and are easily performed. The uncluttered layout under the hood offers clean hydraulic and electrical routings.



*Yale has excellent service access on the Veracitor® VX series. Simplified daily checks and reduced service requirements lead to lower maintenance costs.*



## Supporting customers

### With world-class parts and service

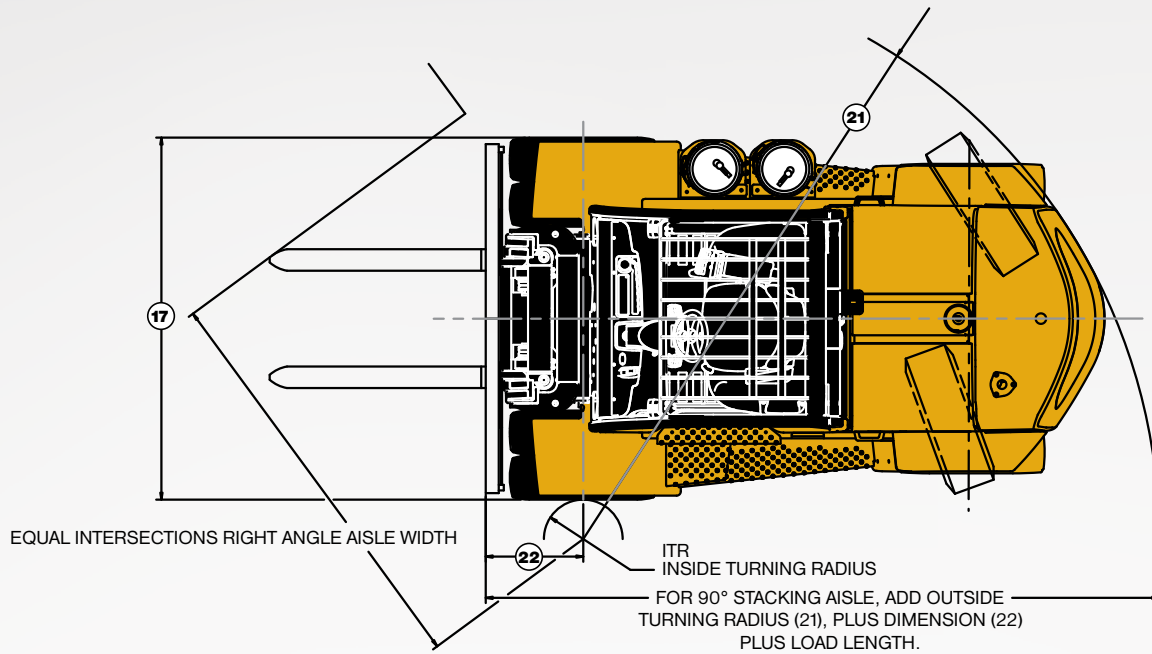
Our Guaranteed Availability Program (G.A.P.) ensures that parts that are normally required in the first 2 years of operation will be available from your Yale® parts dealer within 24 hours or they are free. With four Parts Distribution Centers strategically located around the world, we provide a full range of original equipment and aftermarket parts that maintain our customers' uptime.\*

We also take that commitment into the field with Yale's ProTech® Certification training program, available to our dealers' technicians. The ProTech® technical training program provides both systems level as well as product specific education to ensure lift trucks are repaired right the first time.

*\*Consult your local dealer for G.A.P. program rules.*

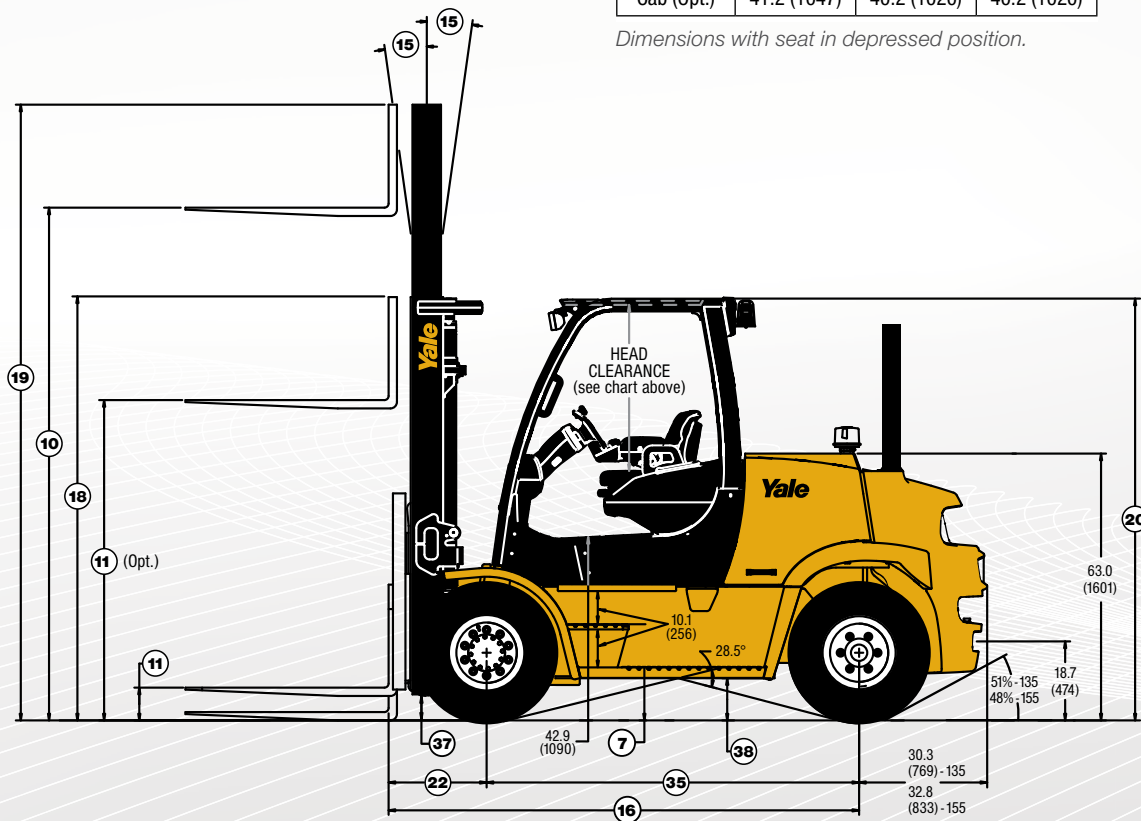
# GP135-155VX

## specifications



	Non Susp	Full	Swivel Full
OHG (Std.)	41.9 (1064)	40.8 (1037)	40.8 (1037)
Cab (Opt.)	41.2 (1047)	40.2 (1020)	40.2 (1020)

*Dimensions with seat in depressed position.*



GP135-155VX MAST DIMENSIONS								
Maximum Fork Height	Overall Lowered Height	Overall Extended Height		Free-Lift (TOF)		Tilt	Approx. Truck Wt. w/Std. Equipment	
		w/Load Backrest	w/o Load Backrest	w/Load Backrest	w/o Load Backrest		GP135VX	GP155VX
in (mm)	in (mm)	in (mm)	in (mm)	in (mm)	in (mm)	Rwd/Fwd	lbs (kg)	lbs (kg)
<b>2-Stage Limited Free-Lift (LFL) Mast</b>								
118 (3000)	100 (2540)	172 (4354)	166 (4195)	6 (160)	6 (160)	10°/5°	18760 (8509)	19890 (9022)
133 (3400)	108 (2740)	188 (4754)	181 (4595)	6 (160)	6 (160)	10°/5°	18880 (8564)	20010 (9076)
173 (4400)	128 (3240)	227 (5754)	221 (5595)	6 (160)	6 (160)	10°/5°	19340 (8772)	20470 (9285)
212 (5400)	148 (3740)	266 (6754)	260 (6595)	6 (160)	6 (160)	10°/5°	19670 (8922)	20800 (9435)
<b>3-Stage Full Free-Lift (FFL) Mast</b>								
185 (4700)	102 (2570)	239 (6054)	230 (5830)	47 (1216)	56 (1440)	10°/5°	19700 (8936)	20830 (9448)
220 (5600)	113 (2870)	274 (6954)	265 (6730)	59 (1516)	68 (1740)	10°/5°	19950 (9049)	21080 (9562)
244 (6200)	123 (3120)	298 (7554)	289 (7330)	69 (1766)	78 (1990)	10°/5°	20160 (9144)	21290 (9657)

Note: GP135-155VX use standard 8.25 x 15 x 14 PR pneumatic drive tires @ 82.0 inch (2082 mm) overall width.



		Yale			Yale			
		GP135VX			GP155VX			
		PSI 4.3L	Kubota 3.8L DOC diesel	Kubota 3.8L high output diesel	PSI 4.3L	Kubota 3.8L DOC diesel	Kubota 3.8L high output diesel	
GENERAL	1	Manufacturer						
	2	Model						
	3	Engine						
	4	Rated Capacity	13,500 (6,000)			15,500 (7,000)		
	5	Load Center, Distance	24 (610)			24 (610)		
	6	Engine/Power Type - Gasoline, LPG, Diesel	LPG		Diesel	LPG		Diesel
	7	Operator Type	Seated Rider			Seated Rider		
	8	Step Height	12.6 (321)			12.6 (321)		
	9	Tire Type - Cushion, Solid, Pneumatic	Pneumatic			Pneumatic		
	10	Wheels, Number - Front/Rear (X = driven)	4X/2			4X/2		
	11	Track Width, Front / Rear	72.7 (1846) / 60.5 (1535)			72.7 (1846) / 60.5 (1535)		
	12	Lift Height, w/LBR (TOF) (Rounded Down)	212 (5400)			212 (5400)		
	13	Std Free Lift Height (TOF) (Rounded Down)	6 (160)			6 (160)		
	14	Optional Full Free Lift w/ LBR (TOF) (Rounded Down)	95 (2416)			95 (2416)		
	15	Optional Full Free Lift w/o LBR (TOF) (Rounded Down)	103 (2640)			103 (2640)		
	16	Standard Carriage Width	78 (1981)			78 (1981)		
	17	Standard Forks, Thickness x Width x Length	6 x 2.5 x 48 (150 x 60 x 1219)			6 x 2.5 x 48 (150 x 60 x 1219)		
	18	Standard Fork Spread, Minimum Inside Dimensions	6.3 (160)			6.3 (160)		
	19	Standard Fork Spread, Maximum Outside Dimensions	73.9 (1876)			73.9 (1876)		
	20	Mast Tilt, Forward/Backward	5 / 10			5 / 10		
	21	Overall Length (to Face of Forks)	141.9 (3604)			144.4 (3669)		
	22	Overall Width	82.0 (2082)			82.0 (2082)		
	23	Height, Standard Mast - Lowered	148 (3740)			148 (3740)		
	24	Height, Standard Mast - Extended w/o LBR (Rounded Up)	260 (6595)			260 (6595)		
25	Height, Standard Mast - Extended w/ LBR (Rounded Up)	266 (6754)			266 (6754)			
26	Height, Standard Overhead Guard (High) (Rounded Up)	100 (2531)			100 (2531)			
27	Height, Standard Overhead Guard (Cab) (Rounded Up)	101 (2549)			101 (2549)			
28	Turning Radius, Minimum Outside (OTR)	130.7 (3320)			133.4 (3388)			
29	Turning Radius, Minimum Inside (ITR)	9.1 (230)			9.1 (230)			
30	Length, Center of Wheels to Face of Forks	23.7 (601)			23.7 (601)			
31	Aisle Width, Right Angle Stack (pallet w=42in, L=48in)	202.4 (5140)			205.0 (5207)			
32	Aisle Width, Right Angle Stack (Add Length of Load)	154.4 (3921)			157.0 (3988)			
33	Equal Aisle, 90-Degree Intersecting Aisle	111.6 (2835)			111.8 (2865)			
DIMENSIONS	25a	Travel Speed Fwd, RL/NL w/ 2-speed (Fwd) Transmission	mph (km/h)	13.7/13.8 (22/22.1)	12.6/12.7 (20.2/20.5)	13.6/13.8 (21.9/22.1)	12.5/12.7 (20.2/20.4)	
	25b	Travel Speed Fwd, RL/NL w/ 3-speed (Fwd) Transmission	mph (km/h)	15.4/15.7 (24.9/25.2)	13.7/13.8 (22/22.2)	15.4/15.6 (24.7/25.1)	13.6/13.8 (21.8/22.1)	
	25c	Travel Speed Rev, RL/NL w/ either Transmission	mph (km/h)	13.7/13.8 (22/22.1)	12.6/12.7 (20.2/20.5)	13.6/13.8 (21.9/22.1)	12.5/12.7 (20.2/20.4)	
	26a	Lift Speed, Standard 2-Stage LFL RL/NL	ft/min (m/s)	104/106 (.53/.54)	94/96 (.48/.49)	104/106 (.53/.54)	87/96 (.44/.49) 94/96 (.48/.49)	
	26b	Lift Speed, Optional 3-Stage FFL RL/NL	ft/min (m/s)	100/102 (.51/.52)	93/93 (.47/.47)	100/102 (.51/.52)	85/93 (.43/.47) 93/93 (.47/.47)	
	27a	Lowering Speed, Standard 2-Stage LFL RL/NL	ft/min	114/104 (.58/.53)			114/104 (.58/.53)	
	27b	Lowering Speed, Optional 3-Stage FFL RL/NL	ft/min (m/s)	104/81 (.53/.41)			104/81 (.53/.41)	
	28a	2-Spd Xmsn Drawbar Pull @ Maximum RL/NL	lb (kg)	9514/5674 (4315/2574)	10000/5674 (4536/2574)	10500/5674 (4763/2574)	9452/5952 (4536/2700)	10000/5952 (4536/2700) 11500/5952 (5216/2700)
	28b	2-Spd Xmsn Drawbar Pull @ 1 mph RL/NL	lb (kg)	7773/5674 (3526/2574)	8557/5674 (3881/2574)	10500/5674 (4763/2574)	7713/5952 (3498/2700)	8474/5952 (3844/2700) 10500/5952 (4763/2700)
	28c	2-Spd Xmsn Drawbar Pull @ 3 mph RL/NL	lb (kg)	4940/5674 (2241/2574)	4979/5674 (2258/2574)	7334/5674 (3327/2574)	4874/5952 (2211/2700)	4914/5952 (2229/2700) 7281/5952 (3303/2700)
	29a	2-Spd Xmsn Minimum Gradeability RL/NL	%	30/17	32/17	37/17	27/17	29/17 33/17
	29b	2-Spd Xmsn Gradeability @ 1 mph RL/NL	%	24/17	27/17	33/17	22/17	24/17 30/17
29c	2-Spd Xmsn Gradeability @ 3 mph RL/NL	%	15/17		23/17	14/17 20/17		
28a	3-Spd Xmsn Drawbar Pull @ Maximum RL/NL	lb (kg)	10000/5674 (4536/2574)	10000/5674 (4536/2574)	11500/5674 (5216/2574)	10000/5952 (591/2700)	10000/5952 (455/2700) 11500/5952 (742/2700)	
28b	3-Spd Xmsn Drawbar Pull @ 1 mph RL/NL	lb (kg)	10000/5674 (4536/2574)	10000/5674 (4536/2574)	11500/5674 (5216/2574)	10000/5952 (4536/2700)	10000/5952 (4536/2700) 11500/5952 (5216/2700)	
28c	3-Spd Xmsn Drawbar Pull @ 3 mph RL/NL	lb (kg)	6309/5674 (2862/2574)	5268/5674 (2389/2574)	7366/5674 (3341/2574)	6248/5952 (2834/2700)	5221/5952 (2368/2700) 7307/5952 (3315/2700)	
29a	3-Spd Xmsn Minimum Gradeability RL/NL	%	32/17		37/17	29/17 33/17		
29b	3-Spd Xmsn Gradeability @ 1 mph RL/NL	%	32/17		37/17	29/17 33/17		
29c	3-Spd Xmsn Gradeability @ 3 mph RL/NL	%	19/17	16/17	23/17	17/17	15/17 21/17	
WT.	30a	Weight, Standard Truck NL	lb (kg)	19660 (8918)	19770 (8968)	20792 (9431)	20902 (9481)	
	30b	Weight, Standard Truck RL	lb (kg)	33161 (15042)	33271 (15092)	36293 (16462)	36403 (16512)	
	31a	Axle Loading, Static Front/Rear NL	lb (kg)	9457/10203 (4290/4628)	9512/10258 (4315/4653)	9160/11632 (4155/5276)	9215/11687 (4180/5301)	
31b	Axle Loading, Static Front/Rear RL	lb (kg)	30268/2893 (13729/1312)	30323/2948 (13754/1337)	33051/3239 (14992/1469)	33106/3294 (15017/1494)		
TIRES & WHEELS	32	Tire Size, Front / Rear	8.25 X 15 14PR / 8.25 X 15 14PR			8.25 X 15 14PR / 8.25 X 15 14PR		
	34	Wheelbase	in (mm)	88.0 (2235)			88.0 (2235)	
	35	Ground Clearance Under Mast, RL	in (mm)	5.7 (146)			5.7 (146)	
	36	Ground Clearance, Center of Wheelbase	in (mm)	10.0 (253)			10.0 (253)	
	37	Service Brake - Method of Control/Operation	Foot / Hydraulic			Foot / Hydraulic		
	38	Park Brake - Method of Control/Operation	Hand / Mechanical			Hand / Mechanical		
	39	Battery Type	Maintenance Free			Maintenance Free		
POWERTRAIN	40	Volts / Cold Cranking Amps	v / cca	12V/475	12V/900 x 2	12V/475	12V/900 x 2	
	41	Engine Manufacturer		PSI 4.3L	Kubota 3.8L Turbo Diesel	PSI 4.3L	Kubota 3.8L Turbo Diesel	
	42	Engine Power @ Governed Speed	hp (kw)	96 (72) @ 2400 RPM	74 (55) @ 2200 RPM 105 (79) @ 2200 RPM	96 (72) @ 2400 RPM	74 (55) @ 2200 RPM 105 (79) @ 2200 RPM	
	43	Torque @ Rated RPM	ft lbs. (N.m)	210 (285) @2400 RPM	227 (309) @ 1400RPM 275 (373) @ 1600RPM	210 (285) @2400 RPM	227 (309) @ 1400RPM 275 (373) @ 1600RPM	
	44	Number of Cylinders / Displacement	No / cc (ci)	6/4302 (263)	4/3769 (230)	6/4302 (263)	4/3769 (230)	
	45	Transmission Type, Standard	Powershift			Powershift		
	46a	Standard Speeds, Forward/Reverse	2/2			2/2		
	46b	Optional Speeds, Forward/Reverse	3/2			3/2		
	47	Hydraulic Tank Capacity (Drain and Refill)	gal (liter)	18.9 (71.7)			18.9 (71.7)	
	48	Fuel Tank Capacity (Diesel Powered Units Only)	gal (liter)	19.7 (74.8)			19.7 (74.8)	
49	Auxiliary Hydraulic Pressure Relief for Attachments	PSI (Mpa)	2250 (155)			2250 (155)		

RL = Rated Load, NL = No Load





Yale

Yale

Yale

NSLU

652177

GB2210

HSL

## Standard equipment

- PSI 4.3L, V-6 emissions compliant engine
- Electronic powershift transmission
  - Hydraulic inching
  - Electronic shift control
  - 2 speeds forward, 2 speeds reverse
- Oil-cooled wet disc brakes
- Foot direction control pedal
- 2-Stage limited free-lift (LFL) Hi-Vis™ mast with maximum fork height of 133" (2400 mm)
- 48.0" (1219 mm) wide hook-type carriage with 48.0" (1219) tall load backrest extension
- 48.0" (1219 mm) long forks
- 6 degrees forward and 10 degrees backward mast tilt
- 3-function hydraulic control valve
- Integrated dashboard display includes:
  - LCD display:
  - Fuel level (diesel only)
  - Hour meter
  - Coolant temperature
  - Clock
  - Messages
  - Service indicator lights:
  - Alternator
  - Transmission oil temperature
  - Engine oil pressure
  - Brake fluid level
  - Fasten seat belt
  - Low fuel level
  - Engine malfunction
  - System malfunction
  - Park brake
  - Coolant temperature
  - Forward, reverse and neutral direction indicators
- UL Classification LPG
- Hydrostatic power steering
- Non-suspension vinyl seat
- No-cinch seat belt
- Electronic horn
- Adjustable steer column
- Rubber floor mat
- High air intake
- Integral tie downs
- Operator restraint system
- Combi-cooler radiator
- Single pedal inch brake
- Cowl-mounted hydraulic control levers
- Running board mounted LPG tank bracket
- Pressure sensing low LPG fuel sensor
- 100" (2531 mm) tall overhead guard
- 12 months / 2,000 hours manufacturer's warranty
- 36 months / 6,000 hours manufacturer's powertrain warranty
- Operator's manual

## Options

- Kubota 3.8L EPA Certified Tier 4 Final high output turbo diesel engine
- Kubota 3.8L DOC EPA Certified Tier 4 Final turbo diesel engine
- Techtronix 332™ transmission
  - 3 speeds forward, 2 speeds reverse
  - Electronic inching
  - Electronic shift control
  - Auto deceleration system
  - Controlled power reversal
  - Controlled roll back on ramps
- LED lights (brake/tail/back-up)
- Powertrain protection system
- Premium monitoring
- High air intake with precleaner
- Accumulator
- Keyless start (with auxiliary key switch)
- Dual LPG tank bracket
- Return to set tilt
- Accutouch hydraulic mini-levers with fully adjustable armrest
- Rear drive handle with horn button
- Full suspension seat - vinyl or cloth
- Swivel full-suspension seat - vinyl or cloth
- High-visibility non-cinch seat belt with or without interlock
- Impact monitor with immediate or delayed shutdown
- Load weight display
- Operator pre-shift checklist
- Dual-inch brake pedals
- Operator password protection
- Audible reverse activated 82-102 dB(A) self-adjusting alarm
- Visible alarm: amber LED strobe light - continuously activated, overhead guard mounted
- Parts publications - printed or CD, serial number specific
- UL Classification D, LPS, DS
- Various light packages available with halogen or high intensity LED:
  - Two front and one rear work lights
  - Two front, one rear work light and two brake/tail/back-up lights
- Cab includes the following:
  - Front and rear wiper
  - Full light package
  - Integral heater
  - Defogger
  - Removable doors
  - Operator dome light
  - Fan
  - Optional air conditioning
- Side view mirrors

# The Yale<sup>®</sup> experience

With Yale, you know you're getting more than just a truck. You're getting the complete Yale experience. It's the promise we make that goes beyond our products, and our commitment to support you with the best service in the industry.



**Dealer Network** - Yale customers have direct access to the best forklift products and services through our extensive, independent dealer network, featuring 340 worldwide dealer locations (225 in the Americas) with an average of more than 25 years of experience in materials handling.



**Financial Services** - Yale Financial Services specializes in financing your lift truck needs. Our programs make it easy to acquire the use of a lift truck or an entire fleet.



**Fleet Management** - Even if you operate other brands, we can manage your maintenance and replacement plan. We can offer complete fleet analysis, fleet history summary and a cost-effective proposal for replacement and scheduled maintenance.



**Innovations** - One size doesn't always fit all. Yale has engineered a variety of truck modifications to meet the ever-changing needs of its customers and their changing applications. In addition to standard and optional truck features, Yale offers an impressive list of special truck enhancements designed to increase your productivity.



**Operator Training** - Proper education in operating lift trucks minimizes the risk of injuries due to accidents while increasing productivity. Yale offers OSHA compliant materials that support the training of qualified operators.



**Replacement Parts** - Your authorized Yale<sup>®</sup> Lift Truck dealer offers genuine Yale parts and quality parts for other makes (PREMIER<sup>™</sup> Parts) as well as service programs - all designed to keep your trucks running efficiently and cost-effectively.



**Rental** - Long-term rental can provide flexibility for equipment and term tailored to your operation, fixed cost, maintenance and maximum uptime without major capital investment. Coupled with Yale<sup>®</sup> dealers' extensive short term rental fleets, businesses can meet peak production or seasonal requirements while keeping their fleets sized for their everyday needs.


For more information, or to find your nearest Yale® dealer, go to [Yale.com](http://Yale.com).



**YALE MATERIALS HANDLING CORPORATION**

P.O. Box 7367, Greenville, NC 27835-7367

[www.yale.com](http://www.yale.com)

YALE,  and PEOPLE. PRODUCTS. PRODUCTIVITY. are trademarks, service marks or registered marks in the United States and certain other jurisdictions. © Yale Materials Handling Corporation 2017. All Rights Reserved.

Truck performance may be affected by the condition of the vehicle, how it is equipped and the application. Consult your Yale® Industrial Truck Dealer if any of the information shown is critical to your application. Specifications are subject to change without notice. CERTIFICATION: Yale lift trucks meet the design and construction requirements of B56.1-1969, per OSHA Section 1910.178(a)(2), and also comply with the B56.1 revision in effect at time of manufacture. Classified by Underwriters' Laboratories, Inc., as to fire and electric shock hazard only for Type E industrial trucks.

Manufactured in our own ISO 9001 and 14001 Registered Facilities

2271F 5/2017 All trucks shown with optional equipment.