



ERP15-35UX ERP15-35UXL

SPEC SHEET

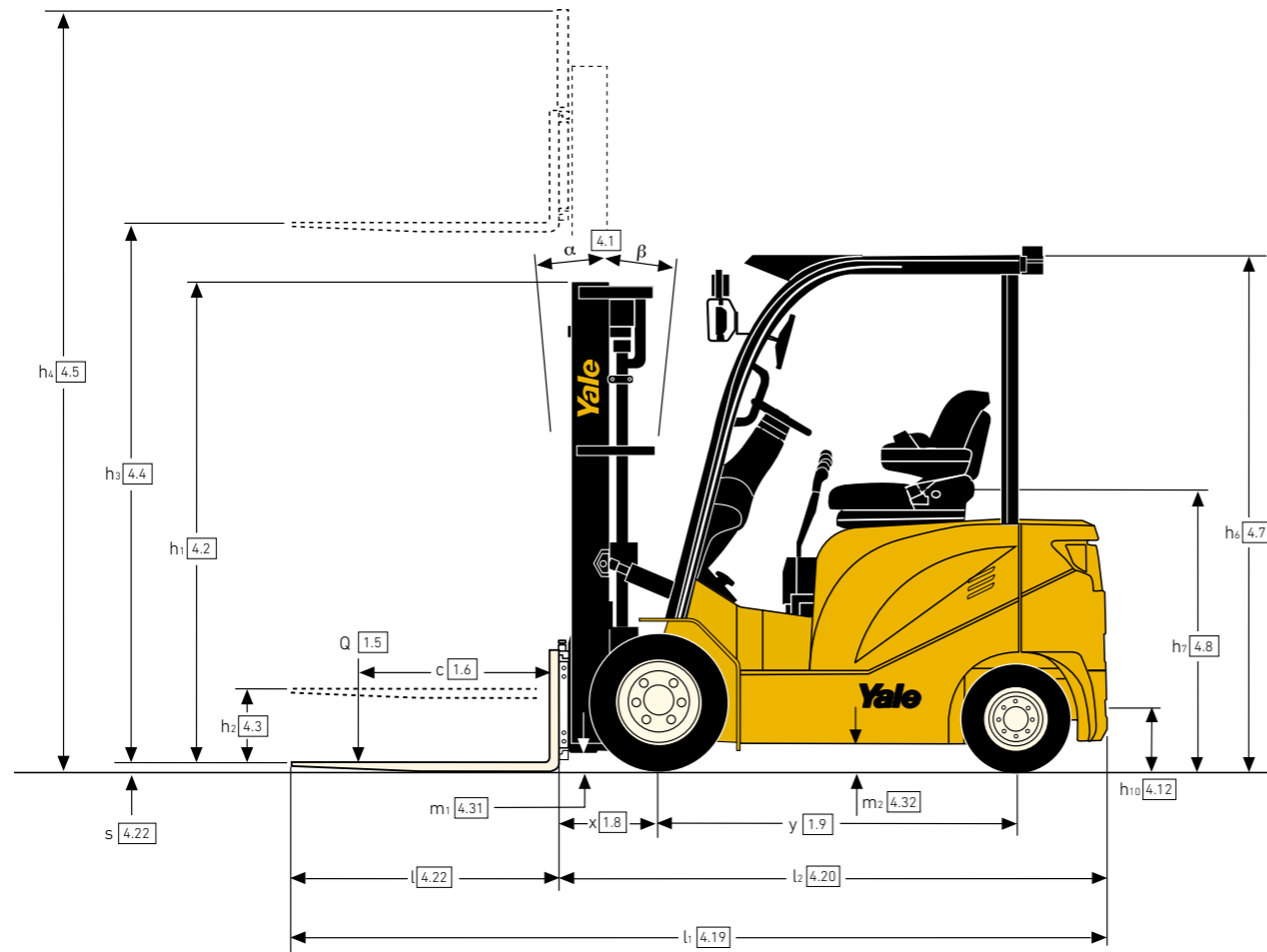
1,500 - 3,500 kg

UX Series

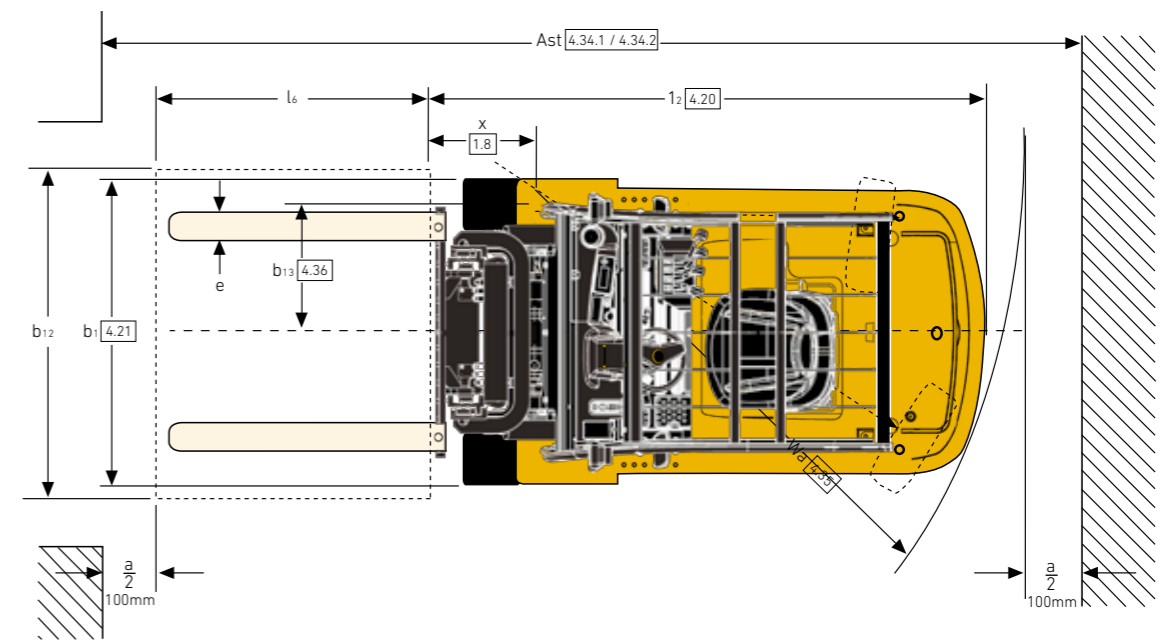
Electric Forklift Trucks

TRUCK DIMENSIONS – UX SERIES

$$Ast = Wa + R + a = Wa + \sqrt{((l_6 + x)^2 + (b_{12} / 2 - b_{13})^2)} + a$$



TRUCK DIMENSIONS – UX SERIES



MAST DIMENSIONS – ERP 15UX(L), ERP 18UX(L)

Mast specification	Max. lift height	Overall Extended Height Mast						Free Lift Height		Load Distance		Mast Tilt		Loading	
		Lowered height		Lift Height				With LBR	Without LBR	15UX	18UX	F	B	Load centre (500mm)	
				With LBR		Without LBR								15UX	18UX
		15UX	18UX	15UX	18UX	15UX	18UX	(mm)	(mm)	(°)	(°)	(kg)	(kg)		
2-Stage Limited Free-Lift (LFL) Mast															
330	3300	2140	2140	4284	4284	3813	3813	135	135	410	410	5	10	1500	1800
350	3500	2240	2240	4484	4484	4013	4013	135	135	410	410	5	10	1500	1800
400	4000	2540	2540	4984	4984	4513	4513	135	135	410	410	5	10	1500	1800
3-Stage Full Free-Lift (FFL) Mast															
450	4500	2040	2040	5484	5484	5013	5013	1045	1516	435	435	5	6	1410	1740
480	4800	2140	2140	5784	5784	5313	5313	1145	1616	435	435	5	6	1370	1710
550	5500	2405	2405	6484	6484	6013	6013	1415	1886	435	435	5	6	990	1370
600	6000	2590	2590	6984	6984	6513	6513	1595	2066	435	435	5	6	760	1080

MAST DIMENSIONS – ERP 20UX(L), ERP 25UX(L)

Mast specification	Max. lift height	Overall Extended Height Mast						Free Lift Height		Load Distance		Mast Tilt		Loading	
		Lowered height		Lift Height				With LBR	Without LBR	20UX	25UX	F	B	Load centre (500mm)	
				With LBR		Without LBR								20UX	25UX
		20UX	25UX	20UX	25UX	20UX	25UX	(mm)	(mm)	(mm)	(mm)	(°)	(°)	(kg)	(kg)
2-Stage Limited Free-Lift (LFL) Mast															
330	3300	2180	2180	4315	4315	4317	4317	140	140	454	454	5	10	2000	2500
350	3500	2280	2280	4515	4515	4517	4517	140	140	454	454	5	10	2000	2500
400	4000	2580	2580	5015	5015	5017	5017	140	140	454	454	5	10	2000	2500
3-Stage Full Free-Lift (FFL) Mast															
450	4500	2090	2090	5515	5515	5115	5115	1040	1440	490	490	5	6	1910	2400
480	4800	2190	2190	5815	5815	5415	5415	1140	1540	490	490	5	6	1860	2290
550	5500	2455	2455	6515	6515	6115	6115	1400	1800	490	490	3	6	1480	1630
600	6000	2640	2640	7015	7015	6615	6615	1590	1990	490	490	3	6	1150	1230

MAST DIMENSIONS – ERP 30UX(L)

Mast specification	Max. lift height	Overall Extended Height Mast						Free Lift Height		Load Distance		Mast Tilt		Loading	
		Lowered height		Lift Height				With LBR	Without LBR	165	165	5	10	Load centre (500mm)	
				With LBR		Without LBR								(kg)	(kg)
		(mm)	(mm)	(mm)	(mm)	(mm)	(mm)	(mm)	(mm)	(mm)	(mm)	(°)	(°)	(kg)	(kg)
2-Stage Limited Free-Lift (LFL) Mast															
330	3300	2195	2195	3940	3940	3970	3970	165	165	475	475	5	10	3000	3000
350	3500	2295	2295	4140	4140	4170	4170	165	165	475	475	5	10	3000	3000
400	4000	2595	2595	4640	4640	4670	4670	165	165	475	475	5	10	2960	2960
3-Stage Full Free-Lift (FFL) Mast															
450	4500	2095	2095	5640	5640	5225	5225	975	1390	500	500	5	6	2860	2860
480	4800	2195	2195	5940	5940	5525	5525	1075	1490	500	500	5	6	2800	2800
500	5500	2460	2460	6640	6640	6225	6225	1330	1745	500	500	3	6	2180	2180
600	6000	2645	2645	7140	7140	6725	6725	1525	1940	500	500	3	6	1590	1590

MAST DIMENSIONS – ERP 35UX(L)

Mast specification	Max. lift height	Overall Extended Height Mast						Free Lift Height		Load Distance		Mast Tilt		Loading	
		Lowered height		Lift Height				With LBR	Without LBR	170 <th rowspan="2">170 <th rowspan="2">5 <th rowspan="2">10 <th colspan="2">Load centre (500mm)</th> </th></th></th>	170 <th rowspan="2">5 <th rowspan="2">10 <th colspan="2">Load centre (500mm)</th> </th></th>	5 <th rowspan="2">10 <th colspan="2">Load centre (500mm)</th> </th>	10 <th colspan="2">Load centre (500mm)</th>	Load centre (500mm)	
				With LBR		Without LBR								(kg)	(kg)
		(mm)	(mm)	(mm)	(mm)	(mm)	(mm)	(mm)	(mm)	(mm)	(mm)	(°)	(°)	(kg)	(kg)
2-Stage Limited Free-Lift (LFL) Mast															
330	3300	2270	2270	4440	4440	4040	4040	170	170	505	505	5	10	3500	3500
350	3500	2370	2370	4640	4640	4240	4240	170	170	505	505	5	10	3500	3500
400	4000	2670	2670	5140	5140	4740	4740	170	170	505	505	5	6	3360	3360
3-Stage Full Free-Lift (FFL) Mast															
450	4500	2170	2170	5640	5640	5310	5310	1050	1380	522	522	5	6	3200	3200
480	4800	2270	2270	5940	5940	5610	5610	1150	1480	522	522	5	6	3110	3110
500	5500	2535	2535	6640	6640	6310	6310	1405	1735	522	522	3	6	2270	2270
600	6000	2720	2720	7140	7140	6810	6810	1600	1930	522	522	3	6	1690	1690

All values are nominal values and they are subject to tolerances.

BATTERY INFORMATION – UX SERIES

LI-ION BATTERY DATA	48 Volt ERP15-18-UX(L)		
	51.2V250AH	51.2V375AH	51.2V500AH
Battery Type	51.2V250AH		
Dimension (L x W x H) (w/o CWT)	754 X 470 X 610		
Weight (w/o CWT)	276		
Battery Colour	HYG HCE-51 Black		
Nominal Voltage	51.2		
Maximum Voltage	57.9		
Minimum Voltage	40.8		
Nominal Capacity	250	375	500
Usable Capacity	225	356	475
Energy	12.8	19.2	25.6
Nominal Discharge Current	300		
Maximum Discharge Current -5s	500		
Nominal Charge Current	100	150	200
Maximum Charge Current -5s	200	300	400
Operating Temperature	-10°— 45°		-25°— 45°
Charging Temperature	0°— 45°		
Power Connector	DIN 160A		
Power Connector Position	Floating on top		
Charge Connector	DIN 160A		
Charge Connector Position	Fixed lateral side or on top		
Antiarc Type	n/a		
CANBUS Protocol	HYG		
CANBUS Speed	125Kbps for CH & TR		
Chemistry	LFP		

LI-ION BATTERY DATA

LI-ION BATTERY DATA	48 Volt ERP20-25UX(L)		
	51.2V250AH	51.2V375AH	51.2V500AH
Battery Type	51.2V250AH		
Dimension (L x W x H) (w/o CWT)	754 X 470 X 610		
Weight (w/o CWT)	276		
Battery Colour	HYG HCE-51 Black		
Nominal Voltage	51.2		
Maximum Voltage	57.9		
Minimum Voltage	40.8		
Nominal Capacity	250	375	500
Usable Capacity	225	356	475
Energy	12.8	19.2	25.6
Nominal Discharge Current	300		
Maximum Discharge Current -5s	500		
Nominal Charge Current	100	150	200
Maximum Charge Current -5s	200	300	400
Operating Temperature	-10°— 45°		-25°— 45°
Charging Temperature	0°— 45°		
Power Connector	DIN 320A		
Power Connector Position	Floating on top		
Charge Connector	DIN 320A		
Charge Connector Position	Fixed lateral side or on top		
Antiarc Type	n/a		
CANBUS Protocol	HYG		
CANBUS Speed	125Kbps for CH & TR		
Chemistry	LFP		

BATTERY INFORMATION – UX SERIES

LI-ION BATTERY DATA		80 Volt ERP30-35UX(L)		
Battery Type		77.2V250AH	77.2V375AH	77.2V500AH
Dimension (L x W x H) (w/o CWT)	mm	1078 X 470 X 610		
Weight (w/o CWT)	kg	400		
Battery Colour		HYG HCE-51 Black		
Nominal Voltage	V	77.2		
Maximum Voltage	V	86.8		
Minimum Voltage	V	61.2		
Nominal Capacity	Ah	250	375	500
Usable Capacity	Ah	225	356	475
Energy	kWh	19.3	28.9	38.6
Nominal Discharge Current	A	220	300	
Maximum Discharge Current -5s	A	400	500	
Nominal Charge Current	A	100	150	200
Maximum Charge Current -5s	A	200	300	400
Operating Temperature	C	-10°— 45°	-25°— 45°	
Charging Temperature	C	0°— 45°		
Power Connector		DIN 320A		
Power Connector Position		Floating on top		
Charge Connector		DIN 320A		
Charge Connector Position		Fixed lateral side		
Antiarc Type		n/a		
CANBUS Protocol		HYG		
CANBUS Speed		125Kbps for CH & TR		
Chemistry		LFP		

BATTERY CHARGER INFORMATION – UX SERIES

LI-ION CACTI CHARGER DATA		48 Volt ERP15-18-UX(L)		
For Corresponding Li-ion Battery Type		51.2V250AH	51.2V375AH	51.2V500AH
CACTi Charger description		HWCD18-48V		
Charger type		Three Phase Lithium Ion LFP CACTi charger with 160A connector		
Charger type		48V 100A (4.8kW)	48V 150A (7.2kW)	
Charge time		250AH: Single - 2.5hr, Dual - 1.5hr	375AH: Single - 2.5hr, Dual - 1.5hr	500AH: Single - 3.2hr, Dual - 1.9hr
Output Voltage Range		18-60VDC		
Current Limit Adjustable Range		2A-100A	2A-150A	
AC Input Voltage Range		320-475VAC		
AC Input Frequency		45Hz-65Hz		
AC Power Factor (PF)		≥ 0.99		
AC Current distribution (THD)		≤ 5%		
Peak-to-peak Noise (DC Output)		≤ 1%		
Stabilization Accuracy (DC Output)		≤ ±0.5%		
Steady Flow Accuracy (DC Output)		≤ ±0.5%		
Current Sharing (DC Output)		≤ ±5%		
Effectiveness (DC Output)		Output 18 – 60Vdc, Load ≥50% Nominal, the overall efficiency ≥93% Output 70 – 100Vdc, Load ≥50% Nominal, the overall efficiency ≥94%		
Protection (DC Output)		Short circuit, over current, over voltage, reverse connection, current backflow protection		
Working Temperature	C	-30° – 55° normal operation; 57° – 75° derating output; 75° or more shutdown protection		
Storage Temperature	C	-40° – 75°		
Relative Humidity		0 – 95%		
Altitude		≤2000m full load; 2000 – 3000m in accordance with GB/T3859.2-1993 5.11.2 predetermined, derating		
Output plug-in Specifications		Comply with GB/T 20234-2015.3		
Cooling Method		Forced air cooling		
Dimension (L x W x H)	mm	558 × 330 × 617		
Weight	kg	54		
Protection Level		IP23		

BATTERY CHARGER INFORMATION – UX SERIES

LI-ION CACTI CHARGER DATA		48 Volt ERP20-25UX(L)		
For Corresponding Li-ion Battery Type		51.2V250AH	51.2V375AH	51.2V500AH
CACTi Charger description		HWCD18-48V		
Charger type		Three Phase Lithium Ion LFP CACTi charger with 320A connector		
Charger type		48V 100A (4.8kW)	48V 150A (7.2kW)	48V 200A (9.6kW)
Charge time		250AH: Single - 2.5hr, Dual - 1.5hr	375AH: Single - 2.5hr, Dual - 1.5hr	500AH: Single - 3.2hr, Dual - 1.9hr
Output Voltage Range		18-60VDC		
Current Limit Adjustable Range		2A-100A	2A-150A	2A-200A
AC Input Voltage Range		320-475VAC		
AC Input Frequency		45Hz-65Hz		
AC Power Factor (PF)		≥ 0.99		
AC Current distribution (THD)		≤ 5%		
Peak-to-peak Noise (DC Output)		≤ 1%		
Stabilization Accuracy (DC Output)		≤ ±0.5%		
Steady Flow Accuracy (DC Output)		≤ ±0.5%		
Current Sharing (DC Output)		≤ ±5%		
Effectiveness (DC Output)		Output 18 – 60Vdc, Load ≥50% Nominal, the overall efficiency ≥93% Output 70 – 100Vdc, Load ≥50% Nominal, the overall efficiency ≥94%		
Protection (DC Output)		Short circuit, over current, over voltage, reverse connection, current backflow protection		
Working Temperature	C	-30° – 55° normal operation; 57° – 75° derating output; 75° or more shutdown protection		
Storage Temperature	C	-40° – 75°		
Relative Humidity		0 – 95%		
Altitude		≤2000m full load; 2000 – 3000m in accordance with GB/T3859.2-1993 5.11.2 predetermined, derating		
Output plug-in Specifications		Comply with GB/T 20234-2015.3		
Cooling Method		Forced air cooling		
Dimension (L x W x H)	mm	558 × 330 × 617		
Weight	kg	54		
Protection Level		IP23		

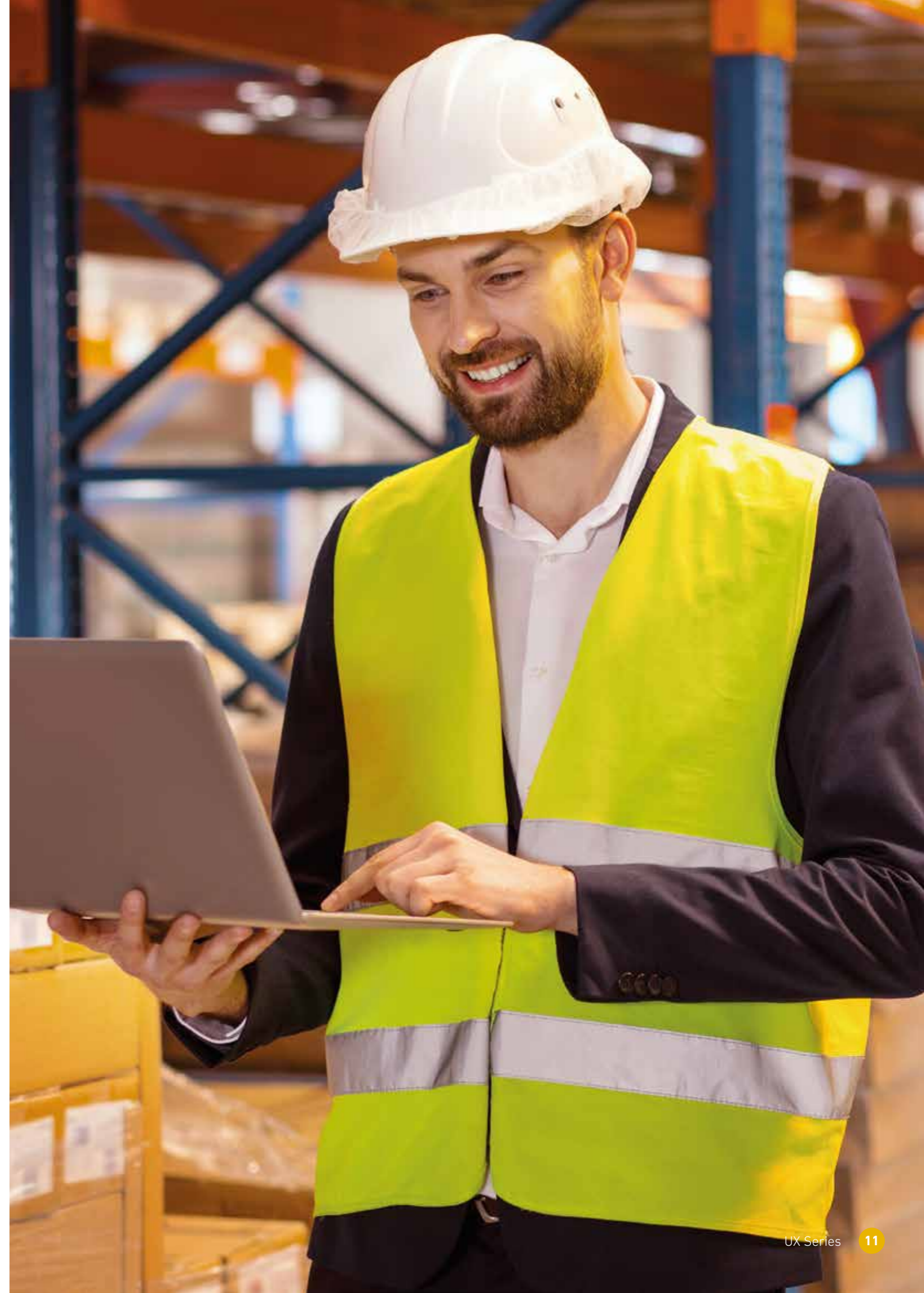
LI-ION CACTI CHARGER DATA

LI-ION CACTI CHARGER DATA		80 Volt ERP30-35UX(L)		
For Corresponding Li-ion Battery Type		77.2V250AH	77.2V375AH	77.2V500AH
CACTi Charger description		HWCD18-80V		
Charger type		Three Phase Lithium Ion LFP CACTi charger with 320A connector		
Charger type		80V 100A (8kW)	80V 150A (12kW)	80V 200A (16kW)
Charge time		250AH: Single - 2.5hr, Dual - 1.5hr	375AH: Single - 2.5hr, Dual - 1.5hr	500AH: Single - 3.2hr, Dual - 1.9hr
Output Voltage Range		18-60VDC		
Current Limit Adjustable Range		2A-100A	2A-150A	2A-200A
AC Input Voltage Range		36-100VDC		
AC Input Frequency		45Hz-65Hz		
AC Power Factor (PF)		≥ 0.99		
AC Current distribution (THD)		≤ 5%		
Peak-to-peak Noise (DC Output)		≤ 1%		
Stabilization Accuracy (DC Output)		≤ ±0.5%		
Steady Flow Accuracy (DC Output)		≤ ±0.5%		
Current Sharing (DC Output)		≤ ±5%		
Effectiveness (DC Output)		Output 18 – 60Vdc, Load ≥50% Nominal, the overall efficiency ≥93% Output 70 – 100Vdc, Load ≥50% Nominal, the overall efficiency ≥94%		
Protection (DC Output)		Short circuit, over current, over voltage, reverse connection, current backflow protection		
Working Temperature	C	-30° – 55° normal operation; 57° – 75° derating output; 75° or more shutdown protection		
Storage Temperature	C	-40° – 75°		
Relative Humidity		0 – 95%		
Altitude		≤2000m full load; 2000 – 3000m in accordance with GB/T3859.2-1993 5.11.2 predetermined, derating		
Output plug-in Specifications		Comply with GB/T 20234-2015.3		
Cooling Method		Forced air cooling		
Dimension (L x W x H)	mm	558 × 330 × 617		
Weight	kg	54		
Protection Level		IP23		

FEATURES LIST – UX SERIES

PERFORMANCE	STD	OPT	HANDLING (continued)	STD	OPT
48 volt electrical system REMA 160A Connector for ERP15-18UX(L)	•		Hook Type Standard Taper Forks - 920mm x 100mm x 35mm	•	
48 volt electrical system REMA 320A Connector for ERP20-25UX(L)	•		Hook Type Standard Taper Forks - 1070mm x 100mm x 35mm		•
80 volt electrical system REMA 320A Connector for ERP30-35UX(L)	•		Hook Type Standard Taper Forks - 1220mm x 100mm x 35mm		•
Standard Construction	•		Hook Type Standard Taper Forks - 1070mm x 122mm x 45mm	•	
Vertical Battery Removal - without rollers Lift Out	•		Hook Type Standard Taper Forks - 1220mm x 122mm x 45mm		•
Without Battery on Lead Acid models	•		3 Function (1 Auxiliary) Hydraulic Valve	•	
Without Charger on Lead Acid models	•		4 Function (2 Auxiliary) Hydraulic Valve		•
Li-ion Integrated Battery on L models	•		VISIBILITY	STD	OPT
48V 250Ah (12.8kWh) Integrated Li-ion battery		•	Audible Reverse Alarm		•
48V 375Ah (19.2kWh) Integrated Li-ion battery		•	Amber Strobe Light - Ignition Activated	•	
48V 500Ah (25.6kWh) Integrated Li-ion battery		•	Parking Alarm	•	
80V 250Ah (19.4kWh) Integrated Li-ion battery		•	LED Work Lights Two Front LED Work Lights with Stop, Tail, Indicator, and Reverse Lights	•	
80V 375Ah (29.1kWh) Integrated Li-ion battery		•	LED Two Front / One Rear Work Light Package with Brake / Tail / Back-Up Lights with Turn Signals		•
80V 500Ah (38.8kWh) Integrated Li-ion battery		•	Blue spot lights		•
Li-ion Charger on L models	•		ERGONOMICS	STD	OPT
48V 100A (4.8kW) Three Phase Lithium Ion LFP CACTi charger with 160A connector		•	Overhead Guard - 2152mm/2155mm or new 2192mm/2195mm	•	
48V 150A (7.2kW) Three Phase Lithium Ion LFP CACTi charger with 160A connector		•	Rain Cover for Overhead Guard		•
48V 100A (4.8kW) Three Phase Lithium Ion LFP CACTi charger with 320A connector		•	Front/Top Cabin Panels with Front Wiper Motor All Chassis		•
48V 150A (7.2kW) Three Phase Lithium Ion LFP CACTi charger with 320A connector		•	Rear Windscreen Wiper Motor All Chassis		•
48V 200A (9.6kW) Three Phase Lithium Ion LFP CACTi charger with 320A connector		•	Steel Modular Cab with PVC Doors		•
80V 100A (8kW) Three Phase Lithium Ion LFP CACTi charger with 320A connector		•	Full Steel Cab		•
80V 150A (12kW) Three Phase Lithium Ion LFP CACTi charger with 320A connector		•	Heater and Demister		•
80V 200A (16kW) Three Phase Lithium Ion LFP CACTi charger with 320A connector		•	Dual Mirrors Side View	•	
Less Li-ion Charger		•	Dual USB Ports	•	
DRIVE	STD	OPT	12V Outlet - automotive style socket under the dash	•	
Integrated Directional Switch	•		Rear Drive Handle with Horn Button		•
MONOTROL® Directional Control Pedal		•	Full Suspension Vinyl Seat	•	
Tyres - Super Elastic	•		Full Suspension Cloth Seat		•
Tyres - Super Elastic - Non-Marking		•	Black Seat Belt - Black - With Traction Interlock	•	
Tyres - Pneumatic		•	Standard Seat Belt		•
Standard Tread	•		Side charging socket for Li-ion models	•	
Power Steering and Tilt Adjustable Steering column	•		OPERATION	STD	OPT
Steering Wheel with Spinner Knob	•		Key Switch Start	•	
LIFT	STD	OPT	Traction Speed Limiter		•
2 Stage Limited Free Lift Mast 3300mm	•		Operator Presence System (OPS)	•	
Available with range of 2 Stage Limited Free Lift and 2 or 3 Stage Full Free Lift Masts		•	Manual Park Brake	•	
5° Forward / 10° Back Mast Tilt	•		Corner Speed Control/Reduction	•	
5° Forward / 6° Back Mast Tilt		•	SUPPLEMENTAL	STD	OPT
HANDLING	STD	OPT	12 Months / 2,000 Hours Manufacturer's Warranty	•	
With Tilt Cylinder Boots	•		60 months / 7,500 hours Integrated Li-ion Battery Warranty	•	
970 mm wide class II ERP15-18UX(L), 1040 mm wide class II ERP20-25UX(L) or 1100 mm wide class III ERP30-35UX(L) hook-type standard carriage		•	12 months Li-ion CACTi Charger Warranty	•	
Hook Type Integral Sideshift Carriage		•	Literature Package	•	
930 mm high class II ERP15-18UX(L), 940mm high class II ERP20-25UX(L) or 1080 mm high class III ERP30-35UX(L) Load Backrest	•				

All values are nominal values and they are subject to tolerances.





About Yale®

Yale Materials Handling Corporation is one of the oldest manufacturers of lift trucks in the world. We've been in the business of lifting since 1875 and we apply that experience to help customers solve materials handling challenges. Our full line of lift trucks range in capacity from 1 to 16 tonne and are powered by internal combustion engines or electric options. Yale also offers robotic solutions, telemetry, fleet management, parts, financing and training. From traditional lift truck equipment to emerging technologies, our goal, every day, is to work with our nationwide dealer network to continually improve and provide the solutions you need, when and how you need them.

MATERIALS HANDLING FOR:

- 3PL
- Auto Parts
- Beverage
- Cold & Frozen Foods
- Food Distribution
- Food Processing
- Furniture & Furnishings
- Health & Pharma
- Home Centres
- Retail
- E-Commerce

Yale Lift Truck Technologies

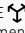
Centennial House
Frimley Business Park
Frimley
Surrey
GU16 7SG
United Kingdom

www.yale.com



Safety: All Yale products sold into EU countries, UK, and Turkey conform to the EU requirements of Machinery Directive 2006/42/EC and contain CE marking. Yale trucks sold into other countries may be ordered for production in conformance with Machinery Directive requirements, and when so ordered will contain CE marking.

HYSTER-YALE UK LIMITED trading as Yale Lift Truck Technologies. Registered Address: Centennial House, Building 4.5, Frimley Business Park, Frimley, Surrey, GU16 7SG, United Kingdom. Registered in England and Wales. Company Registration Number: 02636775.

©2023 Hyster-Yale Group, Inc., all rights reserved. YALE and YALE  are trademarks of Hyster-Yale Group, Inc. Trucks may be shown with optional equipment and/or features not available in all regions. Truck performance may be affected by the condition of the vehicle, how it is equipped and the application. Specifications are subject to change without notice.

Notice: Care must be exercised when handling elevated loads. Operators must be trained and must read, understand and follow the instructions contained in the Operating Manual. Consult your Yale® Dealer if any of the information shown is critical to your application.

Publication part no. 220991852 Rev.01 (1223TLC) EN