



Yale 
LIFT TRUCK TECHNOLOGIES

ERP 32-40UXT

Three-wheel
pneumatic tire electric
counterbalanced forklift

3,200-4,000 lbs.



Reliable performance in a value-driven package.

For any size operation, keeping material handling costs in check is critical to protecting profits. Whether you're a single truck operation or scaling your existing fleet, the UX Series can be a budget-friendly choice to optimize your operation.

Available with a 3,200-4,000-pound load capacity and a range of standard and optional features, the Yale® ERP32-40UXT is a straightforward option for both indoor and outdoor applications across many different industries. Experience reliable performance at an affordable price with this three-wheel pneumatic tire, electric counterbalanced forklift—all backed by the reliable quality and support you expect from the Yale brand and dealer network.

ERP32UXT

ERP35UXT

ERP40UXT



EASY TO OPERATE

Increase productivity and reduce fatigue with an ergonomic operator compartment designed for comfort, simplicity and familiarity.



SERVICE MADE SIMPLE

Minimize service time with easy access to key components such as the compact powertrain and controllers.



LOW COST OF OPERATION

Protect your bottom line with reliable, high-quality components and fast access to affordable replacement parts.



1. CONVENIENT STEP HEIGHT

A low, conveniently placed step helps make getting on or off the truck easy for the operator.

2. ADJUSTABLE OPERATOR COMPARTMENT

An adjustable seat and steering column combined with a compact steering wheel enable the operator to find a comfortable position while a low steering effort optimizes performance in confined spaces.

3. WIDE VIEW MAST

A wide mast window provides a significant front field of view, helping support operator awareness.

4. PROVEN AC TECHNOLOGY

Utilizes reliable AC controllers coupled with AC traction and hydraulic motors for precise truck controllability. Additionally, the controllers are easily accessible which helps minimize service time.

5. POWER SOURCE OPTIONS

Available with either traditional lead acid or thin plate pure lead (TPPL) batteries to help configure the truck to the application.

6. COMPACT POWERTRAIN

The compact structure of the twin motor drive system provides adequate access for maintenance. Precision cut gears are incorporated, leading to reduced wear and tear.

7. HIGH STRENGTH OVERHEAD GUARD

The profiled steel used in the overhead guard is made of high-strength materials to enhance durability and help safeguard the operator.

8. ROBUST HYDRAULIC SYSTEM

High quality cylinders with hard chrome rods and a full-flow, low pressure filter on the return line help reduce wear and minimize service costs.

Simple. Affordable. Adaptable.

COMFORT

- Low entrance step and large floor space
- Adjustable, full suspension seat with lumbar support
- Small diameter steering wheel
- Adjustable steering column
- Ergonomically designed hand brake

PERFORMANCE

- Simple display for quick access to vital truck information (truck speed, battery power and error codes)
- Multiple performance modes (selectable on display) to match application
- Hydraulic power steering minimizes steer effort and "kick-back" for precise positioning
- AC traction and lifting motors, with electronic control, deliver reliable performance
- Maintenance free oil-immersed brakes and regenerative braking system for smooth traction

SAFETY AND STABILITY

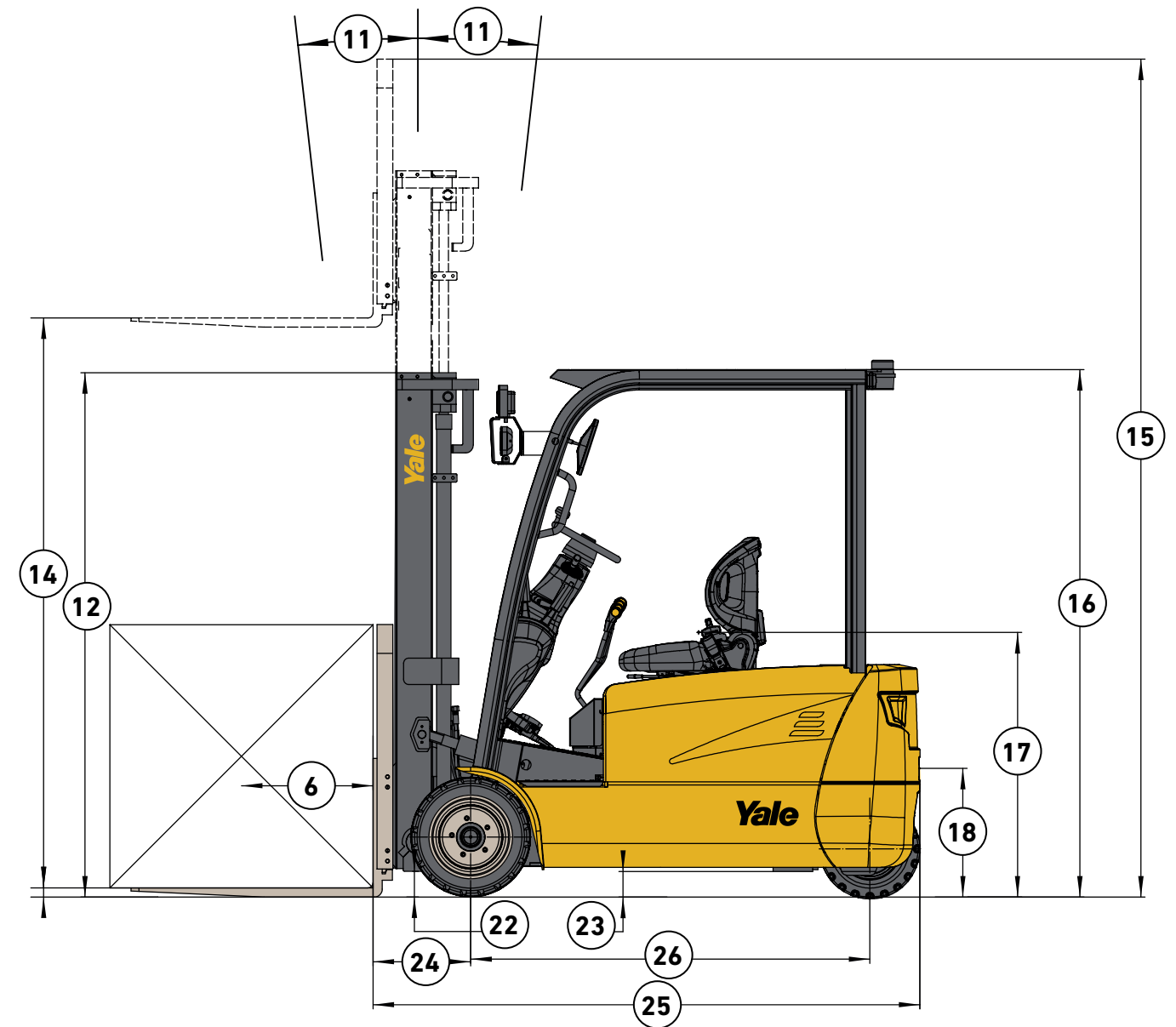
- High visibility mast with soft landing absorbs shock
- Controlled mast lowering speed helps reduce damaging product
- Secure overhead guard
- Standard LED lights
- Operator presence system

SERVICE

- Brushless AC traction and hydraulic motors help reduce maintenance cost
- Easy access to the drivetrain helps minimize service time
- Removable cover provides convenient access to controller assembly mounted inside the counterweight

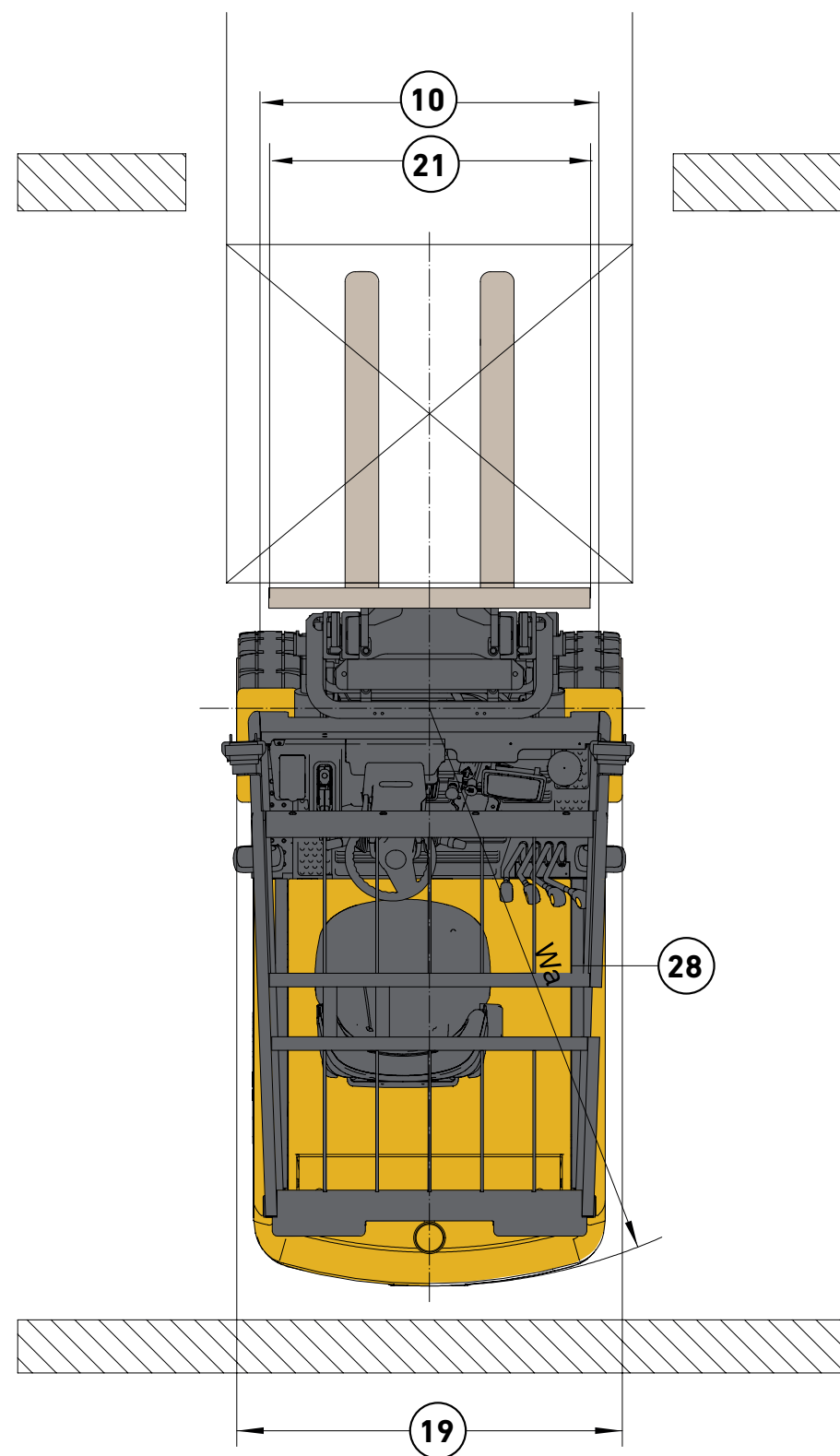


TRUCK DIMENSIONS



NOTE: The Industrial Truck Association (ITA) defines the formula for calculating Right Angle Stack on 3-wheel trucks with counter rotating load wheels as:
 $Right\ Angle\ Stack = OTR + \sqrt{(Load\ Distance + Load\ Length)^2 + \frac{(Load\ Width)^2}{2}}$ (For a 40" wide by 48" long)

TRUCK DIMENSIONS



Yale uses the above ITA formula to calculate Right Angle Stack on our 3 and 4 wheel trucks with a zero turn steer axle and counter rotating load wheels.

Some documentation incorrectly calculates Right Angle Stack on a 3-Wheel zero-turn truck with counter rotating load wheels using the following formula: Right Angle Stack = OTR + Load Distance + Load Length. This formula generates a value which is invalid and lower than actual Right Angle Stack. When making comparisons, be sure the correct ITA formula is used to calculate Right Angle Stack.

NOTE: The Industrial Truck Association (ITA) defines the formula for calculating Right Angle Stack on 3-wheel trucks with counter rotating load wheels as:
 $Right\ Angle\ Stack = OTR + \sqrt{(Load\ Distance + Load\ Length)^2 + \frac{(Load\ Width)^2}{2}}$ (For a 40" wide by 48" long)

GENERAL SPECIFICATIONS

| | | Yale | | | | | | |
|---------------------|---------------------------------------|--|-------------------------------------|-------------------|-----------------------------------|-----------------------------------|-----------------------------------|------------------------|
| DISTINGUISHING MARK | 1 | Manufacturer | Yale | | | | | |
| | 2 | Model designation | ERP32UXT | ERP35UXT | ERP40UXT | | | |
| | 3 | Power | Battery | Battery | Battery | | | |
| | 4 | Operation | Sit | Sit | Sit | | | |
| TIRES, CHASSIS | 5 | Rated capacity | lb (kg) | 3200 (1450) | 3500 (1588) | 4000 (1814) | | |
| | 6 | Load center | in (mm) | 24 (610) | 24 (610) | 24 (610) | | |
| | 7 | Tire type (std/opt) | | SE | SE | SE | | |
| | 8 | Tire size (drive/steer) | in | 18x7-8 / 15x4.5-8 | 18x7-8 / 15x4.5-8 | 200/50-10 / 15x4.5-8 | | |
| DIMENSIONS | 9 | Wheels - number x=driven (drive/steer) | | 2x/2 | 2x/2 | 2x/2 | | |
| | 10 | Tread | Ctr. of tires | Std dr/steer | in (mm) | 36.7 (933) / 7.3 (186) | 36.7 (933) / 7.3 (186) | 37.5 (952) / 7.3 (186) |
| | 11 | Mast tilt | | | | 6F / 6B | 6F / 6B | 6F / 6B |
| | 12 | Mast - lowered height | Std mast | in (mm) | 78.4 (1995) | 78.4 (1995) | 78.3 (1990) | |
| | 13 | Free lift - top of forks | Std 2stg limited free lift mast | in (mm) | 1.3 (35) | 1.3 (35) | 1.3 (35) | |
| | 14 | Lift height - top of fork | Std mast | in (mm) | 120.9 (3070) | 120.9 (3070) | 121.4 (3085) | |
| | 15 | Mast - extended height | Std mast without LBR | in (mm) | 158.7 (4030) | 158.7 (4030) | 157.5 (4000) | |
| | 16 | Overhead guard height | | in (mm) | 78.9 (2005) | 78.9 (2005) | 78.9 (2005) | |
| | 17 | Seat height | Full susp seat | in (mm) | 38.0 (965) | 38.0 (965) | 38.0 (965) | |
| | 18 | Tow pin height | | in (mm) | 17.5 (445) | 17.5 (445) | 19.1 (485) | |
| PERFORMANCE DATA | 19 | Overall width | Std tires | in (mm) | 42.7 (1085) | 42.7 (1085) | 44.9 (1140) | |
| | 20 | Forks | | in (mm) | 1.4 x 3.9 x 36 (35 x 100 x 920) | 1.4 x 3.9 x 36 (35 x 100 x 920) | 1.6 x 4.8 x 42 (40 x 120 x 1067) | |
| | 21 | Standard carriage width | Without LBR | in (mm) | 37.4 (950) | 37.4 (950) | 37.4 (950) | |
| | 22 | Ground clearance | Lowest point - RL | in (mm) | 3.5 (90) | 3.5 (90) | 3.5 (90) | |
| | 23 | Ground clearance | Center of frame - RL | in (mm) | 3.7 (96) | 3.7 (96) | 3.7 (96) | |
| | 24 | Load distance | | in (mm) | 14.6 (370) | 14.6 (370) | 14.6 (370) | |
| | 25 | Length to face of forks | | in (mm) | 77.7 (1975) | 77.7 (1975) | 82.1 (2085) | |
| | 26 | Wheelbase | | in (mm) | 55.1 (1400) | 55.1 (1400) | 59.6 (1515) | |
| | 27 | Right angle stack | | in (mm) | 128.8 (3270) | 128.8 (3270) | 133.3 (3385) | |
| | 28 | Outside turning radius | | in (mm) | 63.0 (1600) | 63.0 (1600) | 67.5 (1715) | |
| | 29 | Truck weight | | lb (kg) | 6880 (3120) | 7035 (3190) | 7455 (3380) | |
| | 30 | Axle loading - drive | | lb (kg) | 8840/1455 (4010/660) | 9745/1125 (4420/510) | 10740/1280 (4870/580) | |
| | 31 | Axle Loading - steer | | lb (kg) | 3265/3615 (1480/1640) | 3310/3725 (1500/1690) | 3485/3990 (1580/1810) | |
| ELECTRIC-MOTOR | 32 | Travel speed | RL/NL | mph (kph) | 8.7/9.9 (14/16) | 8.7/9.9 (14/16) | 8.7/9.9 (14/16) | |
| | 33 | Lift speed | RL/NL | fpm (mms) | 69.3/98.4 (352/500) | 68.9/98.4 (350/500) | 61.0/98.4 (310/500) | |
| | 34 | Lower speed | RL/NL | | 82.7/67.7 (420/344) | 82.7/75.2 (420/382) | 84.6/76.7 (430/390) | |
| | 35 | Gradability | RL/NL | % | 20/30 | 20/30 | 20/30 | |
| | 36 | Drawbarpull | RL/NL | lbf | 3485/2250 | 3485/2360 | 3485/2695 | |
| | 37 | Brake | Method of control (service/parking) | | Hydraulic/mechanical | Hydraulic/mechanical | Hydraulic/mechanical | |
| 38 | Method of operation (service/parking) | | | Foot/hand | Foot/hand | Foot/hand | | |
| ELECTRIC-MOTOR | 39 | Battery | Type | | Lead acid or thin plate pure lead | Lead acid or thin plate pure lead | Lead acid or thin plate pure lead | |
| | 40 | Voltage | | | 48 | 48 | 48 | |
| | 41 | Traction motors (dual) | S2 60 minute rating (each) | hP (kW) | 6.7 (5.0) | 6.7 (5.0) | 6.7 (5.0) | |
| | 42 | Pump motor | S3 15 minute rating | hP (kW) | 14.7 (11.0) | 14.7 (11.0) | 14.7 (11.0) | |
| | 43 | Attachment relief pressure | | psi (bar) | 2100 (145) | 2535 (175) | 2535 (175) | |
| | 44 | Auxiliary oil flow | | gal/min (l/min) | 10 (38) | 10 (38) | 10 (38) | |
| | 45 | Sound level | | dB(A) | 64.8 | 64.8 | 69.6 | |

ERP32-35UXT MAST TABLE

| Mast type | Max fork height in (mm) | Overall extended height | | | Free lift | | Mast tilt | |
|--------------|-------------------------|-------------------------|--------------|--------------|--------------|-------------|-----------|------|
| | | Lowered height | Lift height | | Without LBR | With LBR | Forward | Back |
| | | | Without LBR | With LBR | | | | |
| 2LFL | 118.1 (3000) | 77.8 (1975) | 137.5 (3490) | 157.9 (4010) | 1.4 (35) | 1.4 (35) | 6 | 6 |
| | 129.9 (3300) | 83.7 (2125) | 149.3 (3790) | 169.7 (4310) | 1.4 (35) | 1.4 (35) | 6 | 6 |
| | 137.7 (3500) | 87.6 (2225) | 157.1 (3990) | 177.6 (4510) | 1.4 (35) | 1.4 (35) | 6 | 6 |
| | 145.6 (3700) | 91.6 (2325) | 165 (4190) | 185.5 (4710) | 1.4 (35) | 1.4 (35) | 6 | 6 |
| | 157.4 (4000) | 99.5 (2525) | 176.8 (4490) | 197.3 (5010) | 1.4 (35) | 1.4 (35) | 3 | 5 |
| | 177.1 (4500) | 109.3 (2775) | 196.5 (4990) | 217 (5510) | 1.4 (35) | 1.4 (35) | 3 | 5 |
| | 196.8 (5000) | 119.1 (3025) | 216.2 (5490) | 236.7 (6010) | 1.4 (35) | 1.4 (35) | 3 | 5 |
| | 216.5 (5500) | 131 (3325) | 235.9 (5990) | 256.3 (6510) | 1.4 (35) | 1.4 (35) | 3 | 5 |
| | 236.2 (6000) | 140.8 (3575) | 255.6 (6490) | 276 (7010) | 1.4 (35) | 1.4 (35) | 3 | 5 |
| | 2FFL | 118.1 (3000) | 77.8 (1975) | 137.5 (3490) | 157.9 (4010) | 59.5 (1510) | 39 (990) | 6 |
| 129.9 (3300) | | 83.7 (2125) | 149.3 (3790) | 169.7 (4310) | 65.4 (1660) | 44.9 (1140) | 6 | 6 |
| 137.7 (3500) | | 87.6 (2225) | 157.1 (3990) | 177.6 (4510) | 69.3 (1760) | 48.9 (1240) | 6 | 6 |
| 145.6 (3700) | | 91.6 (2325) | 165 (4190) | 185.5 (4710) | 73.3 (1860) | 52.8 (1340) | 6 | 6 |
| 157.4 (4000) | | 99.5 (2525) | 176.8 (4490) | 197.3 (5010) | 81.2 (2060) | 60.7 (1540) | 3 | 5 |
| 3FFL | 157.4 (4000) | 72.9 (1850) | 176.8 (4490) | 197.3 (5010) | 54.6 (1385) | 34.1 (865) | 3 | 5 |
| | 171.2 (4350) | 77.8 (1975) | 190.6 (4840) | 211.1 (5360) | 59.5 (1510) | 39 (990) | 3 | 5 |
| | 177.1 (4500) | 79.8 (2025) | 196.5 (4990) | 217 (5510) | 61.5 (1560) | 41 (1040) | 3 | 5 |
| | 188.9 (4800) | 83.7 (2125) | 208.3 (5290) | 228.8 (5810) | 65.4 (1660) | 44.9 (1140) | 3 | 5 |
| | 196.8 (5000) | 87.6 (2225) | 216.2 (5490) | 236.7 (6010) | 69.3 (1760) | 48.9 (1240) | 3 | 5 |
| | 216.5 (5500) | 94.1 (2390) | 235.9 (5990) | 256.3 (6510) | 75.8 (1925) | 55.4 (1405) | 3 | 5 |
| | 236.2 (6000) | 101.4 (2575) | 255.6 (6490) | 276 (7010) | 83.1 (2110) | 62.6 (1590) | 3 | 5 |
| | 255.9 (6500) | 109.9 (2790) | 275.2 (6990) | 295.7 (7510) | 91.6 (2325) | 71.1 (1805) | 3 | 5 |

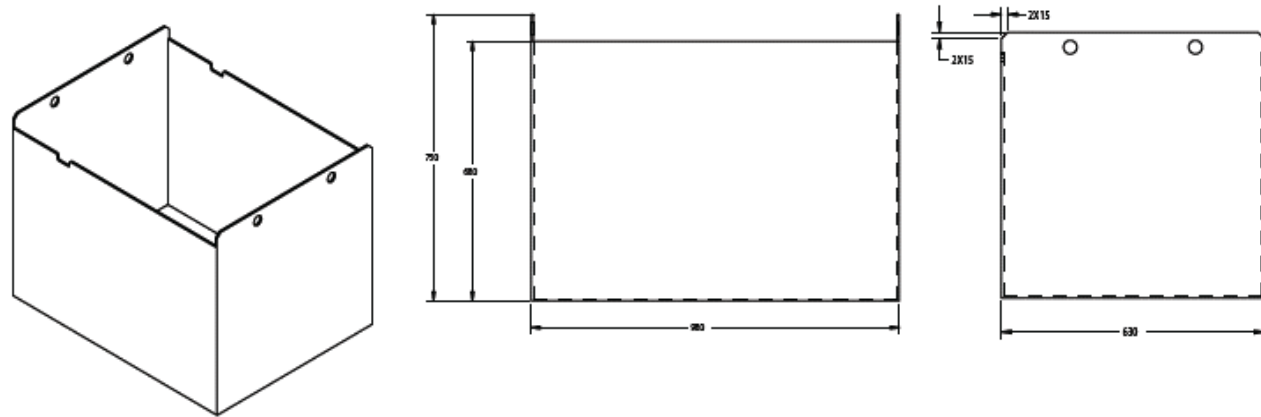
ERP40UXT MAST TABLE

| Mast type | Max fork height in (mm) | Overall extended height | | | Free lift | | Mast tilt | |
|--------------|-------------------------|-------------------------|--------------|--------------|--------------|-------------|-----------|------|
| | | Lowered height | Lift height | | Without LBR | With LBR | Forward | Back |
| | | | Without LBR | With LBR | | | | |
| 2LFL | 118.1 (3000) | 77.8 (1975) | 137.5 (3490) | 157.9 (4010) | 2.2 (54) | 2.2 (54) | 6 | 6 |
| | 129.9 (3300) | 83.7 (2125) | 149.3 (3790) | 169.7 (4310) | 2.2 (54) | 2.2 (54) | 6 | 6 |
| | 137.7 (3500) | 87.6 (2225) | 157.1 (3990) | 177.6 (4510) | 2.2 (54) | 2.2 (54) | 6 | 6 |
| | 145.6 (3700) | 91.6 (2325) | 165 (4190) | 185.5 (4710) | 2.2 (54) | 2.2 (54) | 6 | 6 |
| | 157.4 (4000) | 99.5 (2525) | 176.8 (4490) | 197.3 (5010) | 2.2 (54) | 2.2 (54) | 3 | 5 |
| | 177.1 (4500) | 109.3 (2775) | 196.5 (4990) | 217 (5510) | 2.2 (54) | 2.2 (54) | 3 | 5 |
| | 196.8 (5000) | 119.1 (3025) | 216.2 (5490) | 236.7 (6010) | 2.2 (54) | 2.2 (54) | 3 | 5 |
| | 216.5 (5500) | 131 (3325) | 235.9 (5990) | 256.3 (6510) | 2.2 (54) | 2.2 (54) | 3 | 5 |
| | 236.2 (6000) | 140.8 (3575) | 255.6 (6490) | 276 (7010) | 2.2 (54) | 2.2 (54) | 3 | 5 |
| | 2FFL | 118.1 (3000) | 77.8 (1975) | 137.5 (3490) | 157.9 (4010) | 59.5 (1510) | 39 (990) | 6 |
| 129.9 (3300) | | 83.7 (2125) | 149.3 (3790) | 169.7 (4310) | 65.4 (1660) | 44.9 (1140) | 6 | 6 |
| 137.7 (3500) | | 87.6 (2225) | 157.1 (3990) | 177.6 (4510) | 69.3 (1760) | 48.9 (1240) | 6 | 6 |
| 145.6 (3700) | | 91.6 (2325) | 165 (4190) | 185.5 (4710) | 73.3 (1860) | 52.8 (1340) | 6 | 6 |
| 157.4 (4000) | | 99.5 (2525) | 176.8 (4490) | 197.3 (5010) | 81.2 (2060) | 60.7 (1540) | 3 | 5 |
| 3FFL | 157.4 (4000) | 72.9 (1850) | 176.8 (4490) | 197.3 (5010) | 54.6 (1385) | 34.1 (865) | 3 | 5 |
| | 171.2 (4350) | 77.8 (1975) | 190.6 (4840) | 211.1 (5360) | 59.5 (1510) | 39 (990) | 3 | 5 |
| | 177.1 (4500) | 79.8 (2025) | 196.5 (4990) | 217 (5510) | 61.5 (1560) | 41 (1040) | 3 | 5 |
| | 188.9 (4800) | 83.7 (2125) | 208.3 (5290) | 228.8 (5810) | 65.4 (1660) | 44.9 (1140) | 3 | 5 |
| | 196.8 (5000) | 87.6 (2225) | 216.2 (5490) | 236.7 (6010) | 69.3 (1760) | 48.9 (1240) | 3 | 5 |
| | 216.5 (5500) | 94.1 (2390) | 235.9 (5990) | 256.3 (6510) | 75.8 (1925) | 55.4 (1405) | 3 | 5 |
| | 236.2 (6000) | 101.4 (2575) | 255.6 (6490) | 276 (7010) | 83.1 (2110) | 62.6 (1590) | 3 | 5 |
| | 255.9 (6500) | 109.9 (2790) | 275.2 (6990) | 295.7 (7510) | 91.6 (2325) | 71.1 (1805) | 3 | 5 |

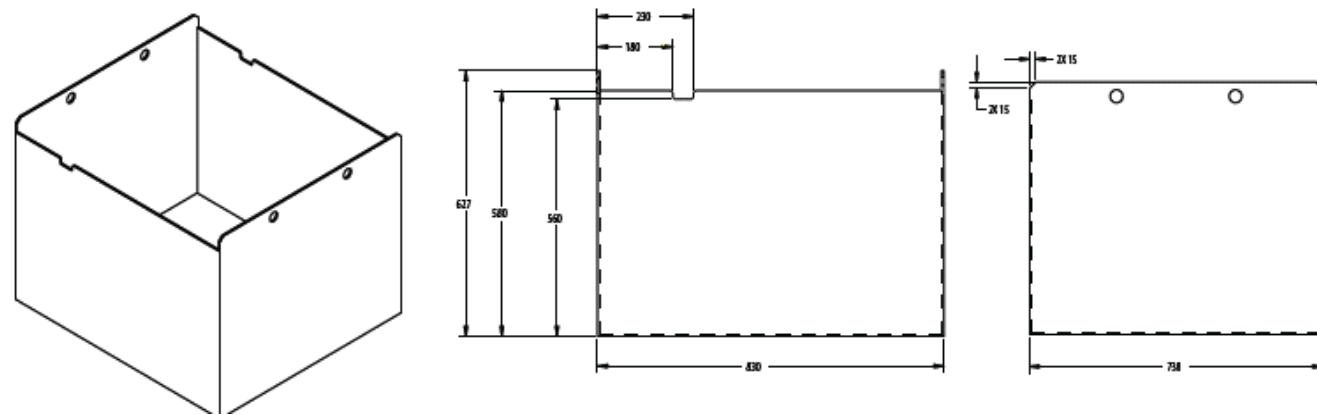
BATTERY COMPARTMENT SPECIFICATIONS

| Model | | Compartment size | | | Battery specifications | | | | | |
|-------------|------------------|------------------|------------|------------|------------------------|--------------|------------|------------|--------------|--------------|
| | | | | | Electrical | Battery size | | | Weight | |
| | | W in (mm) | L in (mm) | H in (mm) | Voltage | W in (mm) | L in (mm) | H in (mm) | Min lbs (kg) | Max lbs (kg) |
| ERP32-35UXT | Vertical Extract | 843 (33.1) | 634 (24.9) | 645 (25.3) | 48 | 830 (32.6) | 630 (24.8) | 627 (24.6) | 898 (1980) | 992 (2185) |
| ERP40UXT | Vertical Extract | 843 (33.1) | 752 (29.6) | 645 (25.3) | 48 | 830 (32.6) | 738 (29.0) | 627 (24.6) | 1034 (1980) | 1142 (2515) |

ERP32-35UXT



ERP40UXT



Battery type: "E0" (without cover)
 Battery compartment length is measured front to rear.
 Battery compartment width is measured across the truck.
 Battery lead: length 250mm (10"), position "B", 2/0 AWG

FEATURES LIST

| PERFORMANCE | STD | OPT | OPERATION CONTINUED | STD | OPT |
|--|------------|------------|--|------------|------------|
| 48-volt electrical system | ● | | Front working lights, turn light & tail lights (all lights are LED) | | ● |
| AC traction and pump motors (completely brushless) | ● | | Rear working light (LED) | | ● |
| Transistor drive and pump control | ● | | Strobe LED Light (low mounted) | | ● |
| Progressive thermal management system | ● | | Blue spot lights | | ● |
| Dual drive motors | ● | | Parking alarm | ● | |
| DRIVE | STD | OPT | Audible alarm | | ● |
| Solid pneumatic tires | ● | | Rear handle and horn button | | ● |
| Non-marking solid pneumatic drive and steer tires | | ● | Speed limit (factory setting according to customer's requirement) | | ● |
| LIFT | STD | OPT | Speed limit when mast is raised (mast lift, truck speed limited to 3 km/h) | | ● |
| 2-stage limited free lift (LFL) mast with maximum fork height of 130" (3300mm) | ● | | DC to DC converter (output 5V 50W) | | ● |
| Available with 2-stage limited free lift (LFL) and 2- or 3-stage full free lift (FFL) mast | | ● | USB Port | | ● |
| Mast tilt 6° forward / 6° backward | ● | | 12V power port (output 12V 50W) | | ● |
| Mast tilt 3° forward / 6° backward | | ● | Operator presence system (OPS) | ● | |
| Load weight indicator | | ● | HANDLING | STD | OPT |
| ERGONOMICS | STD | OPT | 39" (970 mm) wide class II | ● | |
| Non-suspension seat (vinyl) with seat belt and hip restraints | ● | | 36.6" (930 mm) tall, or 42.5" (1080mm) tall load back rest | ● | |
| Full Suspension seat (vinyl) with seat belt and hip restraint | | ● | Integral side shift | | ● |
| Seat belt interlock | | ● | Integral side shift forkpositioner | | ● |
| Sequential seat belt interlock | | ● | SUPPLEMENTAL | STD | OPT |
| Side mirrors | | ● | 12 month / 2,000 hour full truck warranty | ● | |
| OPERATION | STD | OPT | 36 month / 6,000 hour powertrain warranty | ● | |
| Standard construction - operating temperatures -5°C to +48°C | ● | | Operating manual | ● | |
| Cold storage (to -18°C) | | ● | | | |
| Vertical battery extraction (lift out) | ● | | | | |
| Cowl mounted mechanical levers | ● | | | | |
| 3 function hydraulic control valve | ● | | | | |
| 4 function hydraulic control valve | | ● | | | |

About Yale

Yale Lift Truck Technologies leverages over a century of material handling experience and substantial investment in innovation to bring the most advanced technology-driven lift truck solutions to market. The company offers a full line of award-winning lift trucks, including reach trucks, order pickers, turret trucks, pallet jacks and trucks, pallet stackers, tow tractors and counterbalanced forklifts, as well as powerful operator assist solutions, proven robotics and a wide range of power sources to help customers adapt to today's demanding supply chain. Yale and its independent dealer network support these solutions with comprehensive after-sales service, parts, financing and training.




Yale Lift Truck Technologies
P.O. Box 7367
Greenville, NC 27835-7367
U.S.A.



EXPLORE MORE
ONLINE.



yale.com

© 2023 Hyster-Yale Group, Inc., all rights reserved. YALE and  are trademarks of Hyster-Yale Group, Inc.

Trucks may be shown with optional equipment and/or features not available in all regions. Truck performance may be affected by the condition of the vehicle, how it is equipped and the application. Specifications are subject to change without notice. Consult your Yale® Dealer if any of the information shown is critical to your application.

CERTIFICATION: Yale lift trucks meet the design and construction requirements of B56.1-1969, per OSHA Section 1910.178(a)(2), and also comply with the B56.1 revision in effect at time of manufacture.

MATERIALS HANDLING FOR:

Third-party logistics (3PL)

Auto parts distribution

Beverage

Cold & frozen foods

Food distribution

Food processing

Furniture & furnishings

Government

Health & pharma

Home centers & durables

Retail & e-commerce