

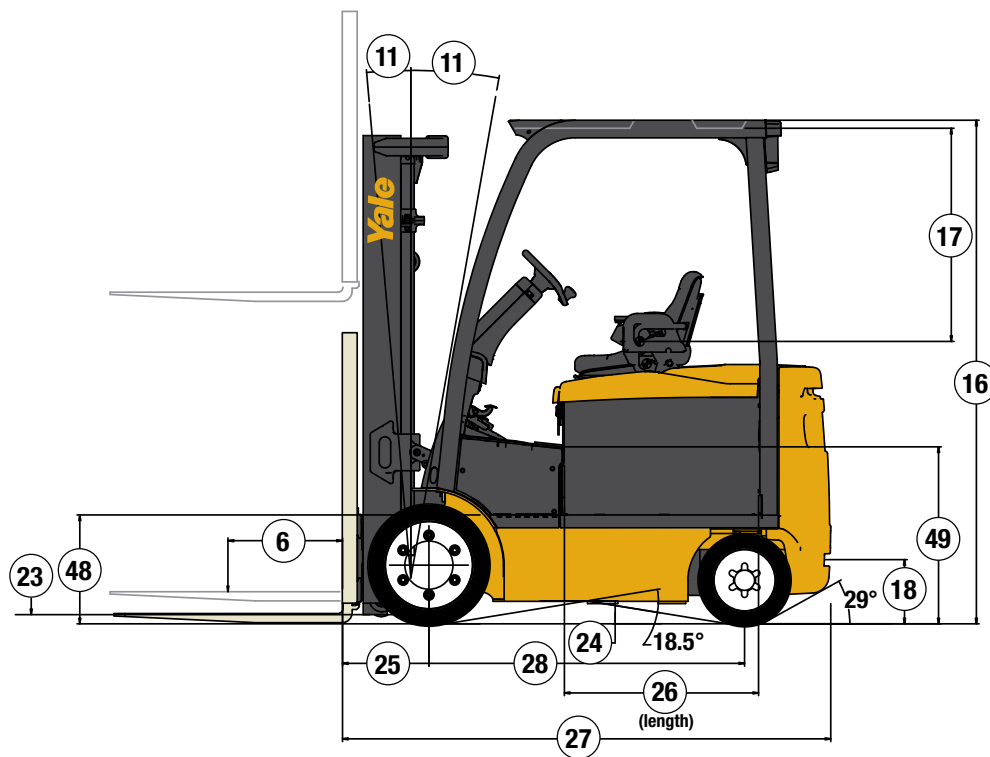
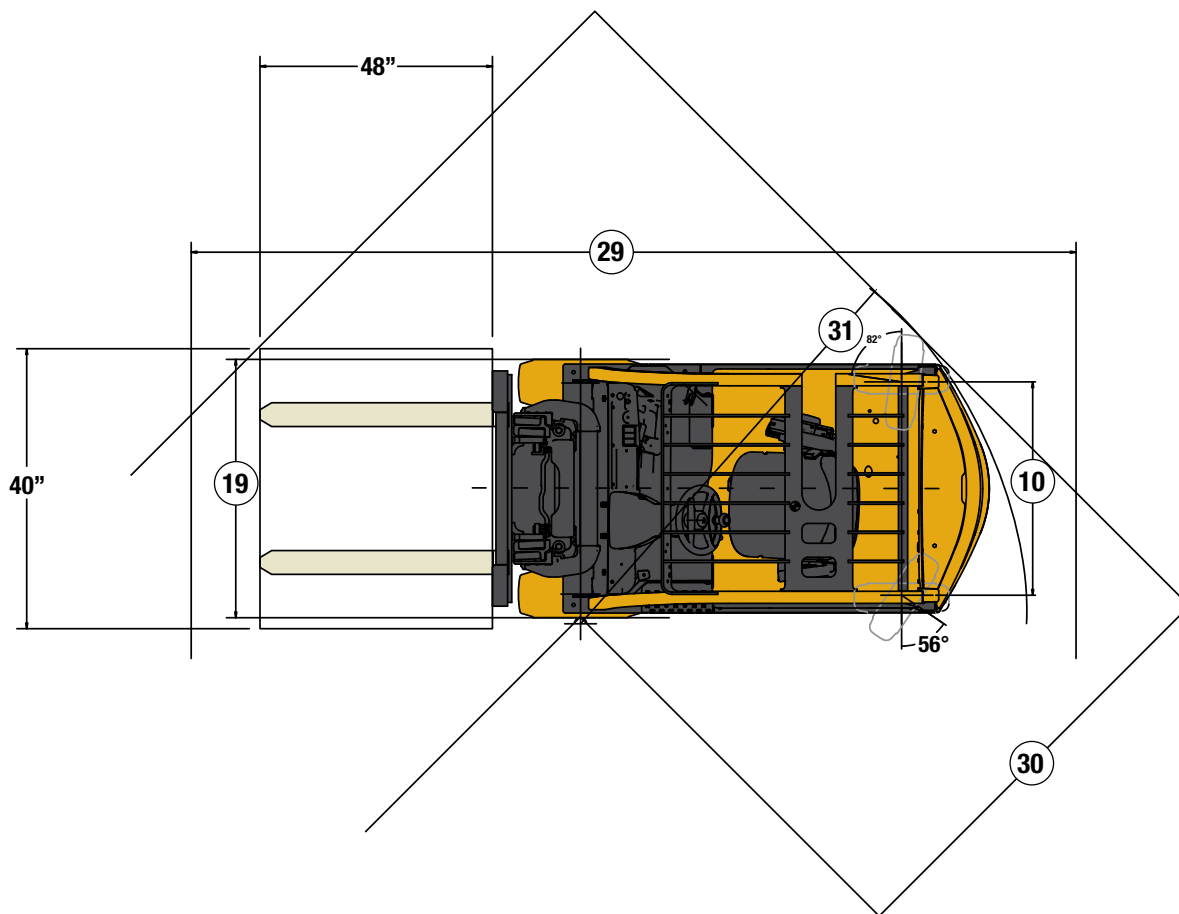


ERC 045-070VG

SPEC SHEET

Cushion tire electric
counterbalanced forklift

4,500-7,000 lbs.



Circled truck dimensions correspond to the line numbers in the General Specifications chart. Dimensions are listed in inches (millimeters).

GENERAL SPECIFICATIONS - ERC045VG

GENERAL	1	Manufacturer		Yale						
	2	Model designation		ERC045VG						
	3	Power		Electric						
	4	Operation		Sit						
	5	Rated capacity	lb. (kg)	4500 (2041)						
	6	Load center	in. (mm)	24 (610)						
TIRES	7	Tire type - cushion, solid, pneumatic, etc.		Drive/steer		Cushion/cushion				
	8	Tire size		Drive/steer	in.	21 x 7 x 15 /16 x 5 x 10.5				
	9	Wheels - number	X=Driven	Drive/steer		2X/2				
	10	Tread	¢ Tires	Std dr/wide dr/steer	in. (mm)	35.1/41.9/37 (892/1064/940)				
DIMENSIONS	11	Mast tilt		Std opt opt	degrees	5F/5B 10F/5B (5F/4B)				
	12	Mast	Lowered height	Std mast	in. (mm)	83 (2085)				
	13	Free lift - top of fork	Std 2-stg limited free lift mast		in. (mm)	5 (140)				
			Opt 2-Stg full free lift mast with/without LBR		in. (mm)	33/60 (860/1525)				
	14	Lift height - top of fork	Std 2-stg limited free lift mast		in. (mm)	125 (3192)				
	15	Mast - extended height	Std mast with/without LBR		in. (mm)	174/148 (4415/3740)				
	16	Overhead guard height	Std/drive in rack/opt/opt flat plate		in. (mm)	88.5/88.5/86.5/84.1 (2248/2248/2197/2137)				
	17	SIP to bottom std OHG	Susp at mid-point	Std/susp/swivel	in. (mm)	38.3/37.4/37.3 (975/950/948)				
	18	Tow pin height	Vertical center of pin		in. (mm)	11 (280)				
	19	Overall width	Standard tread/wide tread		in. (mm)	42.1/48.9 (1070/1242)				
	20	Forks	Thickness x width x length		in. (mm)	1.6 x 3.9 x 42 (40 x 100 x 1067)				
	21	Standard carriage width	Class II		in. (mm)	38.5 (977)				
	22	Floor to top of battery rollers			in. (mm)	17.2 (436)				
	23	Ground clearance	Lowest point	NL/RL	in. (mm)	3.6/3.3 (91/85)				
			Center of truck	NL/RL	in. (mm)	3.9/3.6 (98/92)				
	24	Load distance	Center of wheel to face of forks		in. (mm)	15.4 (390)				
	25		Height	Without/with battery rollers	in. (mm)	23.9/23.3 (607/593)				
	26	Battery compartment	Width		in. (mm)	39.1 (992)				
			Nominal		SIZE	27"	30"	33"		
			Length	Actual	in. (mm)	27.6 (700)	30.9 (786)	33.3 (847)		
			Length to face of Forks		Chassis length	in. (mm)	79.4 (2016)	82 (2082)	84.3 (2143)	
	27	Wheelbase			in. (mm)	48.4 (1230)	51.8 (1316)	54.2 (1377)		
	28	Right angle stack			in. (mm)	131.7 (3344)	135.2 (3434)	137.5 (3493)		
	29	Equal aisle	90° Intersecting aisle		in. (mm)	71.7 (1822)	72.3 (1836)	73.1 (1858)		
	30	Outside turning radius			in. (mm)	68.3 (1735)	71.9 (1825)	74.2 (1884)		
	WT.	31	Truck weight	Without battery	NL	lb. (kg)	6620 (3003)	6240 (2830)	6280 (2849)	
		32	Axle loading -drive	Static w/ max. wt. battery	NL/RL	lb. (kg)	3945/12102 (1789/5489)	4189/12107 (1900/5492)	4386/12152 (1989/5512)	
		33	Axle loading - steer	Static w/ max. wt. battery	NL/RL	lb. (kg)	5968/2311 (2707/1048)	5556/2138 (2520/970)	5796/2529 (2629/1147)	
	PERFORMANCE	34	Travel speed	Extended shift OFF	NL/RL	mph (km/h)	10.9/9.9 (17.6/15.9)	11.3/11.3 (18.2/18.2)	12.3/12.8 (19.8/20.6)	12.3/12.5 (19.8/20.1)
				Extended shift ON	NL/RL	mph (km/h)	9.8/8.8 (15.8/14.2)	10.7/9.9 (17.2/15.9)	12.2/12.4 (19.7/19.9)	12.2/12.3 (19.7/19.8)
		35	Lift speed	Std 2-stg LFL mast	NL/RL	ft/min (m/sec)	100/59 (0.51/0.3)	124/79 (0.63/0.4)	142/102 (0.72/0.52)	142/102 (0.72/0.52)
Opt 2-stg FFL mast				NL/RL	ft/min (m/sec)	93/59 (0.47/0.3)	124/81 (0.63/0.41)	130/98 (0.66/0.5)	130/98 (0.66/0.5)	
Opt 3-stg FFL mast				NL/RL	ft/min (m/sec)	94/59 (0.48/0.3)	124/79 (0.63/0.4)	134/100 (0.68/0.51)	134/100 (0.68/0.51)	
Opt 4-stg FFL mast				NL/RL	ft/min (m/sec)	96/59 (0.49/0.3)	0.67/79 (0.63/0.4)	136/100 (0.69/0.51)	136/100 (0.69/0.51)	
36		Lower speed	Std 2-stg LFL mast	NL/RL	ft/min (m/sec)	100/112 (0.51/0.57)				
			Opt 2-stg FFL mast	NL/RL	ft/min (m/sec)	91/102 (0.46/0.52)				
			Opt 3-stg FFL mast	NL/RL	ft/min (m/sec)	93/106 (0.47/0.54)				
			Opt 4-stg FFL mast	NL/RL	ft/min (m/sec)	77/89 (0.39/0.45)				
37		Gradeability	5 Minute rating	NL/RL	%	39/23	40/25	39/27	39/34	
			60 Minute rating	NL/RL	%	14/8	15/9	25/16	32/20	
38		Drawbar pull	5 Minute rating	NL/RL	lbf	3373/3202	3486/3306	3773/3946	3773/4968	
			60 Minute rating	NL/RL	lbf	1317/1178	1402/1262	2545/2375	3208/3026	
39	Brake	Method of control	Service/parking		Hydraulic/mechanical					
		Method of operation	Service/parking		Foot/foot					
ELECTRIC	40	Battery	Type	Lead acid Thin Plate Pure Lead* Lithium-ion*						
				Standard performance		Premium performance package				
	41	Traction motor	60 Minute rating	hp (kW)	36	48	48	80		
				hp (kW)	24.7 (18.4)	24.7 (18.4)	31.6 (23.6)	31.6 (23.6)		
42	Pump motor	15% Rating	hp (kW)	16.6 (12.4)	22.4 (16.7)	31.8 (23.7)	32.2 (24)			
43	Traction motor	Type/control method	AC/transistor							
44	Pump motor	Type/control method	AC/transistor							
45	Number of speeds	Traction/pump	Infinitely variable/infinitely variable							
OTHER	46	Step height			in. (mm)	18.7 (475)				
	47	Floor height	Lowest point		in. (mm)	30.4 (772)				
	48	Attachment relief pressure			psi (bar)	2250 (155)				
	49	Auxiliary oil flow	3rd and 4th function		gal/min (l/min)	11 (40)				
50	Sound level	Measured per ANSI B56.11.5		dB (A)	60	60	65	65		

*Optional with Yale Power Key

Above specifications, unless otherwise listed, are for a standard truck without optional equipment.

Right angle stack and equal intersecting aisle dimensions provided with a 48" long and 40" wide pallet load, allowing zero clearance.

GENERAL SPECIFICATIONS - ERC050VG

GENERAL	1	Manufacturer		Yale						
	2	Model designation		ERC050VG						
	3	Power		Electric						
	4	Operation		Sit						
	5	Rated capacity	lb. (kg)	5000 (2268)						
	6	Load center	in. (mm)	24 (610)						
TIRES	7	Tire type - cushion, solid, pneumatic, etc.		Drive/steer		Cushion / cushion				
	8	Tire Size		Drive/steer	in.	21 x 7 x 15 / 16 x 5 x 10.5				
	9	Wheels - number	X=Driven	Drive/steer		2X / 2				
	10	Tread	¢ Tires	Std dr/wide dr/steer	in. (mm)	35.1/41.9/37 (892/1064/940)				
DIMENSIONS	11	Mast tilt		Std opt opt	degrees	5F/5B 10F/5B (5F/4B)				
	12	Mast	Lowered height	Std mast	in. (mm)	83 (2085)				
	13	Free lift - top of fork	Std 2-stg limited free lift mast		in. (mm)	5 (140)				
			Opt 2-stg full free lift mast with/without LBR		in. (mm)	33/60 (860/1525)				
	14	Lift height - top of fork	Std 2-stg limited free lift mast		in. (mm)	125 (3192)				
	15	Mast - extended height	Std mast with/without LBR		in. (mm)	174/148 (4415/3740)				
	16	Overhead guard height	Std/drive in rack/opt/opt flat plate		in. (mm)	88.5/88.5/86.5/84.1 (2248/2248/2197/2137)				
	17	SIP to bottom std OHG	Susp at mid-point	Std/susp/swivel	in. (mm)	38.3/37.4/37.3 (975/950/948)				
	18	Tow pin height	Vertical center of pin		in. (mm)	11 (280)				
	19	Overall width	Standard tread/wide tread		in. (mm)	42.1/48.9 (1070/1242)				
	20	Forks	Thickness x width x length		in. (mm)	1.6 x 3.9 x 42 (40 x 100 x 1067)				
	21	Standard carriage width	Class II		in. (mm)	38.5 (977)				
	22	Floor to top of battery rollers			in. (mm)	17.2 (436)				
	23	Ground clearance	Lowest point		NL/RL	in. (mm)	3.6/3.3 (91/85)			
			Center of truck		NL/RL	in. (mm)	3.9/3.6 (98/92)			
	24	Load distance	Center of wheel to face of forks		in. (mm)	15.4 (390)				
	26	Battery compartment	Height		Without/with battery rollers	in. (mm)	23.9/23.3 (607/593)			
			Width			in. (mm)	39.1 (992)			
			Nominal		SIZE		27"	30"	33"	
			Length		Actual	in. (mm)	27.6 (700)	30.9 (786)	33.3 (847)	
	27	Length to face of forks	Chassis length		in. (mm)	80.3 (2040)	82.8 (2102)	84.3 (2143)		
	28	Wheelbase			in. (mm)	48.4 (1230)	51.8 (1316)	54.2 (1377)		
	29	Right angle stack			in. (mm)	132.5 (3366)	135.2 (3434)	137.5 (3493)		
	30	Equal aisle	90° Intersecting aisle		in. (mm)	71.8 (1823)	72.5 (1842)	73.1 (1858)		
	31	Outside turning radius			in. (mm)	69.2 (1757)	71.9 (1825)	74.2 (1884)		
	WT.	32	Truck weight	Without battery	NL	lb. (kg)	7030 (3189)	6670 (3025)	6280 (2849)	
		33	Axle loading - drive	Static w/ max. wt. battery	NL/RL	lb. (kg)	3844/12907 (1744/5855)	4114/12911 (1866/5856)	4386/13015 (1989/5904)	
		34	Axle loading - steer	Static w/ max. wt. battery	NL/RL	lb. (kg)	6477/2414 (2938/1095)	6053/2255 (2746/1023)	5796/2166 (2629/982)	
	PERFORMANCE	36	Travel speed	Extended shift OFF	NL/RL	mph (km/h)	Standard performance		Premium performance package	
							36	48	48	80
		37	Lift speed	Std 2-stg LFL mast	NL/RL	ft/min (m/sec)	10.7/9.6 (17.3/15.4)	11.3/11.3 (18.2/18.2)	12.3/12.8 (19.8/20.6)	12.3/12.5 (19.8/20.1)
NL/RL					ft/min (m/sec)	9.7/8.7 (15.6/14)	10.6/9.8 (17.1/15.8)	12.2/12.4 (19.7/19.9)	12.2/12.2 (19.7/19.7)	
NL/RL					ft/min (m/sec)	100/55 (0.51/0.28)	124/75 (0.63/0.38)	142/96 (0.72/0.49)	142/96 (0.72/0.49)	
NL/RL					ft/min (m/sec)	93/57 (0.47/0.29)	124/77 (0.63/0.39)	130/93 (0.66/0.47)	130/93 (0.66/0.47)	
NL/RL					ft/min (m/sec)	94/57 (0.48/0.29)	124/77 (0.63/0.39)	134/94 (0.68/0.48)	134/94 (0.68/0.48)	
38		Lower speed	Std 2-stg LFL mast	NL/RL	ft/min (m/sec)	100/112 (0.51/0.57)				
				NL/RL	ft/min (m/sec)	91/106 (0.46/0.54)				
				NL/RL	ft/min (m/sec)	93/108 (0.47/0.55)				
				NL/RL	ft/min (m/sec)	77/91 (0.39/0.46)				
39		Gradeability	5 Minute rating	NL/RL	%	35/20	36/21	39/25	39/33	
			60 Minute rating	NL/RL	%	13/7	14/8	25/15	32/19	
40		Drawbar pull	5 Minute rating	NL/RL	lbf	3358/3152	3464/3257	3773/3909	3773/4926	
			60 Minute rating	NL/RL	lbf	1295/1129	1380/1212	2545/2345	3208/2993	
41	Brake	Method of control		Service/parking						
		Method of operation		Service/parking						
ELECTRIC	42	Battery	Type		Lead acid Thin Plate Pure Lead* Lithium-ion*					
					Standard performance		Premium performance package			
	43	Traction motor	60 Minute rating	VOLTS		36	48	48	80	
				hp (kW)	24.7 (18.4)	24.7 (18.4)	31.6 (23.6)	31.6 (23.6)		
	44	Pump motor	15% Rating	hp (kW)		16.6 (12.4)	22.4 (16.7)	31.8 (23.7)	32.2 (24)	
	45	Traction motor	Type/control method		AC / transistor					
46	Pump motor	Type/control method		AC / transistor						
47	Number of speeds	Traction/pump		Infinitely variable / infinitely variable						
OTHER	48	Step height		in. (mm)	18.7 (475)					
	49	Floor height	Lowest point		in. (mm)	30.4 (772)				
	50	Attachment relief pressure		psi (bar)	2250 (155)					
	51	Auxiliary oil flow	3rd and 4th function		gal/min (l/min)	11 (40)				
	52	Sound level	Measured per ANSI B56.11.5		dB (A)	60	60	65	65	

*Optional with Yale Power Key

Above specifications, unless otherwise listed, are for a standard truck without optional equipment.

Right angle stack and equal intersecting aisle dimensions provided with a 48" long and 40" wide pallet load, allowing zero clearance.

GENERAL SPECIFICATIONS - ERC055VG

GENERAL	1	Manufacturer		Yale					
	2	Model designation		ERC055VG					
	3	Power		Electric					
	4	Operation		Sit					
	5	Rated capacity	lb. (kg)	5500 (2495)					
	6	Load center	in. (mm)	24 (610)					
TIRES	7	Tire type - cushion, solid, pneumatic, etc.	Drive/steer	Cushion / cushion					
	8	Tire size	Drive/steer	in.	21 x 7 x 15 / 16 x 5 x 10.5				
	9	Wheels - number	X=Driven	Drive/steer	2X / 2				
	10	Tread	¢ Tires	Std dr/wide dr/steer	in. (mm)	35.1/41.9/37 (892/1064/940)			
DIMENSIONS	11	Mast tilt	Std opt opt	degrees	5F/5B 10F/5B (5F/4B)				
	12	Mast	Lowered height	Std mast	in. (mm)	83 (2085)			
	13	Free lift - top of fork	Std 2-stg limited free lift mast		in. (mm)	5 (140)			
			Opt 2-stg full free lift mast with/without LBR		in. (mm)	33/60 (860/1525)			
	14	Lift height - top of fork	Std 2-stg limited free lift mast		in. (mm)	125 (3192)			
	15	Mast - extended height	Std mast with/without LBR		in. (mm)	174/148 (4415/3740)			
	16	Overhead guard height	Std/drive in rack/opt/opt flat plate		in. (mm)	88.5/88.5/86.5/84.1 (2248/2248/2197/2137)			
	17	SIP to bottom std OHG	Susp at mid-point	Std/susp/swivel	in. (mm)	38.3/37.4/37.3 (975/950/948)			
	18	Tow pin height	Vertical center of pin		in. (mm)	11 (280)			
	19	Overall width	Standard tread/wide tread		in. (mm)	42.1/48.9 (1070/1242)			
	20	Forks	Thickness x width x length		in. (mm)	1.6 x 3.9 x 42 (40 x 100 x 1067)			
	21	Standard carriage width	Class II		in. (mm)	38.5 (977)			
	22	Floor to top of battery rollers			in. (mm)	17.2 (436)			
	23	Ground clearance	Lowest point	NL/RL	in. (mm)	3.6/3.3 (91/85)			
			Center of truck	NL/RL	in. (mm)	3.9/3.6 (98/92)			
	25	Load distance	Center of wheel to face of forks		in. (mm)	15.4 (390)			
	26	Battery compartment	Height	Without/with battery rollers	in. (mm)	23.9/23.3 (607/593)			
			Width		in. (mm)	39.1 (992)			
			Nominal		SIZE	33"			
			Length	Actual	in. (mm)	33.3 (847)			
	27	Length to face of forks	Chassis length		in. (mm)	85.1 (2163)			
28	Wheelbase			in. (mm)	54.2 (1377)				
29	Right angle stack			in. (mm)	137.9 (3502)				
30	Equal aisle	90° Intersecting aisle		in. (mm)	73.8 (1874)				
31	Outside turning radius			in. (mm)	74.5 (1893)				
WT.	32	Truck weight	Without battery	NL	lb. (kg)	6710 (3044)			
	33	Axle loading - drive	Static w/ max. wt. battery	NL/RL	lb. (kg)	4313/13806 (1956/6262)			
	34	Axle loading - steer	Static w/ max. wt. battery	NL/RL	lb. (kg)	6289/2297 (2853/1042)			
PERFORMANCE					Standard performance		PowerPlus performance		
					VOLTS	36	48	48	80
	36	Travel speed	Extended shift OFF	NL/RL	mph (km/h)	10.7/9.4 (17.3/15.1)	11.3/11.3 (18.2/18.2)	12.3/12.8 (19.8/20.6)	12.3/12.5 (19.8/20.1)
			Extended shift ON	NL/RL	mph (km/h)	9.6/8.5 (15.5/13.7)	10.5/9.6 (16.9/15.5)	12.2/12.4 (19.7/19.9)	12.2/12.2 (19.7/19.7)
	37	Lift speed	Std 2-stg LFL mast	NL/RL	ft/min (m/sec)	100/53 (0.51/0.27)	124/71 (0.63/0.36)	142/93 (0.72/0.47)	142/93 (0.72/0.47)
			Opt 2-stg FFL mast	NL/RL	ft/min (m/sec)	93/57 (0.47/0.29)	124/75 (0.63/0.38)	130/89 (0.66/0.45)	130/89 (0.66/0.45)
			Opt 3-stg FFL mast	NL/RL	ft/min (m/sec)	94/55 (0.48/0.28)	124/73 (0.63/0.37)	134/91 (0.68/0.46)	134/91 (0.68/0.46)
			Opt 4-stg FFL mast	NL/RL	ft/min (m/sec)	96/57 (0.49/0.29)	124/75 (0.63/0.38)	136/94 (0.69/0.48)	136/94 (0.69/0.48)
	38	Lower speed	Std 2-stg LFL mast	NL/RL	ft/min (m/sec)	100/114 (0.51/0.58)			
			Opt 2-stg FFL mast	NL/RL	ft/min (m/sec)	91/108 (0.46/0.55)			
			Opt 3-stg FFL mast	NL/RL	ft/min (m/sec)	93/110 (0.47/0.56)			
			Opt 4-stg FFL mast	NL/RL	ft/min (m/sec)	77/91 (0.39/0.46)			
	39	Gradeability	5 Minute rating	NL/RL	%	34/19	34/20	36/24	36/30
60 Minute rating			NL/RL	%	12/7	13/8	24/14	31/18	
40	Drawbar pull	5 Minute rating	NL/RL	lbf	3350/3139	3456/3243	3715/3868	3715/4881	
		60 Minute rating	NL/RL	lbf	1287/1111	1373/1198	2535/2310	3198/2956	
41	Brake	Method of control	Service/parking		Hydraulic / mechanical				
		Method of operation	Service/parking		Foot / foot				
ELECTRIC	42	Battery	Type	Lead acid Thin Plate Pure Lead* Lithium-ion*					
							Standard performance		PowerPlus performance
					VOLTS	36	48	48	80
	43	Traction motor	60 Minute rating		hp (kW)	24.7 (18.4)	24.7 (18.4)	31.6 (23.6)	31.6 (23.6)
	44	Pump motor	15% Rating		hp (kW)	16.6 (12.4)	22.4 (16.7)	31.8 (23.7)	32.2 (24)
45	Traction motor	Type/control method		AC / transistor					
46	Pump motor	Type/control method		AC / transistor					
47	Number of speeds	Traction/pump		Infinitely variable / infinitely variable					
OTHER	48	Step height			in. (mm)	18.7 (475)			
	49	Floor height	Lowest point		in. (mm)	30.4 (772)			
	50	Attachment relief pressure			psi (bar)	2250 (155)			
	51	Auxiliary oil flow	3rd and 4th function		gal/min (l/min)	11 (40)			
	52	Sound level	Measured per ANSI B56.11.5		dB (A)	60	60	65	65

*Optional with Yale Power Key

Above specifications, unless otherwise listed, are for a standard truck without optional equipment.

Right angle stack and equal intersecting aisle dimensions provided with a 48" long and 40" wide pallet load, allowing zero clearance.

GENERAL SPECIFICATIONS - ERC060VG

GENERAL	1	Manufacturer		Yale							
	2	Model designation		ERC060VG							
	3	Power		Electric							
	4	Operation		Sit							
	5	Rated capacity	lb. (kg)	6000 (2722)							
	6	Load center	in. (mm)	24 (610)							
TIRES	7	Tire type - cushion, solid, pneumatic, etc.		Drive/steer		Cushion / cushion					
	8	Tire size		Drive/steer		in. 21 x 8 x 15 / 16 x 6 x 10.5					
	9	Wheels - number	X=Driven	Drive/steer		2X / 2					
	10	Tread	¢ Tires	Std dr/wide dr/steer	in. (mm)		35.6/40.9/36 (905/1039/915)				
DIMENSIONS	11	Mast tilt		Std opt opt	degrees		5F/5B 10F/5B (5F/4B)				
	12	Mast	Lowered height	Std mast	in. (mm)		83 (2085)				
	13	Free lift - top of fork		Std 2-stg limited free lift mast		in. (mm)		5 (140)			
				Opt 2-stg full free lift mast with/without LBR		in. (mm)		33/56 (855/1440)			
	14	Lift height - top of fork		Std 2-stg limited free lift mast		in. (mm)		118 (3009)			
	15	Mast - extended height		Std mast with/without LBR		in. (mm)		167/144 (4235/3655)			
	16	Overhead guard height		Std/drive in rack/opt/opt flat plate		in. (mm)		88.5/88.5/86.5/84.1 (2248/2248/2197/2137)			
	17	SIP to bottom std OHG		Susp at mid-point	Std/susp/swivel	in. (mm)		38.3/37.4/37.3 (975/950/948)			
	18	Tow pin height		Vertical center of pin		in. (mm)		11 (280)			
	19	Overall width		Standard tread/wide tread		in. (mm)		43.6/48.9 (1108/1242)			
	20	Forks		Thickness x width x length		in. (mm)		2 x 4.9 x 42 (50 x 125 x 1067)			
	21	Standard carriage width		Class II		in. (mm)		38.5 (977)			
	22	Floor to top of battery rollers				in. (mm)		17.2 (436)			
	23	Ground clearance		Lowest point		in. (mm)		3.6/3.3 (91/85)			
				Center of truck		in. (mm)		3.7/3.6 (94/92)			
	24	Load distance		Center of wheel to face of forks		in. (mm)		15.8 (402)			
	26	Battery compartment		Height		Without/with battery rollers		in. (mm)	23.9/23.3 (607/593)		
				Width		in. (mm)		39.1 (992)			
				Nominal		SIZE		33"			
				Length		Actual		in. (mm)		33.3 (847)	
	27	Length to face of forks		Chassis length		in. (mm)		86.5 (2199)			
28	Wheelbase				in. (mm)		54.2 (1377)				
29	Right angle stack				in. (mm)		139.2 (3536)				
30	Equal aisle	90° Intersecting aisle		in. (mm)		74.2 (1885)					
31	Outside turning radius				in. (mm)		75.4 (1915)				
WT.	32	Truck weight	Without battery	NL	lb. (kg)		7350 (3334)				
	33	Axle loading - drive	Static w/ max. wt. battery	NL/RL	lb. (kg)		4474/14882 (2029/6750)				
	34	Axle loading - steer	Static w/ max. wt. battery	NL/RL	lb. (kg)		6769/2361 (3070/1071)				
PERFORMANCE					Standard performance		PowerPlus performance				
					VOLTS		36	48	48	80	
	36	Travel speed		Extended Shift OFF		NL/RL	mph (km/h)	10.6/9.1 (17/14.6)	11.3/11.3 (18.2/18.2)	12.3/12.8 (19.8/20.6)	12.3/12.5 (19.8/20.1)
				Extended Shift ON		NL/RL	mph (km/h)	9.5/8.3 (15.3/13.3)	10.4/9.4 (16.7/15.1)	12.2/12.2 (19.7/19.7)	12.2/12.1 (19.7/19.4)
	37	Lift speed		Std 2-stg LFL mast		NL/RL	ft/min (m/sec)	93/49 (0.47/0.25)	116/65 (0.59/0.33)	124/83 (0.63/0.42)	124/83 (0.63/0.42)
				Opt 2-stg FFL mast		NL/RL	ft/min (m/sec)	83/49 (0.42/0.25)	108/65 (0.55/0.33)	116/81 (0.59/0.41)	116/81 (0.59/0.41)
				Opt 3-stg FFL mast		NL/RL	ft/min (m/sec)	85/49 (0.43/0.25)	112/65 (0.57/0.33)	118/81 (0.6/0.41)	118/81 (0.6/0.41)
				Opt 4-stg FFL mast		NL/RL	ft/min (m/sec)	96/57 (0.49/0.29)	124/75 (0.63/0.38)	136/94 (0.69/0.48)	136/94 (0.69/0.48)
	38	Lower speed		Std 2-stg LFL mast		NL/RL	ft/min (m/sec)	91/110 (0.46/0.56)			
				Opt 2-stg FFL mast		NL/RL	ft/min (m/sec)	73/102 (0.37/0.52)			
				Opt 3-stg FFL mast		NL/RL	ft/min (m/sec)	79/104 (0.4/0.53)			
				Opt 4-stg FFL mast		NL/RL	ft/min (m/sec)	77/91 (0.39/0.46)			
	39	Gradeability		5 Minute rating		NL/RL	%	32/19	33/19	36/22	36/28
60 Minute rating				NL/RL	%	12/7	13/7	22/13	29/16		
40	Drawbar pull		5 Minute rating		NL/RL	lbf	3342/3124	3448/3229	3883/3820	3883/4830	
			60 Minute rating		NL/RL	lbf	1280/1094	1365/1184	2518/2269	3181/2912	
41	Brake		Method of control		Service/parking				Hydraulic / mechanical		
			Method of operation		Service/parking				Foot / foot		
ELECTRIC	42		Battery		Type		Lead acid Thin Plate Pure Lead* Lithium-ion*				
							VOLTS		36	48	48
	43	Traction motor		60 Minute rating		hp (kW)	24.7 (18.4)	24.7 (18.4)	31.6 (23.6)	31.6 (23.6)	
	44	Pump motor		15% Rating		hp (kW)	16.6 (12.4)	22.4 (16.7)	31.8 (23.7)	32.2 (24)	
45	Traction motor		Type/control method		AC / transistor						
46	Pump motor		Type/control method		AC / transistor						
47	Number of speeds		Traction/pump		Infinitely variable / Infinitely variable						
OTHER	48		Step height		in. (mm)		18.7 (475)				
	49		Floor height		Lowest point		in. (mm)		30.4 (772)		
	50		Attachment relief pressure		psi (bar)		2250 (155)				
	51		Auxiliary oil flow		3rd and 4th function		gal/min (l/min)		11 (40)		
	52		Sound level		Measured per ANSI B56.11.5		dB (A)		60	60	65

*Optional with Yale Power Key

Above specifications, unless otherwise listed, are for a standard truck without optional equipment.

Right angle stack and equal intersecting aisle dimensions provided with a 48" long and 40" wide pallet load, allowing zero clearance.

GENERAL SPECIFICATIONS - ERC065VG

GENERAL	1	Manufacturer		Yale					
	2	Model designation		ERC065VG					
	3	Power		Electric					
	4	Operation		Sit					
	5	Rated capacity	lb. (kg)	6500 (2948)					
	6	Load center	in. (mm)	24 (610)					
TIRES	7	Tire type - cushion, solid, pneumatic, etc.		Drive/steer		Cushion / cushion			
	8	Tire size		Drive/steer		in. 21 x 8 x 15 / 16 x 6 x 10.5			
	9	Wheels - number	X=Driven	Drive/steer		2X / 2			
	10	Tread	¢ Tires	Std dr/wide dr/steer	in. (mm)	35.6/40.9/36 (905/1039/915)			
DIMENSIONS	11	Mast tilt		Std opt opt	degrees	5F/5B 10F/5B (5F/4B)			
	12	Mast - lowered height		Std mast	in. (mm)	83 (2085)			
	13	Free Lift - top of fork	Std 2-stg limited free lift mast		in. (mm)	5 (140)			
			Opt 2-stg full free lift mast with/without LBR		in. (mm)	33/56 (855/1440)			
	14	Lift Height - top of fork	Std 2-stg limited free lift mast		in. (mm)	118 (3009)			
	15	Mast - extended height	Std mast with/without LBR		in. (mm)	167/144 (4235/3655)			
	16	Overhead guard height	Std/drive in rack/opt/opt flat plate		in. (mm)	88.5/88.5/86.5/84.1 (2248/2248/2197/2137)			
	17	SIP to bottom std OHG	Susp at mid-point	Std/susp/swivel	in. (mm)	38.3/37.4/37.3 (975/950/948)			
	18	Tow pin height	Vertical center of pin		in. (mm)	11 (280)			
	19	Overall width	Standard tread/wide tread		in. (mm)	43.6/48.9 (1108/1242)			
	20	Forks	Thickness x width x length		in. (mm)	2 x 4.9 x 42 (50 x 125 x 1067)			
	21	Standard carriage width	Class II		in. (mm)	38.5 (977)			
	22	Floor to top of battery rollers			in. (mm)	17.2 (436)			
	23	Ground clearance	Lowest point		NL/RL	in. (mm)	3.6/3.3 (91/85)		
			Center of truck		NL/RL	in. (mm)	3.7/3.6 (94/92)		
	24	Load distance	Center of wheel to face of forks		in. (mm)	15.8 (402)			
	26	Battery compartment	Height		Without/with battery rollers	in. (mm)	23.9/23.3 (607/593)		
			Width			in. (mm)	39.1 (992)		
			Nominal		SIZE		36"	40"	
			Length		Actual	in. (mm)	36.7 (933)	40 (1015)	
	27	Length to face of forks	Chassis Length		in. (mm)	90 (2285)	92.2 (2343)		
	28	Wheelbase			in. (mm)	57.6 (1463)	60.8 (1545)		
	29	Right angle stack			in. (mm)	142.9 (3629)	145.5 (3695)		
	30	Equal aisle	90° Intersecting aisle		in. (mm)	76.1 (1933)	77 (1956)		
	31	Outside turning radius			in. (mm)	79.1 (2008)	81.7 (2074)		
	WT.	32	Truck weight	Without battery	NL	lb. (kg)	7400 (3357)	7040 (3193)	
		33	Axle loading - drive	Static w/ max. wt. Battery	NL/RL	lb. (kg)	4640/15635 (2105/7092)	4914/15670 (2229/7108)	
		34	Axle loading - steer	Static w/ max. wt. Battery	NL/RL	lb. (kg)	6853/2359 (3108/1070)	6514/2258 (2955/1024)	
	PERFORMANCE					Standard performance		PowerPlus performance	
						VOLTS	36	48	48 80
		36	Travel speed	Extended shift OFF		NL/RL	mph (km/h)	10.6/9.1 (17/14.6)	11.3/11.3 (18.2/18.2) 12.3/12.7 (19.8/20.4) 12.3/12.4 (19.8/20)
Extended shift ON				NL/RL	mph (km/h)	9.5/8.2 (15.3/13.2)	10.4/9.3 (16.7/15) 12.2/12.1 (19.7/19.5) 12.2/11.8 (19.7/19)		
37		Lift speed	Std 2-stg LFL mast		NL/RL	ft/min (m/sec)	93/47 (0.47/0.24)	116/63 (0.59/0.32) 124/79 (0.63/0.4) 124/79 (0.63/0.4)	
			Opt 2-stg FFL mast		NL/RL	ft/min (m/sec)	83/47 (0.42/0.24)	108/63 (0.55/0.32) 116/77 (0.59/0.39) 116/77 (0.59/0.39)	
			Opt 3-stg FFL mast		NL/RL	ft/min (m/sec)	85/47 (0.43/0.24)	112/63 (0.57/0.32) 118/77 (0.6/0.39) 118/77 (0.6/0.39)	
			Opt 4-stg FFL mast		NL/RL	ft/min (m/sec)	96/57 (0.49/0.29)	124/75 (0.63/0.38) 136/94 (0.69/0.48) 136/94 (0.69/0.48)	
38		Lower speed	Std 2-stg LFL mast		NL/RL	ft/min (m/sec)	91/112 (0.46/0.57)		
			Opt 2-stg FFL mast		NL/RL	ft/min (m/sec)	73/104 (0.37/0.53)		
			Opt 3-stg FFL mast		NL/RL	ft/min (m/sec)	79/106 (0.4/0.54)		
			Opt 4-stg FFL mast		NL/RL	ft/min (m/sec)	77/91 (0.39/0.46)		
39		Gradeability	5 Minute rating		NL/RL	%	31/18	31/19 37/21 37/26	
			60 Minute rating		NL/RL	%	12/6	12/7 22/12 28/16	
40		Drawbar pull	5 Minute rating		NL/RL	lbf	3335/3107	3440/3211 4084/3791 4084/4798	
	60 Minute rating		NL/RL	lbf	1274/1083	1360/1167 2513/2245 3176/2886			
41	Brake	Method of control		Service/parking		Hydraulic / mechanical			
		Method of operation		Service/parking		Foot / foot			
ELECTRIC	42	Battery	Type		Lead acid Thin Plate Pure Lead* Lithium-ion*				
							Standard performance		PowerPlus performance
					VOLTS	36	48	48 80	
	43	Traction motor	60 Minute rating		hp (kW)	24.7 (18.4)	24.7 (18.4)	31.6 (23.6) 31.6 (23.6)	
	44	Pump motor	15% Rating		hp (kW)	16.6 (12.4)	22.4 (16.7)	31.8 (23.7) 32.2 (24)	
45	Traction motor	Type/control method		AC / transistor					
46	Pump motor	Type/control method		AC / transistor					
47	Number of speeds	Traction/pump		Infinitely variable / infinitely variable					
OTHER	48	Step height		in. (mm)	18.7 (475)				
	49	Floor height	Lowest point		in. (mm)	30.4 (772)			
	50	Attachment relief pressure			psi (bar)	2250 (155)			
	51	Auxiliary oil flow	3rd and 4th function		gal/min (l/min)	11 (40)			
	52	Sound level	Measured per ANSI B56.11.5		dB (A)	60	60	65 65	

*Optional with Yale Power Key

Above specifications, unless otherwise listed, are for a standard truck without optional equipment.

Right angle stack and equal intersecting aisle dimensions provided with a 48" long and 40" wide pallet load, allowing zero clearance.

GENERAL SPECIFICATIONS ERC070VG

GENERAL	1	Manufacturer		Yale					
	2	Model designation		ERC070VG					
	3	Power		Electric					
	4	Operation		Sit					
	5	Rated capacity	lb. (kg)	7000 (3175)					
	6	Load center	in. (mm)	24 (610)					
TIRES	7	Tire type - cushion, solid, pneumatic, etc.	Drive/steer	Cushion / cushion					
	8	Tire size	Drive/steer	in.	21 x 9 x 15 / 16 x 7 x 10.5				
	9	Wheels - number	X=Driven	Drive/steer	2X / 2				
	10	Tread	¢ Tires	Std dr/wide dr/steer	in. (mm)	36.6/39.9/37 (929/1013/940)			
DIMENSIONS	11	Mast tilt	Std opt opt	degrees	5F/5B 10F/5B (5F/4B)				
	12	Mast	Lowered height	Std mast	in. (mm)	83 (2085)			
	13	Free lift - top of fork	Std 2-stg limited free lift mast		in. (mm)	5 (140)			
			Opt 2-stg full free lift mast with/without LBR		in. (mm)	33/56 (855/1440)			
	14	Lift height - top of fork	Std 2-stg limited free lift mast		in. (mm)	118 (3009)			
	15	Mast - extended height	Std mast with/without LBR		in. (mm)	167/144 (4235/3655)			
	16	Overhead guard height	Std/drive in rack/opt/opt flat plate		in. (mm)	88.5/88.5/86.5/84.1 (2248/2248/2197/2137)			
	17	SIP to bottom std OHG	Susp at mid-point	Std/susp/swivel	in. (mm)	38.3/37.4/37.3 (975/950/948)			
	18	Tow pin height	Vertical center of pin		in. (mm)	11 (280)			
	19	Overall width	Standard tread/wide tread		in. (mm)	45.6/48.9 (1158/1242)			
	20	Forks	Thickness x width x length		in. (mm)	2 x 4.9 x 42 (50 x 125 x 1067)			
	21	Standard carriage width	Class II		in. (mm)	38.5 (977)			
	22	Floor to top of battery rollers			in. (mm)	17.2 (436)			
	23	Ground clearance	Lowest point	NL/RL	in. (mm)	3.6/3.3 (91/85)			
			Center of truck	NL/RL	in. (mm)	3.7/3.6 (94/92)			
	24	Load distance	Center of wheel to face of forks		in. (mm)	15.8 (402)			
	26	Battery compartment	Height	Without/with battery rollers	in. (mm)	23.9/23.3 (607/593)			
			Width		in. (mm)	39.1 (992)			
			Nominal		SIZE	40"			
			Length	Actual	in. (mm)	40 (1015)			
	27	Length to face of forks	Chassis length		in. (mm)	93.1 (2367)			
28	Wheelbase			in. (mm)	60.8 (1545)				
29	Right angle stack			in. (mm)	146.3 (3715)				
30	Equal aisle	90° Intersecting aisle		in. (mm)	77.4 (1965)				
31	Outside turning radius			in. (mm)	82.4 (2094)				
WT.	32	Truck weight	Without battery	NL	lb. (kg)	7500 (3402)			
	33	Axle loading - drive	Static w/ max. wt. battery	NL/RL	lb. (kg)	4868/16451 (2208/7462)			
	34	Axle loading - steer	Static w/ max. wt. battery	NL/RL	lb. (kg)	7022/2439 (3185/1106)			
PERFORMANCE					Standard performance		Premium performance package		
					VOLTS				
	36	Travel speed	Extended shift OFF	NL/RL	mph (km/h)	10.6/9 (17/14.5)	11.3/11.3 (18.2/18.2)	12.3/12.6 (19.8/20.3)	12.3/12.3 (19.8/19.8)
			Extended shift ON	NL/RL	mph (km/h)	9.4/8.1 (15.2/13.1)	10.3/9.3 (16.6/14.9)	12.2/12.1 (19.7/19.4)	12.2/11.9 (19.7/19.1)
	37	Lift speed	Std 2-stg LFL mast	NL/RL	ft/min (m/sec)	93/45 (0.47/0.23)	116/61 (0.59/0.31)	124/73 (0.63/0.37)	124/73 (0.63/0.37)
			Opt 2-stg FFL mast	NL/RL	ft/min (m/sec)	83/45 (0.42/0.23)	108/61 (0.55/0.31)	116/73 (0.59/0.37)	116/73 (0.59/0.37)
			Opt 3-stg FFL mast	NL/RL	ft/min (m/sec)	85/45 (0.43/0.23)	112/61 (0.57/0.31)	118/73 (0.6/0.37)	118/73 (0.6/0.37)
			Opt 4-stg FFL mast	NL/RL	ft/min (m/sec)	96/57 (0.49/0.29)	124/75 (0.63/0.38)	136/94 (0.69/0.48)	136/94 (0.69/0.48)
	38	Lower speed	Std 2-stg LFL mast	NL/RL	ft/min (m/sec)	91/114 (0.46/0.58)			
			Opt 2-stg FFL mast	NL/RL	ft/min (m/sec)	73/106 (0.37/0.54)			
			Opt 3-stg FFL mast	NL/RL	ft/min (m/sec)	79/0.5 (0.4/0.56)			
			Opt 4-stg FFL mast	NL/RL	ft/min (m/sec)	77/91 (0.39/0.46)			
	39	Gradeability	5 Minute rating	NL/RL	%	29/17	29/18	36/19	37/25
60 Minute rating			NL/RL	%	10/6	11/6	21/11	27/14	
40	Drawbar pull	5 Minute rating	NL/RL	lbf	3329/3089	3428/3201	4101/3744	4193/4745	
		60 Minute rating	NL/RL	lbf	1269/1072	1355/1149	2502/2204	3165/2842	
41	Brake	Method of control	Service/parking		Hydraulic / mechanical				
		Method of operation	Service/parking		Foot / foot				
ELECTRIC	42	Battery	Type	Lead acid Thin Plate Pure Lead* Lithium-ion*					
							Standard performance		Premium performance package
	43	Traction motor	60 Minute rating		VOLTS	36	48	48	80
				hp (kW)	24.7 (18.4)	24.7 (18.4)	31.6 (23.6)	31.6 (23.6)	
	44	Pump motor	15% Rating	hp (kW)	16.6 (12.4)	22.4 (16.7)	31.8 (23.7)	32.2 (24)	
45	Traction motor	Type/control method		AC / transistor					
46	Pump motor	Type/control method		AC / transistor					
47	Number of speeds	Traction/pump		Infinitely variable / Infinitely variable					
OTHER	48	Step height		in. (mm)	18.7 (475)				
	49	Floor height	Lowest point	in. (mm)	30.4 (772)				
	50	Attachment relief pressure			psi (bar)	2250 (155)			
	51	Auxiliary oil flow	3rd and 4th function		gal/min (l/min)	11 (40)			
	52	Sound level	Measured per ANSI B56.11.5		dB (A)	60	60	65	65

*Optional with Yale Power Key

Above specifications, unless otherwise listed, are for a standard truck without optional equipment.

Right angle stack and equal intersecting aisle dimensions provided with a 48" long and 40" wide pallet load, allowing zero clearance.

BATTERY AND COMPARTMENT SPECIFICATIONS - ERC045-070VG

Model	Compartment dim			Battery dim - max			Volts	No. of cells	Max capacity 6 hour rate"	Weight	
	Width	Length	Height	"X"	"Y"	"Z"				Min	Max
	in. (mm)								amp hr (kwh)	lb. (kg)	
ERC045-050VG 27" Compartment	39.1 (992)	27.6 (700)	23.9 (607)	38.7 (983)	27.2 (691)	23.5 (597)	36	18	1100 (38.3)	2300 (1050)	3300 (1500)
							48	24	800 (37.2)		
							80	40	375 (29.3)		
ERC045-050VG 30" Compartment	39.1 (992)	30.9 (786)	23.9 (607)	38.7 (983)	30.6 (777)	23.5 (597)	36	18	1200 (41.9)	2500 (1150)	3500 (1600)
							48	24	900 (42)		
							80	40	400 (31.2)		
ERC045-060VG 33" Compartment	39.1 (992)	33.3 (847)	23.9 (607)	38.7 (983)	33 (838)	23.5 (597)	36	18	1300 (45.4)	2900 (1320)	3900 (1770)
							48	24	1000 (46.6)		
							80	40	450 (35.1)		
ERC065VG 36" Compartment	39.1 (992)	36.7 (933)	23.9 (607)	38.7 (983)	36.4 (924)	23.5 (597)	36	18	1500 (52.4)	3100 (1410)	4100 (1860)
							48	24	1100 (51.1)		
							80	40	600 (46.8)		
ERC065-070VG 40" Compartment	39.1 (992)	40 (1015)	23.9 (607)	38.7 (983)	39.6 (1006)	23.5 (597)	36	18	1600 (55.8)	3400 (1550)	4400 (2000)
							48	24	1200 (55.9)		
							80	40	600 (46.8)		

Battery type: "E0" (without cover)

Battery amp hr (kwh) capacity is max allowable per UL

Commercially available lead acid or lithium-ion batteries may not necessarily reach these max limits

Battery roller option reduces battery compartment height to 23.3" (593mm) & max battery height to 23.0" (583mm)

Battery compartment length is measured front to rear. Battery compartment width is measured across the truck

Battery notes - conventional charging (option BCSSBC)

Battery connector: 36 volt - Gray SB®350 (Anderson Power Products® P/N 6320G1 or equivalent)

48 volt - Blue SB®350 (Anderson Power Products® P/N 6321G1 or equivalent)

80 volt - Black SBE®320 (Anderson Power Products® P/N E6363G1 or equivalent)

Battery lead: length 20" (508 mm), position "B", 2/0 AWG

Battery notes - rapid/fast charging (option BAFBC)

NOTE: A site survey is required to confirm your application is a candidate for rapid charge and to determine the battery and charger specifications required. Contact your battery and charger supplier.

Battery connector: requires dual positive/negative cabling terminating in (2) female EBC-320 DIN connectors (Anderson Power Products® P/N A32503-0009 or equivalent)

Each individual DIN connector to include 1 red conductor to (+) and 1 black conductor to (-)

Battery lead: length 25" (635 mm), position "B", minimum cable size 3/0 AWG

MAST DIMENSIONS - ERC045-055VG

Maximum fork height (TOF)	Overall lowered height	Overall extended height		Free lift (TOF)		Approx. total wt. of standard equipped truck w/o battery		
		w/ Load backrest	w/o Load backrest	w/ Load backrest	w/o Load backrest	ERC045VG	ERC050VG	ERC055VG
in. (mm)	in. (mm)	in. (mm)	in. (mm)	in. (mm)	in. (mm)	lbs. (kg)	lbs. (kg)	lbs. (kg)
2-STAGE LIMITED FREE-LIFT (LFL) HI-VIS™2 MAST								
125 (3192)	83 (2085)	174 (4415)	147 (3749)	5 (140)	5 (140)	6860 (3112)	7270 (3298)	6950 (3152)
133 (3392)	86 (2185)	182 (4615)	155 (3949)	5 (140)	5 (140)	7060 (3202)	7470 (3388)	7150 (3243)
137 (3492)	88 (2235)	186 (4715)	159 (4049)	5 (140)	5 (140)	7160 (3248)	7570 (3434)	7250 (3289)
2-STAGE FULL FREE-LIFT (FFL) HI-VIS™ MAST								
126 (3202)	83 (2085)	175 (4425)	148 (3759)	33 (862)	60 (1528)	6960 (3157)	7370 (3343)	7050 (3198)
133 (3402)	86 (2185)	183 (4625)	155 (3959)	37 (964)	64 (1628)	7160 (3248)	7570 (3434)	7250 (3289)
137 (3502)	88 (2235)	186 (4725)	159 (4059)	39 (1012)	66 (1678)	7260 (3293)	7670 (3479)	7350 (3334)
3-STAGE FULL FREE-LIFT (FFL) HI-VIS™2 MAST								
189 (4800)	83 (2085)	238 (6023)	210 (5399)	33 (862)	60 (1546)	7460 (3384)	7870 (3570)	7550 (3425)
194 (4950)	85 (2135)	243 (6173)	216 (5489)	36 (917)	62 (1596)	7480 (3393)	7890 (3579)	7570 (3434)
200 (5100)	88 (2235)	249 (6323)	222 (5639)	39 (1012)	66 (1696)	7530 (3416)	7940 (3602)	7620 (3456)
218 (5550)	94 (2385)	267 (6773)	239 (6089)	45 (1162)	72 (1846)	7610 (3452)	8020 (3638)	7700 (3493)
236 (6000)	102 (2585)	285 (7223)	257 (6539)	53 (1362)	80 (2046)	7690 (3488)	8100 (3674)	7780 (3529)
4-STAGE FULL FREE-LIFT (FFL) HI-VIS™ MAST								
240 (6098)	84 (2133)	289 (7321)	263 (6678)	35 (910)	61 (1553)	8000 (3629)	8410 (3815)	8090 (3670)
252 (6404)	88 (2235)	301 (7627)	275 (6984)	39 (1012)	65 (1655)	8070 (3660)	8480 (3846)	8160 (3701)
264 (6710)	92 (2336)	313 (7933)	287 (7290)	43 (1113)	69 (1756)	8140 (3692)	8550 (3878)	8230 (3733)

MAST DIMENSIONS - ERC060-070VG

Maximum fork height (TOF)	Overall lowered height	Overall extended height		Free lift (TOF)		Approx. total wt. of standard equipped truck w/o battery		
		w/ Load backrest	w/o Load backrest	w/ Load backrest	w/o Load backrest	ERC045VG	ERC050VG	ERC055VG
in. (mm)	in. (mm)	in. (mm)	in. (mm)	in. (mm)	in. (mm)	lbs. (kg)	lbs. (kg)	lbs. (kg)
2-STAGE LIMITED FREE-LIFT (LFL) HI-VIS™2 MAST								
118 (3009)	83 (2085)	167 (4237)	143 (3654)	5 (150)	5 (150)	7570 (3434)	7750 (3515)	7850 (3561)
126 (3209)	86 (2185)	175 (4437)	151 (3854)	5 (150)	5 (150)	7640 (3465)	7820 (3547)	7920 (3592)
130 (3309)	88 (2235)	179 (4537)	155 (3954)	5 (150)	5 (150)	7720 (3502)	7900 (3583)	8000 (3629)
2-STAGE FULL FREE-LIFT (FFL) HI-VIS™ MAST								
118 (3010)	83 (2085)	167 (4237)	144 (3655)	33 (857)	56 (1440)	7630 (3461)	7810 (3543)	7910 (3588)
126 (3210)	86 (2185)	175 (4437)	151 (3855)	37 (957)	60 (1540)	7670 (3479)	7850 (3561)	7950 (3606)
130 (3310)	88 (2235)	179 (4537)	155 (3955)	39 (1007)	62 (1590)	7810 (3543)	7990 (3624)	8090 (3670)
3-STAGE FULL FREE-LIFT (FFL) HI-VIS™2 MAST								
175 (4468)	83 (2085)	225 (5696)	200 (5095)	33 (857)	57 (1458)	8050 (3651)	8230 (3733)	8330 (3778)
181 (4618)	85 (2135)	231 (5846)	206 (5245)	35 (907)	59 (1508)	8150 (3697)	8330 (3778)	8430 (3824)
187 (4768)	88 (2235)	237 (5996)	212 (5395)	39 (1007)	63 (1608)	8240 (3738)	8420 (3819)	8520 (3865)
205 (5218)	94 (2385)	254 (6446)	230 (5845)	45 (1157)	69 (1758)	8310 (3769)	8490 (3851)	8590 (3896)
223 (5668)	102 (2585)	272 (6896)	248 (6295)	53 (1357)	77 (1958)	8410 (3815)	8590 (3896)	8690 (3942)
4-STAGE FULL FREE-LIFT (FFL) HI-VIS™ MAST								
240 (6098)	84 (2133)	289 (7321)	263 (6678)	35 (910)	61 (1553)	8510 (3860)	8690 (3942)	8790 (3987)
252 (6404)	88 (2235)	301 (7627)	275 (6984)	39 (1012)	65 (1655)	8580 (3892)	8760 (3973)	8860 (4019)
264 (6710)	92 (2336)	313 (7933)	287 (7290)	43 (1113)	69 (1756)	8650 (3924)	8830 (4005)	8930 (4051)

FEATURES LIST - ERC045-070VG

PERFORMANCE	STD	OPT	ERGONOMICS CONTINUED	STD	OPT
36-volt electrical system	●		Key switch controlled lights		●
Standard performance	●		Rear drive handle with integrated horn button		●
AC traction and pump motors (completely brushless)	●		Mirrors – dual side view or panoramic		●
Transistor drive and pump control	●		Synchronous steering		●
Advanced VSM (vehicle system manager)	●		Red, high-visibility, non-cinch seat belt with or without start interlock		●
Progressive thermal management system	●		Low mount display		●
48 or 80-volt electrical system		●	OPERATION	STD	OPT
Premium Performance Package (N/A with 36-volt)		●	Battery compartment size		
DRIVE	STD	OPT	– 27" (ERP045-50VG)		
Smooth tread rubber drive tire and steer tire	●		– 33" (ERP055-60VG)	●	
Non-marking, rubber, or lug tread tires		●	– 36" (ERP065VG)		
Wide tread tires		●	– 40" (ERP070VG)		
LIFT	STD	OPT	Lift out battery extraction	●	
2-stage limited free lift (LFL) Hi-Vis™2 mast* with maximum fork height of 125" (3192mm) (ERP045-55VG) or 118" (4800mm) (ERP060-70VG)	●		Standard construction	●	
2-stage full free lift (FFL) Hi-Vis™ mast* 3-stage full free lift (FFL) Hi-Vis™2 mast* 4-stage full free lift (FFL) Hi-Vis™ mast*		●	UL classification type "E"	●	
5° forward and 5° back mast tilt	●		Key switch start	●	
Mast tilt option – 10° forward / 5° back		●	88.5" grid style overhead guard	●	
Mast tilt option – 5° forward / 4° back		●	3-function hydraulic control valve with seat-side mechanical levers	●	
Return to set tilt		●	Fully integrated CANbus communication	●	
Accumulator		●	On-demand power steering	●	
Load weight indicator		●	Continuous Stability System (CSS™)	●	
HANDLING	STD	OPT	Static strap	●	
38.5" (980mm) wide Class II (ERP045-55VG) or Class III (ERP060-7VG) hook-type carriage with 38.5" (980 mm) high load backrest extension	●		Tow pin	●	
42" (1067mm) long forks	●		On-board software: program, test & diagnose; password protected	●	
Carriage with integral sideshift		●	Electronic horn with integral relay (long life / no adjustments)	●	
Carriage with integral sideshifting fork positioner		●	Side extraction battery removal with rollers		●
Attachment carriages		●	Rapid / fast charge		●
ERGONOMICS	STD	OPT	Cooler/freezer package—operating temp: -20°F to +120°F		●
12" steering wheel with integral spinner knob	●		UL classification type "EE"		●
Non-suspension vinyl seat	●		4-function hydraulic control valve		●
Black, non-cinch seat belt with emergency locking retractor	●		86.5" grid style overhead guard		●
Foot applied / hand released park brake	●		84.1" flat plate overhead guard		●
Foot directional control pedal	●		88.5" drive-in rack grid style overhead guard		●
Power assist braking	●		Keyless start (with auxiliary key switch)		●
Auto Deceleration System (ADS) with regenerative braking	●		LED and halogen work light packages		●
Multifunction display			LED dome / reading light		●
– Battery state of charge with low battery lift interrupt			Basic & premium LED brake/tail/back-up light packages		●
– Hour meter			Audible alarm – reverse operation (manually adjustable to 87, 97 or 102 dB)		●
– Performance mode indicator	●		Visible amber strobe light - continuous activated, overhead guard mounted		●
– Fault indicator			Impact monitor		●
– 4 operator selectable, programmable performance modes			Operator password		●
Easy ingress/egress with low step height and contoured handhold	●		Operator daily checklist		●
Operator convenience station – storage areas, beverage & clipboard holders	●		System monitor – hydraulic low fluid level indicator and hydraulic filter service indicator		●
Adjustable tilt steering column with low profile cowl	●		Hydraulic attachment extension tubes with quick disconnect fittings		●
Cushioned floor mat	●		Fire extinguisher – 2.5 lb. dry chemical		●
Seatside power disconnect button	●		Yale Vision		●
Accutouch electro-hydraulic mini-lever controls with fully adjustable armrest		●	Yale Reliant™		●
Non-suspension seat (cloth)		●	ENERGY SYSTEM	STD	OPT
Full-suspension seat (vinyl or cloth)		●	Lead acid	●	
Full-suspension swivel seat (vinyl or cloth)		●	Yale Power Key		●
Seatside directional control		●	SUPPLEMENTAL	STD	OPT
Automatic electro-mechanical park brake		●	36 Month / 6,000 hour powertrain warranty	●	
Telescopic steering column with tilt memory		●	12 Month / 2,000 hour full truck warranty	●	
			Operating manual	●	

About Yale



Yale Lift Truck Technologies leverages over a century of material handling experience and substantial investment in innovation to bring the most advanced technology-driven lift truck solutions to market. The company offers a full line of award-winning lift trucks, including reach trucks, order pickers, turret trucks, pallet jacks and trucks, pallet stackers, tow tractors and counterbalanced forklifts, as well as powerful operator assist solutions, proven robotics and a wide range of power sources to help customers adapt to today's demanding supply chain. Yale and its independent dealer network support these solutions with comprehensive after-sales service, parts, financing and training.

MATERIALS HANDLING FOR:

Third-party logistics (3PL)

Auto parts distribution

Beverage

Cold & frozen foods

Food distribution

Food processing

Furniture & furnishings

Government

Health & pharma

Home centers & durables

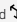
Retail & e-commerce

Yale Lift Truck Technologies
P.O. Box 7367
Greenville, NC 27835-7367
U.S.A.

yale.com



EXPLORE MORE
ONLINE.
←

© 2023 Hyster-Yale Group, Inc., all rights reserved. YALE and  are trademarks of Hyster-Yale Group, Inc.

Trucks may be shown with optional equipment and/or features not available in all regions. Truck performance may be affected by the condition of the vehicle, how it is equipped and the application. Specifications are subject to change without notice. Consult your Yale® Dealer if any of the information shown is critical to your application.

CERTIFICATION: Yale lift trucks meet the design and construction requirements of B56.1-1969, per OSHA Section 1910.178(a)(2), and also comply with the B56.1 revision in effect at time of manufacture. Classified by Underwriters' Laboratories, Inc.