



# ERP 045-070VL

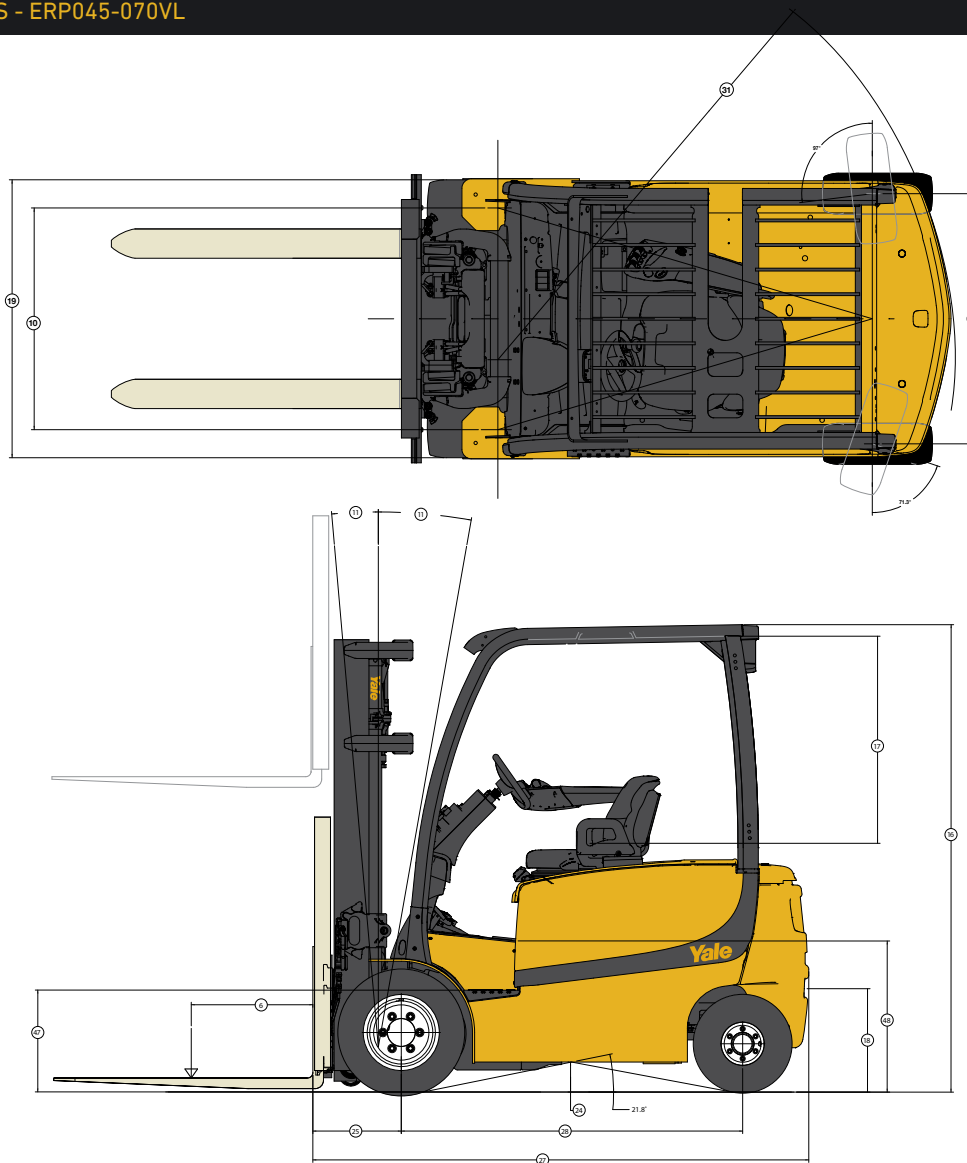
SPEC SHEET

Pneumatic tire electric  
counterbalanced forklift

---

4,500-7,000 lbs.

## TRUCK DIMENSIONS - ERP045-070VL



Circled truck dimensions correspond to the line numbers in the General Specifications chart. Dimensions are listed in inches (millimeters).

## BATTERY AND COMPARTMENT SPECIFICATIONS

Model	Compartment size	Battery specifications											
		Compartment size			Electrical				Size			Weight	
		W in. (mm)	L in. (mm)	H in. (mm)	Volts	No. of cells	Plates per cell	Max amp hr (kWh)	W max in. (mm)	L max in. (mm)	H max in. (mm)	Min lbs. (kg)	Max lbs. (kg)
J45-50XN 28" compartment	Vertical extract	40.7 (1034)	28.2 (717)	31.2 (792)	80	40	9	1000 (77.6)	40.5 (1028)	28.0 (711)	30.9 (784)	3700 (1886)	4100 (1878)
	Horizontal removal - roller	40.7 (1034)	28.2 (717)	31.1 (789)					40.5 (1028)	28.0 (711)	30.8 (782)		
	Horizontal removal - forklift	40.4 (1028)	28.0 (712)	31.3 (796)					40.4 (1026)	27.8 (706)	31.0 (788)		
50-70XN 34" compartment	Vertical extract	40.7 (1034)	33.9 (861)	31.2 (792)	80	40	11	1000 (77.6)	40.5 (1028)	33.7 (855)	30.9 (784)	4500 (2021)	4900 (2233)
	Horizontal removal - roller	40.7 (1034)	33.9 (861)	31.1 (789)					40.5 (1028)	33.7 (855)	30.8 (782)		
	Horizontal removal - forklift	40.4 (1028)	33.7 (856)	31.3 (796)					40.4 (1026)	33.5 (850)	31.0 (788)		

Battery type: "EO" (without cover)  
 Battery amp hr (kwh) capacity is max allowable per UL  
 Commercially available lead acid or lithium-ion batteries  
 may not necessarily reach these max limits  
 Battery compartment length is measured front to rear.  
 Battery compartment width is measured across the truck

Battery notes - conventional charging (option BCSSBC)  
 Battery connector: 80 volt - Black (Anderson Power Products®  
 SBE®320 P/N 6363G1 or REMA® SRE 320 P/N 78350-05)  
 Battery lead: length 30" (762 mm), position "A", 2/0 AWG

Battery notes - rapid / fast charging (option BARFBC)  
 Battery connector: requires positive / negative cabling  
 terminating in (1) female EBC-320 DIN connector  
 (Anderson Power Products® P/N E32503-00X9 or REMA® 95625-X1)  
 DIN connector to include 1 red conductor to (+) and 1 black conductor to (-)  
 Battery lead: length 36" (915 mm), position "A", minimum cable size 3/0 AWG

Battery notes - premium, fully integrated "quick connect" rapid / fast charging  
 Battery connector: requires positive / negative cabling  
 terminating in (1) female EBC-320 DIN connector  
 (Anderson Power Products® P/N E32503-00X9 or REMA® 95625-X1)  
 DIN connector to include 1 red conductor to (+) and 1 black conductor to (-)  
 Battery lead: length 36" (915 mm), position "A", minimum cable size 3/0 AWG

**GENERAL SPECIFICATIONS - ERP045VL**

GENERAL	1	Manufacturer			Yale®		
	2	Model designation			ERP045VL		
	3	Power/voltage			Electric/80 Volts		
	4	Operation			Sit		
	5	Rated capacity		lb. (kg)	4500 (2041)		
	6	Load center		in. (mm)	24 (610)		
TIRES	7	Tire type	Std/opt		Pneumatic/pneumatic shaped solid		
	8	Tire size	Drive/steer	in.	23 x 10 - 12/18 x 7 - 8		
	9	Wheels - number	X=driven	Drive/steer	front/rear	2X/2	
	10	Tread	Ctr. of tires	Std dr/wide dr/steer	in. (mm)	36.9/41.5/39.1 (938/1054/992)	
DIMENSIONS	11	Mast tilt	Std opt opt		degrees	5F/5B 10F/5B 5F/6B	
	12	Mast - lowered height	Std mast		in. (mm)	87 (2192)	
	13	Free lift - top of fork	Std 2-stg limited free lift mast		in. (mm)	5 (140)	
			Opt 2-stg full free lift mast with/without LBR		in. (mm)	37/64 (962/1628)	
	14	Lift height - top of fork	Std 2-stg limited free lift mast		in. (mm)	133 (3392)	
	15	Mast - extended height	Std mast with/without LBR		in. (mm)	182/156 (4622/3956)	
	16	Overhead guard height	Without/with battery rollers		in. (mm)	86.3/90.4 (2193/2297)	
	17	SIP to bottom of OHG	Seat depressed	Std/susp/swivel	in. (mm)	38.8/39.4/38.9 (986/1001/989)	
	18	Tow pin height	Vertical center of pin		in. (mm)	10.3 (262)	
	19	Overall width	Pneumatic Tires	Std/wide tread	in. (mm)	46.9/51.5 (1192/1308)	
			PSS tires	Std/wide tread	in. (mm)	46.2/50.7 (1173/1289)	
	20	Forks	Thickness x width x length		in. (mm)	1.6 x 3.9 x 42 (40 x 100 x 1067)	
	21	Standard carriage width			in. (mm)	42 (1067)	
	22	Floor to bottom of battery	Vertical / roller / forks		in. (mm)	5.7 (145) / 10.2 (259) / 9.9 (252)	
	23	Ground clearance	Lowest point	NL/RL	in. (mm)	3.9/3.3 (98/83)	
			Center of truck	NL/RL	in. (mm)	5.4/5.3 (137/135)	
	24	Load distance	Center of wheel to face of forks		in. (mm)	16.5 (419)	
	25		Nominal		SIZE	28"	
	27	Length to face of forks	Chassis length		in. (mm)	92.0 (2336)	
	28	Wheelbase			in. (mm)	63.2 (1606)	
	29	Right angle stack			in. (mm)	141.8 (3602)	
30	Equal aisle	90° Intersecting aisle		in. (mm)	78.2 (1986)		
31	Outside turning radius			in. (mm)	76 (1931)		
WT.	32	Truck weight	Without battery	NL	lb. (kg)	6360 (2885)	
	33	Axle loading - drive	Static with max. wt. battery	NL/RL	lb. (kg)	5266/12649 (2389/5737)	
	34	Axle loading - steer	Static with max. wt. battery	NL/RL	lb. (kg)	5236/2352 (2375/1067)	
PERFORMANCE	35	Travel speed			Standard performance	Premium performance package	
			NL/RL	mph (km/h)	11.2/11.2 (18/18)	13/13 (21/21)	
	36	Lift speed	Std 2-stg LFL mast	NL/RL	ft/min (m/sec)	124/79 (0.63/0.40)	142/102 (0.72/0.52)
			Opt 2-stg FFL mast	NL/RL	ft/min (m/sec)	124/81 (0.63/0.41)	130/98 (0.66/0.50)
			Opt 3-stg FFL mast	NL/RL	ft/min (m/sec)	124/79 (0.63/0.40)	134/100 (0.68/0.51)
	37	Lower speed	Std 2-stg LFL mast	NL/RL	ft/min (m/sec)	100/112 (0.51/0.57)	
			Opt 2-stg FFL mast	NL/RL	ft/min (m/sec)	91/102 (0.46/0.52)	
			Opt 3-stg FFL mast	NL/RL	ft/min (m/sec)	93/106 (0.47/0.54)	
	38	Gradability	5 Minute rating	NL/RL	%	39/26	42/28
			60 Minute rating	NL/RL	%	13/9	14/10
39	Drawbar Pull	5 Minute rating	NL/RL	lbf	4283/4057	4626/4462	
		60 Minute rating	NL/RL	lbf	1298/1229	1402/1357	
40	Brake	Method of control	Service/parking		Hydraulic/mechanical		
		Method of operation	Service/parking		Foot/automatic		
ELECTRIC	41	Battery	Type		Lead acid   Thin Plate Pure Lead*   Lithium-ion*		
	42	Traction motors (dual)	60 Minute rating (each)	hp (kW)	13.4 (10)	13.4 (10)	
	43	Pump motor	15 Minute rating	hp (kW)	21.5 (16)	32.2 (24)	
	44	Traction motors	Type/control method		Dual AC/transistor		
	45	Pump motor	Type/control method		AC/transistor		
46	Number of speeds	Traction/pump		Infinitely variable/infinitely variable			
OTHER	47	Step height			in. (mm)	18.7 (475)	
	48	Floor height	Without/with battery rollers		in. (mm)	27.8/31.9 (706/810)	
	49	Attachment relief pressure			psi (bar)	2250 (155)	
	50	Auxiliary oil flow	3rd and 4th function		gal/min (l/min)	11 (40)	
	51	Sound level	Measured per ANSI B56.11.5		dB (A)	63 65	

\*Optional with Yale Power Key

Above specifications, unless otherwise listed, are for a standard truck without optional equipment.

Right angle stack and equal intersecting aisle dimensions provided with a 48" long and 40" wide pallet load, allowing zero clearance.

**GENERAL SPECIFICATIONS - ERP050VL**

GENERAL	1	Manufacturer			Yale®		
	2	Model designation			ERP050VL		
	3	Power/voltage			Electric/80 Volts		
	4	Operation			Sit		
	5	Rated capacity		lb. (kg)	5000 (2268)		
	6	Load center		in. (mm)	24 (610)		
TIRES	7	Tire type	Std/opt		Pneumatic/pneumatic shaped solid		
	8	Tire size	Drive/steer	in.	23 x 10 - 12/18 x 7 - 8		
	9	Wheels - number	X=driven	Drive/steer	front/rear	2X/2	
	10	Tread	Ctr. of tires	Std dr/wide dr/steer	in. (mm)	36.9/41.5/39.1 (938/1054/992)	
DIMENSIONS	11	Mast tilt	Std opt opt		degrees	5F/5B 10F/5B 5F/6B	
	12	Mast - lowered height	Std mast		in. (mm)	87 (2192)	
	13	Free lift - top of fork	Std 2-stg limited free lift mast		in. (mm)	5 (140)	
			Opt 2-stg full free lift mast with/without LBR		in. (mm)	37/64 (962/1628)	
	14	Lift height - top of fork	Std 2-stg limited free lift mast		in. (mm)	133 (3392)	
	15	Mast - extended height	Std mast with/without LBR		in. (mm)	182/156 (4622/3956)	
	16	Overhead guard height	Without/with battery rollers		in. (mm)	86.3/90.4 (2193/2297)	
	17	SIP to bottom of OHG	Seat depressed	Std/susp/swivel	in. (mm)	38.8/39.4/38.9 (986/1001/989)	
	18	Tow pin height	Vertical center of pin		in. (mm)	10.3 (262)	
	19	Overall width	Pneumatic Tires	Std/wide tread	in. (mm)	46.9/51.5 (1192/1308)	
			PSS tires	Std/wide tread	in. (mm)	46.2/50.7 (1173/1289)	
	20	Forks	Thickness x width x length		in. (mm)	1.6 x 3.9 x 42 (40 x 100 x 1067)	
	21	Standard carriage width			in. (mm)	42 (1067)	
	22	Floor to bottom of battery	Vertical / roller / forks		in. (mm)	5.7 (145) / 10.2 (259) / 9.9 (252)	
	23	Ground clearance	Lowest point	NL/RL	in. (mm)	3.9/3.3 (98/83)	
			Center of truck	NL/RL	in. (mm)	5.4/5.3 (137/134)	
	24	Load distance	Center of wheel to face of forks		in. (mm)	16.5 (419)	
	25		Nominal		SIZE	28"	34"
	27	Length to face of forks	Chassis length		in. (mm)	92.0 (2336)	97.6 (2480)
	28	Wheelbase			in. (mm)	63.2 (1606)	68.9 (1750)
	29	Right angle stack			in. (mm)	141.8 (3602)	147.3 (3742)
	30	Equal aisle	90° Intersecting aisle		in. (mm)	78.2 (1986)	80.7 (2049)
	31	Outside turning radius			in. (mm)	76 (1931)	81.6 (2073)
	WT.	32	Truck weight	Without battery	NL	lb. (kg)	6360 (2885) 6560 (2976)
		33	Axle loading - drive	Static with max. wt. battery	NL/RL	lb. (kg)	5266/13470 (2389/6110) 5718/13659 (2594/6196)
34		Axle loading - steer	Static with max. wt. battery	NL/RL	lb. (kg)	5236/2032 (2375/922) 5762/2821 (2614/1280)	
PERFORMANCE	35	Travel speed			Standard performance		Premium performance package
			NL/RL	mph (km/h)	11.2/11.2 (18/18)	13/13 (21/21)	
	36	Lift speed	Std 2-stg LFL mast	NL/RL	ft/min (m/sec)	124/75 (0.63/0.38)	142/96 (0.72/0.49)
			Opt 2-stg FFL mast	NL/RL	ft/min (m/sec)	124/77 (0.63/0.39)	130/93 (0.66/0.47)
			Opt 3-stg FFL mast	NL/RL	ft/min (m/sec)	124/77 (0.63/0.39)	134/94 (0.68/0.48)
	37	Lower speed	Std 2-stg LFL mast	NL/RL	ft/min (m/sec)	100/112 (0.51/0.57)	
			Opt 2-stg FFL mast	NL/RL	ft/min (m/sec)	91/106 (0.46/0.54)	
			Opt 3-stg FFL mast	NL/RL	ft/min (m/sec)	93/108 (0.47/0.55)	
	38	Gradability	5 Minute rating	NL/RL	%	35/24	38/26
			60 Minute rating	NL/RL	%	12/8	13/9
39	Drawbar Pull	5 Minute rating	NL/RL	lbf	4248/4148	4588/4480	
		60 Minute rating	NL/RL	lbf	1287/1257	1390/1357	
40	Brake	Method of control	Service/parking		Hydraulic/mechanical		
		Method of operation	Service/parking		Foot/automatic		
ELECTRIC	41	Battery	Type		Lead acid   Thin Plate Pure Lead*   Lithium-ion*		
	42	Traction motors (dual)	60 Minute rating (each)	hp (kW)	13.4 (10)	13.4 (10)	
	43	Pump motor	15 Minute rating	hp (kW)	21.5 (16)	32.2 (24)	
	44	Traction motors	Type/control method		Dual AC/transistor		
	45	Pump motor	Type/control method		AC/transistor		
46	Number of speeds	Traction/pump		Infinitely variable/infinitely variable			
OTHER	47	Step height			in. (mm)	18.7 (475)	
	48	Floor height	Without/with battery rollers		in. (mm)	27.8/31.9 (706/810)	
	49	Attachment relief pressure			psi (bar)	2250 (155)	
	50	Auxiliary oil flow	3rd and 4th function		gal/min (l/min)	11 (40)	
	51	Sound level	Measured per ANSI B56.11.5		dB (A)	63 65	

\*Optional with Yale Power Key

Above specifications, unless otherwise listed, are for a standard truck without optional equipment.

Right angle stack and equal intersecting aisle dimensions provided with a 48" long and 40" wide pallet load, allowing zero clearance.

**GENERAL SPECIFICATIONS - ERP060VL**

GENERAL	1	Manufacturer			Yale®		
	2	Model designation			ERP060VL		
	3	Power/voltage			Electric/80 Volts		
	4	Operation			Sit		
	5	Rated capacity		lb. (kg)	6000 (2722)		
	6	Load center		in. (mm)	24 (610)		
TIRES	7	Tire type	Std/opt		Pneumatic/pneumatic shaped solid		
	8	Tire size	Drive/steer	in.	23 x 10 - 12/18 x 7 - 8		
	9	Wheels - number	X=driven	Drive/steer	front/rear	2X/2	
	10	Tread	Ctr. of tires	Std dr/wide dr/steer	in. (mm)	36.9/41.5/39.1 (938/1054/992)	
DIMENSIONS	11	Mast tilt	Std opt opt		degrees	5F/5B 10F/5B 5F/6B	
	12	Mast - lowered height	Std mast		in. (mm)	87 (2192)	
	13	Free lift - top of fork	Std 2-stg limited free lift mast		in. (mm)	5 (140)	
			Opt 2-stg full free lift mast with/without LBR		in. (mm)	37/60 (957/1540)	
	14	Lift height - top of fork	Std 2-stg limited free lift mast		in. (mm)	126 (3209)	
	15	Mast - extended height	Std mast with/without LBR		in. (mm)	175/153 (4444/3861)	
	16	Overhead guard height	Without/with battery rollers		in. (mm)	86.3/90.4 (2193/2297)	
	17	SIP to bottom of OHG	Seat depressed	Std/susp/swivel	in. (mm)	38.8/39.4/38.9 (986/1001/989)	
	18	Tow pin height	Vertical center of pin		in. (mm)	10.3 (262)	
	19	Overall width	Pneumatic Tires	Std/wide tread	in. (mm)	46.9/51.5 (1192/1308)	
			PSS tires	Std/wide tread	in. (mm)	46.2/50.7 (1173/1289)	
	20	Forks	Thickness x width x length		in. (mm)	2 x 4.9 x 42 (50 x 125 x 1067)	
	21	Standard carriage width			in. (mm)	42 (1067)	
	22	Floor to bottom of battery	Vertical / roller / forks		in. (mm)	5.7 (145) / 10.2 (259) / 9.9 (252)	
	23	Ground clearance	Lowest point	NL/RL	in. (mm)	3.9/3.3 (98/83)	
			Center of truck	NL/RL	in. (mm)	5.4/5.3 (137/134)	
	24	Load distance	Center of wheel to face of forks		in. (mm)	17.0 (431)	
			Nominal		SIZE	34"	
	27	Length to face of forks	Chassis length		in. (mm)	98.1 (2492)	
	28	Wheelbase			in. (mm)	68.9 (1750)	
	29	Right angle stack			in. (mm)	147.3 (3742)	
30	Equal aisle	90° Intersecting aisle		in. (mm)	80.7 (2049)		
31	Outside turning radius			in. (mm)	81.6 (2073)		
WT.	32	Truck weight	Without battery	NL	lb. (kg)	6730 (3053)	
	33	Axle loading - drive	Static with max. wt. battery	NL/RL	lb. (kg)	5930/15499 (2690/7030)	
	34	Axle loading - steer	Static with max. wt. battery	NL/RL	lb. (kg)	5714/2145 (2592/973)	
PERFORMANCE	35	Travel speed			Standard performance	Premium performance package	
			NL/RL	mph (km/h)	11.2/10.6 (18/17)	13/12.1 (21/19.5)	
	36	Lift speed	Std 2-stg LFL mast	NL/RL	ft/min (m/sec)	116/65 (0.59/0.33)	124/83 (0.63/0.42)
			Opt 2-stg FFL mast	NL/RL	ft/min (m/sec)	108/65 (0.55/0.33)	116/81 (0.59/0.41)
			Opt 3-stg FFL mast	NL/RL	ft/min (m/sec)	112/65 (0.57/0.33)	118/81 (0.60/0.41)
	37	Lower speed	Std 2-stg LFL mast	NL/RL	ft/min (m/sec)	91/110 (0.46/0.56)	
			Opt 2-stg FFL mast	NL/RL	ft/min (m/sec)	73/102 (0.37/0.52)	
			Opt 3-stg FFL mast	NL/RL	ft/min (m/sec)	79/104 (0.4/0.53)	
	38	Gradability	5 Minute rating	NL/RL	%	34/22	37/24
			60 Minute rating	NL/RL	%	11/7	12/8
39	Drawbar Pull	5 Minute rating	NL/RL	lbf	4146/4037	4477/4360	
		60 Minute rating	NL/RL	lbf	1256/1223	1357/1321	
40	Brake	Method of control	Service/parking		Hydraulic/mechanical		
		Method of operation	Service/parking		Foot/automatic		
ELECTRIC	41	Battery	Type		Lead acid   Thin Plate Pure Lead*   Lithium-ion*		
	42	Traction motors (dual)	60 Minute rating (each)	hp (kW)	13.4 (10)	13.4 (10)	
	43	Pump motor	15 Minute rating	hp (kW)	21.5 (16)	32.2 (24)	
	44	Traction motors	Type/control method		Dual AC/transistor		
	45	Pump motor	Type/control method		AC/transistor		
46	Number of speeds	Traction/pump		Infinitely variable/infinitely variable			
OTHER	47	Step height			in. (mm)	18.7 (475)	
	48	Floor height	Without/with battery rollers		in. (mm)	27.8/31.9 (706/810)	
	49	Attachment relief pressure			psi (bar)	2250 (155)	
	50	Auxiliary oil flow	3rd and 4th function		gal/min (l/min)	11 (40)	
	51	Sound level	Measured per ANSI B56.11.5		dB (A)	63	65

\*Optional with Yale Power Key

Above specifications, unless otherwise listed, are for a standard truck without optional equipment.

Right angle stack and equal intersecting aisle dimensions provided with a 48" long and 40" wide pallet load, allowing zero clearance.

**GENERAL SPECIFICATIONS - ERP070VL**

GENERAL	1	Manufacturer			Yale®		
	2	Model designation			ERP070VL		
	3	Power/voltage			Electric/80 Volts		
	4	Operation			Sit		
	5	Rated capacity		lb. (kg)	7000 (3175)		
	6	Load center		in. (mm)	24 (610)		
TIRES	7	Tire type	Std/opt		Pneumatic/pneumatic shaped solid		
	8	Tire size	Drive/steer	in.	23 x 10 - 12/18 x 7 - 8		
	9	Wheels - number	X=driven	Drive/steer	front/rear	2X/2	
	10	Tread	Ctr. of tires	Std dr/wide dr/steer	in. (mm)	36.9/41.5/39.1 (938/1054/992)	
DIMENSIONS	11	Mast tilt	Std opt opt		degrees	5F/5B 10F/5B 5F/6B	
	12	Mast - lowered height	Std mast		in. (mm)	87 (2192)	
	13	Free lift - top of fork	Std 2-stg limited free lift mast		in. (mm)	5 (140)	
			Opt 2-stg full free lift mast with/without LBR		in. (mm)	37/60 (957/1540)	
	14	Lift height - top of fork	Std 2-stg limited free lift mast		in. (mm)	126 (3209)	
	15	Mast - extended height	Std mast with/without LBR		in. (mm)	175/153 (4444/3861)	
	16	Overhead guard height	Without/with battery rollers		in. (mm)	86.3/90.4 (2193/2297)	
	17	SIP to bottom of OHG	Seat depressed	Std/susp/swivel	in. (mm)	38.8/39.4/38.9 (986/1001/989)	
	18	Tow pin height	Vertical center of pin		in. (mm)	10.3 (262)	
	19	Overall width	Pneumatic Tires	Std/wide tread	in. (mm)	46.9/51.5 (1192/1308)	
			PSS tires	Std/wide tread	in. (mm)	46.2/50.7 (1173/1289)	
	20	Forks	Thickness x width x length		in. (mm)	2 x 4.9 x 42 (50 x 125 x 1067)	
	21	Standard carriage width			in. (mm)	42 (1067)	
	22	Floor to bottom of battery	Vertical / roller / forks		in. (mm)	9.8 (250)	
	23	Ground clearance	Lowest point	NL/RL	in. (mm)	3.9/3.3 (98/83)	
			Center of truck	NL/RL	in. (mm)	5.4/5.2 (137/132)	
	24	Load distance	Center of wheel to face of forks		in. (mm)	17.0 (431)	
	25		Nominal		SIZE	34"	
	27	Length to face of forks	Chassis length		in. (mm)	101.2 (2570)	
	28	Wheelbase			in. (mm)	68.9 (1750)	
	29	Right angle stack			in. (mm)	149.9 (3808)	
30	Equal aisle	90° Intersecting aisle		in. (mm)	81.8 (2078)		
31	Outside turning radius			in. (mm)	84.2 (2139)		
WT.	32	Truck weight	Without battery	NL	lb. (kg)	7420 (3366)	
	33	Axle loading - drive	Static with max. wt. battery	NL/RL	lb. (kg)	5814/16979 (2637/7702)	
	34	Axle loading - steer	Static with max. wt. battery	NL/RL	lb. (kg)	6525/2360 (2960/1070)	
PERFORMANCE	35	Travel speed			Standard performance		Premium performance package
			NL/RL	mph (km/h)	11.2/9.9 (18/16)	13/11.2 (21/18)	
	36	Lift speed	Std 2-stg LFL mast	NL/RL	ft/min (m/sec)	116/61 (0.59/0.31)	124/73 (0.63/0.37)
			Opt 2-stg FFL mast	NL/RL	ft/min (m/sec)	108/61 (0.55/0.31)	116/73 (0.59/0.37)
			Opt 3-stg FFL mast	NL/RL	ft/min (m/sec)	112/61 (0.57/0.31)	118/73 (0.60/0.37)
	37	Lower speed	Std 2-stg LFL mast	NL/RL	ft/min (m/sec)	91/114 (0.46/0.58)	
			Opt 2-stg FFL mast	NL/RL	ft/min (m/sec)	73/106 (0.37/0.54)	
			Opt 3-stg FFL mast	NL/RL	ft/min (m/sec)	79/110 (0.40/0.56)	
	38	Gradability	5 Minute rating	NL/RL	%	32/20	35/22
			60 Minute rating	NL/RL	%	10/6	11/7
39	Drawbar Pull	5 Minute rating	NL/RL	lbf	4243/4064	4583/4389	
		60 Minute rating	NL/RL	lbf	1286/1232	1389/1330	
40	Brake	Method of control	Service/parking		Hydraulic/mechanical		
		Method of operation	Service/parking		Foot/automatic		
ELECTRIC	41	Battery	Type		Lead acid   Thin Plate Pure Lead*   Lithium-ion*		
	42	Traction motors (dual)	60 Minute rating (each)		hp (kW)	13.4 (10) 13.4 (10)	
	43	Pump motor	15 Minute rating		hp (kW)	21.5 (16) 32.2 (24)	
	44	Traction motors	Type/control method		Dual AC/transistor		
	45	Pump motor	Type/control method		AC/transistor		
46	Number of speeds	Traction/pump		Infinitely variable/infinitely variable			
OTHER	47	Step height			in. (mm)	18.7 (475)	
	48	Floor height	Without/with battery rollers		in. (mm)	27.8/31.9 (706/810)	
	49	Attachment relief pressure			psi (bar)	2250 (155)	
	50	Auxiliary oil flow	3rd and 4th function		gal/min (l/min)	11 (40)	
	51	Sound level	Measured per ANSI B56.11.5		dB (A)	63 65	

\*Optional with Yale Power Key

Above specifications, unless otherwise listed, are for a standard truck without optional equipment.

Right angle stack and equal intersecting aisle dimensions provided with a 48" long and 40" wide pallet load, allowing zero clearance.

## FEATURES LIST - ERP045-070VL

PERFORMANCE	STD	OPT
80 Volt electrical system	●	
Standard performance	●	
AC traction and pump motors (completely brushless)	●	
Transistor drive and pump control	●	
Advanced VSM (Vehicle System Manager)	●	
Dual drive motors	●	
Progressive thermal management system	●	
"Zero turn radius" turning	●	
Powerplus performance		●
DRIVE	STD	OPT
Pneumatic drive tire and steer tire	●	
Solid pneumatic tires		●
Wide tread tires		●
LIFT	STD	OPT
2-Stage limited free lift (LFL) Hi-Vis™ mast with maximum fork height of 133" (3392mm) (ERP045-50VL) or 126" (3209mm) (ERP060-70VL)	●	
5° Forward and 5° back mast tilt	●	
Available with 2-stage limited free lift (LFL) and 2- or 3-stage full free lift (FFL) Hi-Vis™ masts		●
Mast tilt option – 10° forward / 5° back		●
Mast tilt option – 5° forward / 6° back		●
Return to set tilt		●
Accumulator		●
Load weight indicator		●
Tilt cylinder boots		●
HANDLING	STD	OPT
42" (1067mm) wide class II (ERP045-50VL) or class III (ERP060-70VL) hook-type carriage with 48" (1219mm) high load backrest extension	●	
42" (1067mm) Long forks	●	
Carriage with integral sideshift		●
Carriage with integral sideshifting fork positioner		●
ERGONOMICS	STD	OPT
12" Steering wheel with integral spinner knob	●	
Non-suspension vinyl seat	●	
Black, non-cinch seat belt with Emergency Locking Retractor	●	
Foot directional control pedal	●	
Power assist braking	●	
Multifunction display –Battery state of charge with low battery lift interrupt –Hour meter –Performance mode indicator –Fault indicator (audible & visible) –4 Operator selectable, programmable performance modes	●	
Easy ingress / egress with low step height and contoured handhold	●	
Operator convenience station - storage areas, beverage & clipboard holders	●	
Adjustable tilt steering column with low profile cowl for excellent visibility	●	
Cushioned floor mat	●	
Seatside power disconnect button	●	
Accutouch hydraulic mini-levers with fully adjustable armrest		●
Non-suspension seat (cloth)		●
Full suspension seat (vinyl or cloth)		●
Swivel seat, full suspension (vinyl or cloth)		●
Seat side directional control		●
Telescopic steering column with tilt memory		●
Rear drive handle with integrated horn button		●
Mirrors – dual side view or panoramic		●
Synchronous steering		●
Black ELR (Emergency Locking Retractor) non-cinch seat belt		●
Black ELR (Emergency Locking Retractor) non-cinch seat belt with start interlock		●

ERGONOMICS CONTINUED	STD	OPT
Low mount display		●
Oil-cooled wet disc brakes	●	
Automatic park brake	●	
ADS (Auto Deceleration System) with regenerative braking	●	
Anti-cinch operator restraint system	●	
Operator Presence System (OPS)	●	
Full steel cab: includes front panel with wiper / washer, rear panel with wiper/ washer, steel doors, top panel with headliner and dome light		●
Front and top cab panels: includes front panel with wiper / washer and top panel		●
Battery side covers	●	
OPERATION	STD	OPT
Battery compartment size: 28" (ERP45-50VL); 34" (ERP60-70VL)	●	
IP54 sealed drive axle/motors with belly pan and side shields	●	
Lift out battery extraction	●	
Standard construction	●	
UL classification type "E"	●	
Key switch start	●	
86.3" Grid style overhead guard	●	
Fully integrated canbus communication	●	
On-demand power steering	●	
Static strap	●	
Tow pin	●	
Side extraction battery removal with rollers		●
Rapid / fast charge		●
UL classification type "EE"		●
Continuous Stability System (CSS™)	●	
3 Function hydraulic control valve with seat side mechanical levers	●	
On-board software –Program, test & diagnose –Password protected	●	
34" Battery compartment for the ERP050VL		●
4 Function hydraulic control valve		●
Keyless start (with auxiliary key switch)		●
LED and halogen work light packages		●
LED dome / reading light		●
LED brake / tail / back-up light packages		●
Audible reverse activated alarm		●
Visible amber strobe light - continuous activated, overhead guard mounted		●
Impact monitor		●
Operator password		●
Operator daily checklist		●
System monitor – hydraulic low fluid level indicator and hydraulic filter service indicator		●
Hydraulic attachment extension tubes with or without quick disconnect fittings		●
Fire extinguisher – 2.5 Lb. Dry chemical		●
Integrated rapid charge		●
Front mud guards	●	
Electronic horn with integral relay (long life / no adjustments)	●	
Outdoor protection / wash-down package	●	
Yale Vision		●
Yale Reliant™		●
ENERGY SYSTEM	STD	OPT
Lead acid	●	
Yale Power Key		●
SUPPLEMENTAL	STD	OPT
36 Month / 6,000 hour powertrain warranty	●	
12 Month / 2,000 hour full truck warranty	●	
Operating manual	●	

# About Yale



Yale Lift Truck Technologies leverages over a century of material handling experience and substantial investment in innovation to bring the most advanced technology-driven lift truck solutions to market. The company offers a full line of award-winning lift trucks, including reach trucks, order pickers, turret trucks, pallet jacks and trucks, pallet stackers, tow tractors and counterbalanced forklifts, as well as powerful operator assist solutions, proven robotics and a wide range of power sources to help customers adapt to today's demanding supply chain. Yale and its independent dealer network support these solutions with comprehensive after-sales service, parts, financing and training.

## MATERIALS HANDLING FOR:

Third-party logistics (3PL)

Auto parts distribution

Beverage

Cold & frozen foods

Food distribution

Food processing

Furniture & furnishings

Government

Health & pharma

Home centers & durables

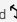
Retail & e-commerce

Yale Lift Truck Technologies  
P.O. Box 7367  
Greenville, NC 27835-7367  
U.S.A.

**yale.com**



EXPLORE MORE  
ONLINE.  
←

© 2023 Hyster-Yale Group, Inc., all rights reserved. YALE and  are trademarks of Hyster-Yale Group, Inc.

Trucks may be shown with optional equipment and/or features not available in all regions. Truck performance may be affected by the condition of the vehicle, how it is equipped and the application. Specifications are subject to change without notice. Consult your Yale® Dealer if any of the information shown is critical to your application.

CERTIFICATION: Yale lift trucks meet the design and construction requirements of B56.1-1969, per OSHA Section 1910.178(a)(2), and also comply with the B56.1 revision in effect at time of manufacture. Classified by Underwriters' Laboratories, Inc.