



# MSL 30WUX

---

Light-duty walkie  
pallet stacker

3,300 lbs.



# MSL30WUX features

The Yale® MSL30WUX light-duty walkie pallet stacker is a simply efficient solution that packs operator-friendly controls and technology in a cost-effective package for less-demanding applications. Backed by the Yale brand and nationwide dealer network, the UX Series electric walkie stacker comes with the quality and support operations needed to keep moving efficiently.



## CONTROL HANDLE

Standard control handle offers left and right hand operation.



## ADJUSTABLE STRADDLE LEGS

## PRODUCTIVITY

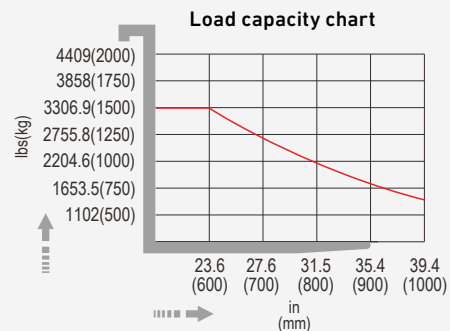
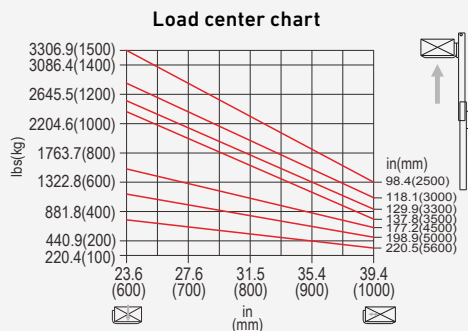
- Maintenance free AC motors
- Multi-function display with BDI and hour meter
- Handle equipped with emergency reversing button
- Auto deceleration function
- Low speed switch
- Variable speed control
- Side battery removal with rollers
- Mast cushioning for low-noise operation
- Built-in pressure relief valve helps protect from overloading
- Emergency power disconnect switch
- 240Ah traction battery
- Cold storage configuration +

## SERVICEABILITY

- Low voltage protection setting helps extend battery life
- CANbus technology
- Simple electronic components helps make troubleshooting and servicing more efficient
- Hall effect sensors help reduce wear and may increase component life

## OPTIMUM STRUCTURAL DESIGN

- Low center of gravity helps enhance stability
- Full free lift mast options for low overhead clearance
- Durable plastic covers
- Adjustable balance caster wheel helps improve stability

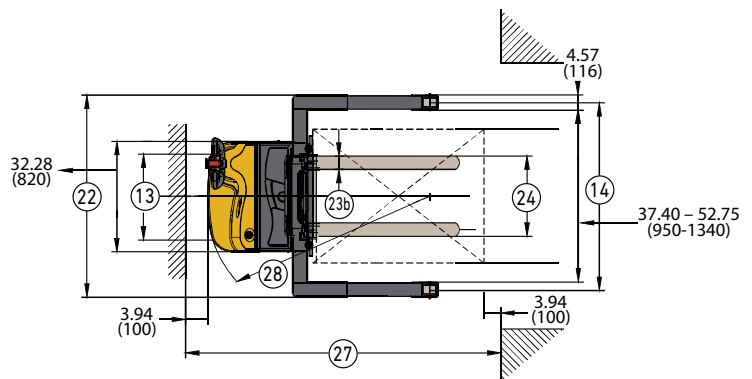
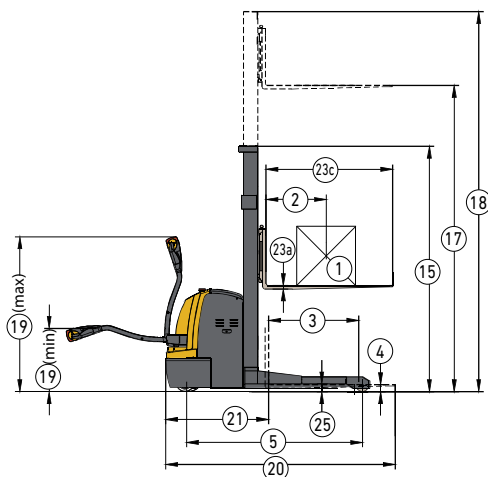


+ = Optional equipment

## GENERAL SPECIFICATIONS - MSL30WUX

GENERAL

1	Load capacity	lb. (kg)	3,300 (1500)						
2	Load center distance	in. (mm)	24 (600)						
3	Load distance, center of drive axle to fork	in. (mm)	27.5 (697)						
4	Fork height, lowered	in. (mm)	2.75 (70)						
5	Wheelbase	in. (mm)	60 (1420)						
6	Axle loading, laden front/rear	lb. (kg)	3,175 (1440) / 2,825 (1280)						
7	Axle loading, unladen front/rear	lb. (kg)	1,920 (870) / 775 (350)						
8	Tires		polyurethane						
9	Tire size, front	in. (mm)	10 (250) × 2.75 (70)						
10	Tire size, rear	in. (mm)	3.25 (80) × 3.5 (84)						
11	Additional wheels (dimensions)	in. (mm)	6 (150) × 2.5 (60)						
12	Wheels, number front rear (x=driven wheels)		1x+1/4						
13	Tread, front	in. (mm)	20.5 (520)						
14	Tread, rear	in. (mm)	41 (1040) - 56.5 (1430)						
15	Mast height, lowered	in. (mm)	71 (1805)	81 (2055)	87 (2205)	91 (2305)	84 (2120)	90 (2280)	98 (2480)
16	Free lift	in. (mm)	51.5 (1300)	61 (1550)	67 (1700)	71 (1800)	62 (1570)	58.5 (1740)	76.5 (1940)
17	Max. lift height	in. (mm)	98.5 (2500)	118.25 (3000)	130 (3300)	138 (3500)	177.25 (4500)	197 (5000)	220.5 (5600)
18	Mast height, extended	in. (mm)	119 (3025)	139 (3525)	151 (3825)	158.5 (4025)	200 (5080)	219 (5560)	242.5 (6160)
19	Height of tiller in drive position min./max.	in. (mm)	26.5 (670) / 51 (1300)						
20	Overall length	in. (mm)	78 (1980)						
21	Length to face of forks	in. (mm)	36 (915)						
22	Overall width	in. (mm)	46 (1170) - 61.5 (1560)						
23a	Fork dimensions	in. (mm)	1.4 (35)						
23b	Fork dimensions	in. (mm)	3.9 (100)						
23c	Fork dimensions	in. (mm)	42.12 (1070) / 45.28 (1150)						
24	Width overall forks	in. (mm)	8 (200) - 31.5 (800)						
25	Ground clearance, center of wheelbase	in. (mm)	1.5 (35)						
26	Aisle width for pallets 1000x1200 crossways	in. (mm)	98 (2480)						
27	Aisle width for pallets 800x1200 lengthways	in. (mm)	97 (2465)						
28	Turning radius	in. (mm)	63.5 (1610)						
29	Travel speed, laden/unladen	mph (Km/h)	3.60 (5.8) / 3.75 (6)						
30	Lift speed, laden/unladen	ft/min (m/s)	21.75 (0.11) / 29.5 (0.15)						
31	Lowering speed, laden/unladen	ft/min (m/s)	23.5 (0.12) / 23.5 (0.12)						
32	Max. gradeability, laden/unladen	%	8 / 15						
33	Service brake		Electromagnetic						
34	Battery voltage, nominal capacity K5	V/Ah	24 / 240						
35	Battery weight	lb. (kg)	530 (240)						
36	Battery dimensions l/w/h	in. (mm)	26.5 (675) × 10 (254) × 19.75 (500)						
37	Sound lever at the driver's ear acc. to DIN12503	dB (A)	65						
38	Service weight (without battery)	lb.	2,601 (1180) / 2,657 (1205) / 2,690 (1220) / 2,715 (1230) 2,825 (1280) / 2,870 (1300) / 2,910 (1320)						



Circled truck dimensions correspond to the line numbers in the General Specifications chart. Dimensions are listed in inches (millimeters.)

# About Yale

Yale Lift Truck Technologies leverages over a century of material handling experience and substantial investment in innovation to bring the most advanced technology-driven lift truck solutions to market. The company offers a full line of award-winning lift trucks, including reach trucks, order pickers, turret trucks, pallet jacks and trucks, pallet stackers, tow tractors and counterbalanced forklifts, as well as powerful operator assist solutions, proven robotics and a wide range of power sources to help customers adapt to today's demanding supply chain. Yale and its independent dealer network support these solutions with comprehensive after-sales service, parts, financing and training.




Yale Lift Truck Technologies  
P.O. Box 7367  
Greenville, NC 27835-7367  
U.S.A.

**yale.com**



EXPLORE MORE  
ONLINE.  
←

© 2023 Hyster-Yale Group, Inc., all rights reserved. YALE and  are trademarks of Hyster-Yale Group, Inc.

Trucks may be shown with optional equipment and/or features not available in all regions. Truck performance may be affected by the condition of the vehicle, how it is equipped and the application. Specifications are subject to change without notice. Consult your Yale® Dealer if any of the information shown is critical to your application.

CERTIFICATION: Yale lift trucks meet the design and construction requirements of B56.1-1969, per OSHA Section 1910.178(a)(2), and also comply with the B56.1 revision in effect at time of manufacture.

## MATERIALS HANDLING FOR:

Third-party logistics (3PL)

Auto parts distribution

Beverage

Cold & frozen foods

Food distribution

Food processing

Furniture & furnishings

Government

Health & pharma

Home centers & durables

Retail & e-commerce