



# NR/NDR 030-045EC

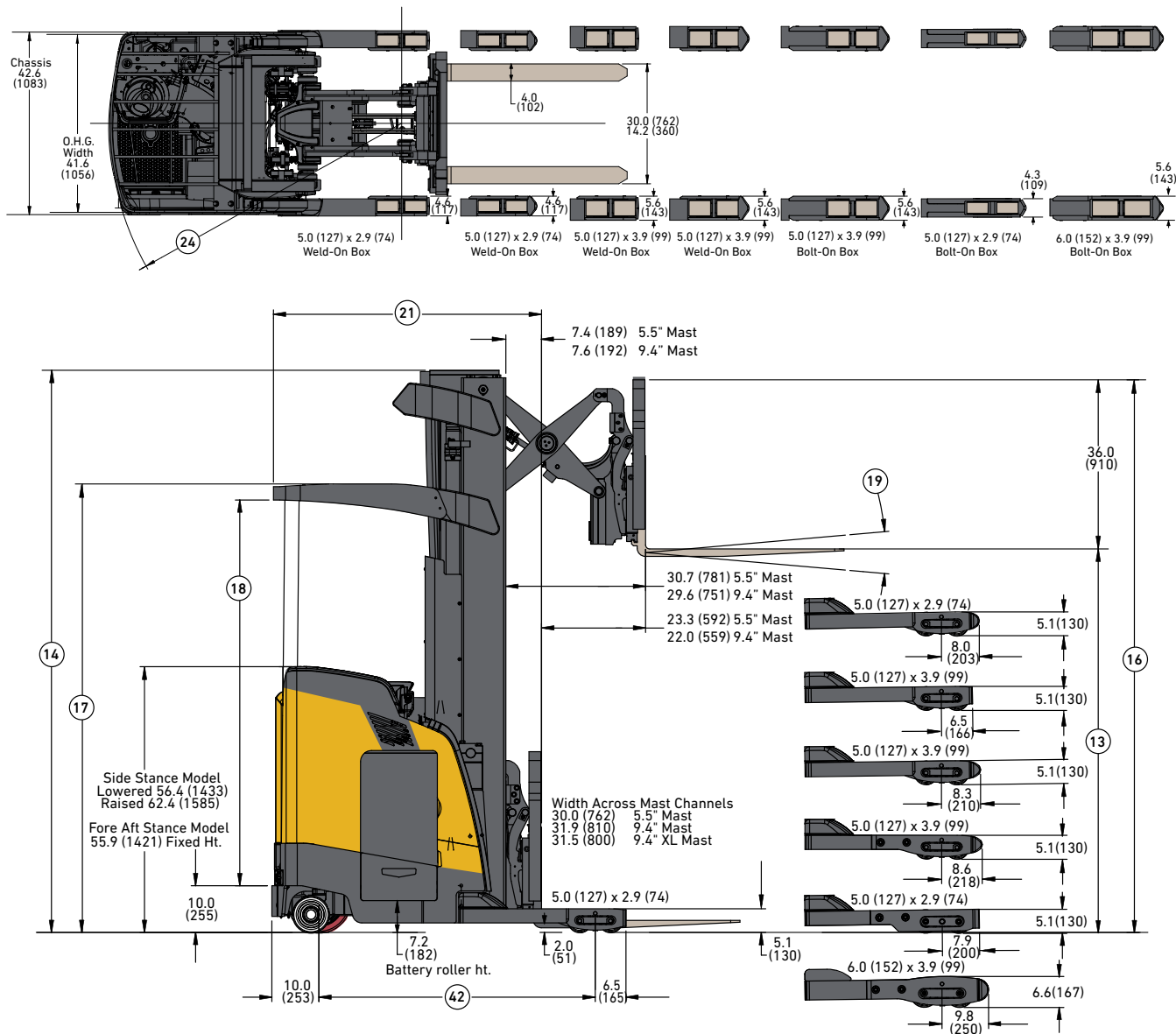
SPEC SHEET

Pantograph  
reach truck

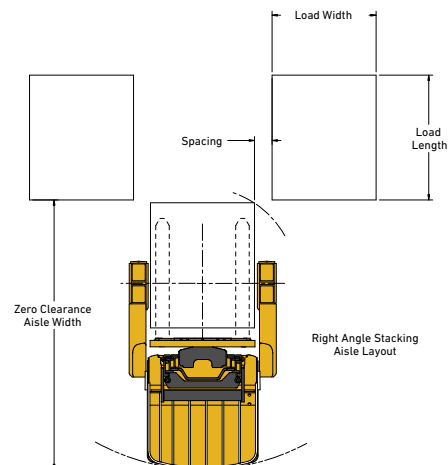
---

3,000-4,500 lbs.

# TRUCK DIMENSIONS - NR035-045EC



Circled truck dimensions correspond to the line numbers in the General Specifications chart. Dimensions are listed in inches (millimeters).



## Right angle aisle stacking

NR035-040EC - 5.5" MAST					
14.25" Battery compartment and 42" ID					
3 Stage - 4" between loads					
Pallet length (inches)	Pallet width (inches)				
	36	40	44	48	
	36	85	85	85	85
	40	87	87	86	86
	44	92	91	91	90
48	96	96	95	95	

NR040-045EC - 9.4" MAST					
16.25" Battery compartment and 42" ID					
3 Stage - 4" between loads					
Pallet length (inches)	Pallet width (inches)				
	36	40	44	48	
	36	88	88	88	88
	40	92	92	91	91
	44	97	96	96	96
48	101	101	100	100	

NOTE: These are "Zero Clearance" aisles and require an additional 6" to 12" to be added to provide for easier maneuvering.

Subtract 1" if without sideshift  
Add 2" for 16.25" battery compartment

Subtract 1" for without sideshift  
Add 2" for 18.25" battery compartment (NR045EC only)  
Add 5" for 21.25" battery compartment (NR045EC only)

**GENERAL SPECIFICATIONS - NR035-045EC**

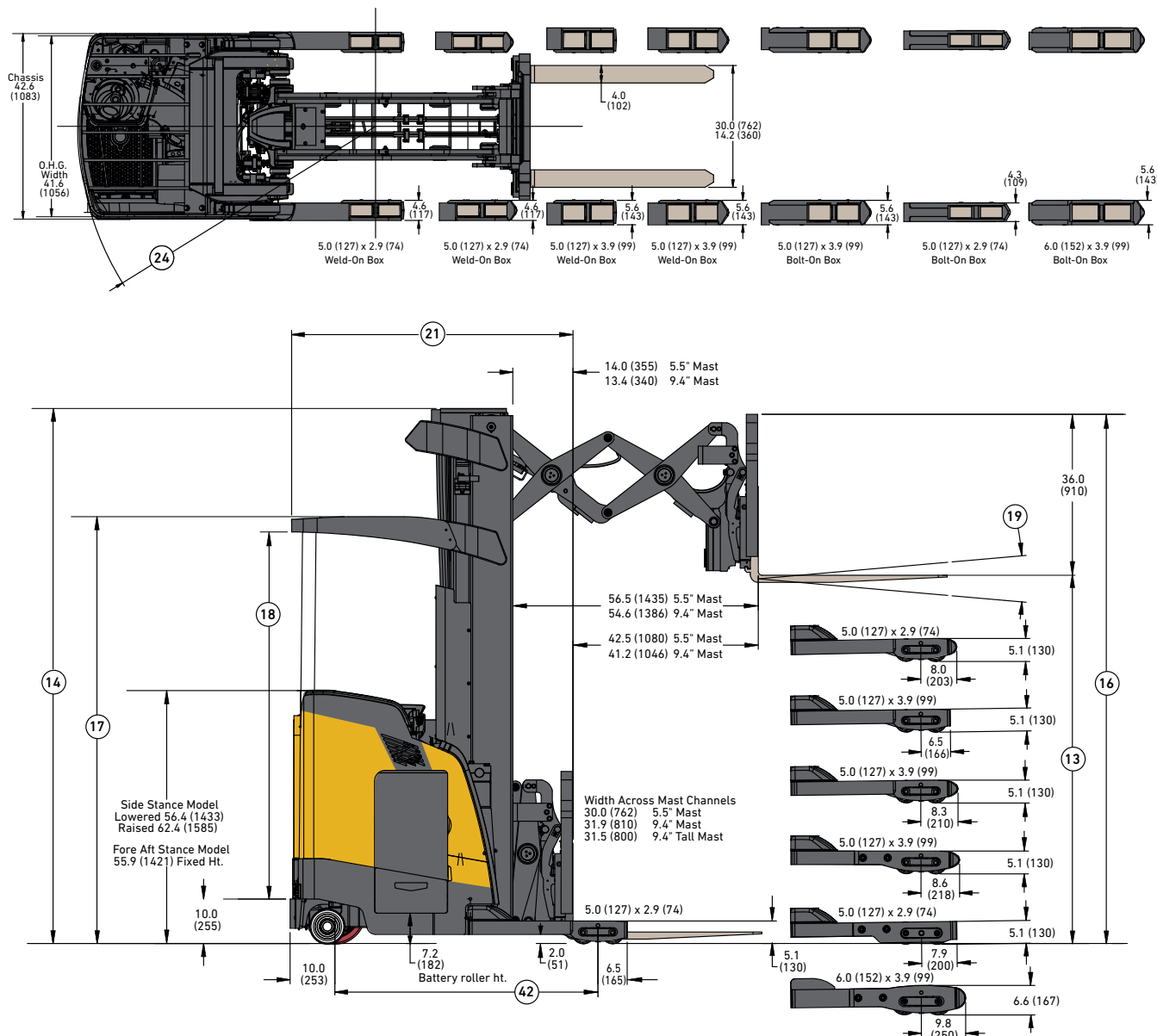
GENERAL				Yale	Yale	Yale			
1	Manufacturer name			Yale	Yale	Yale			
2	Model			NR035EC	NR040EC	NR045EC			
3	Wheel base designation *			SWB	SWB	SWB			
4	Rated capacity	lb. (kg)		3500 (1588)	4000 (1814)	4500 (2041)			
5	Load center	Distance	in. (mm)	24 (610)					
6	Power type	Electric, diesel, LPG		Electric - 36V					
7	Operator type	Stand							
8	Tire type	Load/caster/drive		Poly/Poly/Poly					
9	Wheels, number load/drive (x=driven)	4 / 2 (1x)							
WT.				lb.					
10	Truck weight, without battery (approximate)			5400	5400	5930			
12	Axle loading with assembly retracted (front/rear) **			6874/4375	7459/4290	8546/4228			
DIMENSIONS									
13	Height	Standard lift (TOF)	in. (mm)	See mast table					
14		Standard mast lowered (OALH)	in. (mm)						
15		Freelift (TOF)	in. (mm)						
16		Standard mast extended w/LBR	in. (mm)						
17		Top of OHG	in. (mm)						
18		Operator clearance	in. (mm)						
19	Mast tilt angle	Forward/back	degrees	3 / 4					
20	Forks, standard (length x width x thickness)			1.60 x 3.9 x 42	1.80 x 3.9 x 42	1.80 x 3.9 x 42			
21	Headlength to face of forks	All battery compartments ***		See mast table					
22	Outrigger ID			34" - 49" (1" increments)					
23	Battery compartment size	14.25" - (LxWxH)	in.	39.0 x 14.25 x 31.5	39.0 x 14.25 x 31.5	N/A			
		16.25" - (LxWxH)	in.	39.0 x 16.25 x 31.5	39.0 x 16.25 x 31.5	39.0 x 16.25 x 31.5			
		18.25" - (LxWxH)	in.	N/A	N/A	39.0 x 18.25 x 31.5			
		21.25" - (LxWxH)	in.	N/A	N/A	39.0 x 21.25 x 31.5			
						5.5" MAST	9.4" MAST	5.5" MAST	9.4" MAST
24	Turning radius - min. outside	14.25" battery compartment	in.	65.6	N/A	65.6	N/A	N/A	
		16.25" battery compartment	in.	67.6	N/A	67.6	68.5	68.5	
		18.25" battery compartment	in.	N/A		N/A		70.5	
		21.25" battery compartment	in.	N/A		N/A		73.5	
25	Aisle width - zero clearance	Right angle stack		See right angle stack table					
26	Stability	Comply with ANSI		YES					
PERFORMANCE				STANDARD	OPTIONAL	STANDARD	OPTIONAL	STANDARD	OPTIONAL
<b>TRAVEL SPEED</b>									
28	Rearward (chassis first)	Empty/RL	mph	7.5/6.5 †	N/A	7.5/6.5 †	N/A	7.5/6.5 †	8.0/6.5 †
29	Forward (forks first)	Empty/RL	mph	7.5/6.5 †	N/A	7.5/6.5 †	N/A	7.5/6.5 †	8.0/6.5 †
<b>LIFT SPEED ****</b>				<b>STANDARD</b>	<b>OPTIONAL</b>	<b>STANDARD</b>	<b>OPTIONAL</b>	<b>STANDARD</b>	<b>OPTIONAL</b>
31	Empty		ft/min	5.5" MAST	9.4" MAST	5.5" MAST	9.4" MAST	5.5" MAST	9.4" MAST
31a	1,000 lb.		ft/min	130	N/A	130	150	150	175
32	2,000 lb.		ft/min	110	N/A	110	133	133	150
33	3,000 lb.		ft/min	95	N/A	95	115	115	130
34	4,000 lb.		ft/min	78	N/A	78	100	100	115
35	3,500 lb.		ft/min	75	N/A	75	87	87	105
36	4,000 lb.		ft/min	N/A	N/A	70	83	83	100
37	4,500 lb.		ft/min	N/A	N/A	N/A	N/A	80	95
37	Lowering speeds	Empty ****	ft/min	110	N/A	110	140	140	160 ††
		RL****	ft/min	110	N/A	110	140	140	160 ††
39	Size - front load wheels, standard			5 x 3.9		5 x 3.9		5 x 3.9	
41	Size, standard - drive tire/dual casters					13.5 x 5.5 / 7.9 x 2.2			
42	Wheelbase	14.25" battery compartment	in.	55.6	N/A	55.6	N/A	N/A	
		16.25" battery compartment	in.	57.6	N/A	57.6	58.5	58.5	
		18.25" battery compartment	in.	N/A		N/A		60.5	
		21.25" battery compartment	in.	N/A		N/A		63.5	
						5.5" MAST	9.4" MAST	5.5" MAST	9.4" MAST
43	Brakes	Service/parking (method of control)		Foot / auto					
44		Service/parking (method of operation)		Regen / spring apply (electric release)					
45	Battery type	Lead acid   Thin Plate Pure Lead <sup>‡</sup>   Lithium-ion <sup>‡</sup>							
46	Traction motor rating (60 minute rating)	hp (kw)	8.9 (6.6)						
47	Hoist motor rating (5 minute rating)	hp (kw)	29.2 (21.8)						
48	Traction motor control method	Transistor							
49	Hoist motor control method	Transistor							
50	Number of speeds	Infinitely variable							

\* Short or long wheelbase is for double reach only. LWB for double reach masts 332" and below  
 \*\* Static with rated load and max. wt. battery  
 \*\*\* Includes integral sideshift, subtract 1" for without sideshift  
 \*\*\*\* Lift and lower speeds reduced for UL 'EE'  
 † Optional with Yale Power Key

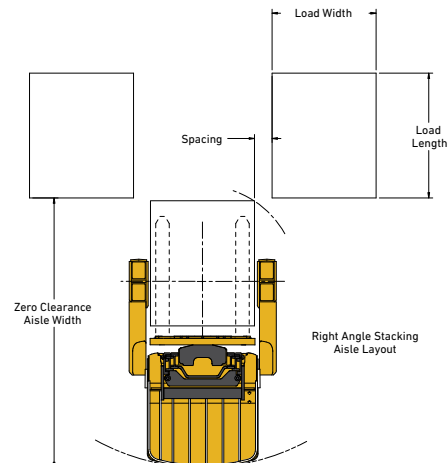
† Travel speed will be reduced to 7.5 / 6.5 mph (empty / rated load) with MFHs above 341" in the forks trailing direction. Travel speed will be reduced to 7.0 / 6.0 mph (empty / rated load) with MFHs above 341" in the forks leading direction. Rated load (RL) travel speeds start at 1,500 lbs. and greater.

†† High speed lowering and high speed lift are separate options  
 SWB = short wheel base; LWB = long wheel base

**TRUCK DIMENSIONS - NDR030-035EC**



Circled truck dimensions correspond to the line numbers in the General Specifications chart. Dimensions are listed in inches (millimeters).



**Right angle aisle stacking**

NDR030EC - 5.5" MAST					
14.25" Battery compartment and 42" ID					
3 Stage - 6" between loads					
	Pallet width (inches)				
	36	40	44	48	
Pallet length (inches)	36	87	86	86	86
	40	91	90	90	89
	44	96	95	95	94
	48	100	100	99	99

NDR030-035EC - 9.4" MAST					
16.25" Battery compartment and 42" ID					
3 Stage - 6" between loads					
	Pallet width (inches)				
	36	40	44	48	
Pallet length (inches)	36	92	91	91	90
	40	96	96	95	95
	44	101	100	100	99
	48	105	105	104	104

NOTE: These are "Zero Clearance" aisles and require an additional 6" to 12" to be added to provide for easier maneuvering.

Sideshift is standard on double reach  
Add 2" for 16.25" battery compartment

Sideshift is standard on double reach  
Add 2" for 18.25" battery compartment (NDR035EC only)  
Add 5" for 21.25" battery compartment (NDR035EC only)

**GENERAL SPECIFICATIONS NDR030-035EC**

		Yale				Yale							
GENERAL	1	Manufacturer name	Yale				Yale						
	2	Model	NDR030EC				NDR035EC						
	3	Wheel base designation *	LWB	SWB	LWB	SWB	LWB	SWB					
	4	Rated capacity	3000 (1361)				3500 (1588)						
	5	Load center	Distance	24 (610)									
	6	Power type	Electric, diesel, LPG				Electric - 36V						
	7	Operator type	Stand										
	8	Tire type	Load/caster/drive				Poly/Poly/Poly						
	9	Wheels, number load/drive (x=driven)	4 / 2 (1x)										
WT.	10	Truck weight, without battery (approximate)	lb.				6190						
	12	Axle loading with assembly retracted (front/rear) **	lb.				7578/4458						
DIMENSIONS	13	Height	Standard lift (TOF)	in. (mm)				See mast table					
	14		Standard mast lowered (OALH)	in. (mm)									
	15		Freelift (TOF)	in. (mm)									
	16		Standard mast extended w/LBR	in. (mm)									
	17		Top of OHG	in. (mm)									
	18		Operator clearance	in. (mm)									
	19	Mast tilt angle	Forward/back	degrees				3 / 4					
	20	Forks, standard (length x width x thickness)	in.				1.60 x 3.9 x 42						
	21	Headlength to face of forks	All battery compartments ***				See mast table						
	22	Outrigger ID	in.						34" - 49" (1" increments)				
	23	Battery compartment size	14.25" - (LxWxH)	in.				39.0 x 14.25 x 31.5		N/A			
			16.25" - (LxWxH)	in.				39.0 x 16.25 x 31.5		39.0 x 16.25 x 31.5			
			18.25" - (LxWxH)	in.				N/A		39.0 x 18.25 x 31.5			
			21.25" - (LxWxH)	in.				N/A		39.0 x 21.25 x 31.5			
				5.5" MAST		9.4" MAST		9.4" MAST					
24	Turning radius - min. outside	14.25" battery compartment	in.		70.6	N/A	N/A	N/A	N/A				
		16.25" battery compartment	in.		72.6	N/A	72.6	68.5	72.6	68.5			
		18.25" battery compartment	in.		N/A				74.6	70.5			
		21.25" battery compartment	in.		N/A				77.6	73.5			
25	Aisle width - zero clearance	Right angle stack						See right angle stack table					
26	Stability	Comply with ANSI						YES					
PERFORMANCE	TRAVEL SPEED				STANDARD		OPTIONAL		STANDARD		OPTIONAL		
	28	Rearward (chassis first)	Empty/RL	mph		7.5/6.5 †		N/A		7.5/6.5 †		8.0/6.5 †	
	29	Forward (forks first)	Empty/RL	mph		7.5/6.5 †		N/A		7.5/6.5 †		8.0/6.5 †	
	LIFT SPEED ****				STANDARD		OPTIONAL		STANDARD		OPTIONAL		
	31	Empty	ft/min		130		150		150		175		
	31a	1,000 lb.	ft/min		110		133		135		150		
	32	2,000 lb.	ft/min		95		115		120		130		
	33	3,000 lb.	ft/min		78		100		103		115		
	34	3,500 lb.	ft/min		N/A		N/A		95		95		
	35	4,000 lb.	ft/min		N/A		N/A		N/A		N/A		
36	4,500 lb.	ft/min		N/A		N/A		N/A		N/A			
37	Lowering speeds	Empty ****		ft/min		110		140		140		160 ††	
		RL ****		ft/min		110		140		140		160 ††	
39	Size - front load wheels, standard	5 x 2.9				5 x 2.9							
41	Size, standard - drive tire/dual casters	13.5 x 5.5 / 7.9 x 2.2											
WHEELS & TIRES	42	Wheelbase	14.25" battery compartment	in.		60.6	N/A	N/A	N/A	N/A			
			16.25" battery compartment	in.		62.6	N/A	62.6	58.5	62.6	58.5		
			18.25" battery compartment	in.		N/A				64.6	60.5		
			21.25" battery compartment	in.		N/A				67.6	63.5		
	43	44	Brakes	Service/parking (method of control)				Foot / Auto					
44	Service/parking (method of operation)				Regen / spring apply (electric release)								
45	Battery type		Lead acid   Thin Plate Pure Lead <sup>9</sup>   Lithium-ion <sup>9</sup>										
46	Traction motor rating (60 minute rating)		hp (kw)		8.9 (6.6)								
47	Hoist motor rating (5 minute rating)		hp (kw)		29.2 (21.8)								
48	Traction motor control method		Transistor										
49	Hoist motor control method		Transistor										
50	Number of speeds		Infinitely variable										

\* Short or long wheelbase is for double reach only.  
 LWB for double reach masts 332" and below  
 \*\* Static with rated load and max. wt. battery  
 \*\*\* Includes integral sideshift, subtract 1" for without sideshift  
 \*\*\*\* Lift and lower speeds reduced for UL 'EE'  
 † Optional with Yale Power Key

† Travel speed will be reduced to 7.5 / 6.5 mph (empty / rated load) with MFHs above 341" in the forks trailing direction. Travel speed will be reduced to 7.0 / 6.0 mph (empty / rated load) with MFHs above 341" in the forks leading direction. Rated load (RL) travel speeds start at 1,500 lbs. and greater.

†† High speed lowering and high speed lift are separate options  
 SWB = short wheel base; LWB = long wheel base

**NR035-040EC & NDR030EC MAST DIMENSIONS (5.5" STANDARD)**

Overall lowered ht.	Max. fork height (TOF)	Free-lift (TOF)	Overall height (mast extended) highest point w/36" LBR	Overhead guard height to top	Operator clearance	Head length (length to face of forks)				
						14.25"		16.25"		
in. (mm)	in. (mm)	in. (mm)	in. (mm)	in. (mm)	in. (mm)	Single reach	Double reach	Single reach	Double reach	
<b>3-STAGE FULL FREE-LIFT (FFL) VISTA™ MAST</b>										
87 (2210)	191 (4851)	48 (1219)	230 (5842)	87 (2212)	74.3 (1887)	52.16	57.83	54.21	59.88	
91 (2311)	203 (5156)	52 (1321)	242 (6147)	91 (2314)	78.3 (1989)	52.16	57.83	54.21	59.88	
95 (2413)	212 (5385)	56 (1422)	251 (6375)	95 (2416)	82.3 (2090)	52.16	57.83	54.21	59.88	
101 (2565)	227 (5766)	62 (1575)	266 (6756)	95 (2416)	82.3 (2090)	52.16	57.83	54.21	59.88	
107 (2718)	242 (6147)	68 (1727)	281 (7137)	95 (2416)	82.3 (2090)	52.16	57.83	54.21	59.88	
110 (2794)	251 (6375)	71 (1803)	290 (7366)	95 (2416)	82.3 (2090)	52.16	57.83	54.21	59.88	
119 (3023)	272 (6909)	80 (2032)	311 (7899)	95 (2416)	82.3 (2090)	52.16	57.83	54.21	59.88	
125 (3175)	287 (7290)	86 (2184)	325 (8255)	95 (2416)	82.3 (2090)	52.16	57.83	54.21	59.88	
131 (3327)	302 (7671)	92 (2337)	340 (8636)	95 (2416)	82.3 (2090)	52.16	57.83	54.21	59.88	

**NR040-045EC & NDR030-035EC MAST DIMENSIONS (9.4" PREMIUM)**

Overall lowered ht.	Max. fork height (TOF)	Free-lift (TOF)	Overall height (mast extended) highest point w/36" LBR	Overhead guard height to top	Operator clearance	Head length (length to face of forks)					
						16.25"		18.25"		21.25"	
in. (mm)	in. (mm)	in. (mm)	in. (mm)	in. (mm)	in. (mm)	Single reach	Double reach	Single reach	Double reach	Single reach	Double reach
<b>3-STAGE FULL FREE-LIFT (FFL) VISTA™ MAST</b>											
95 (2413)	210 (5334)	59 (1509)	246 (6248)	95 (2416)	82.3 (2090)	57.20	62.91	59.17	64.92	62.12	67.91
107 (2718)	241 (6121)	71 (1814)	277 (7036)	95 (2416)	82.3 (2090)	57.20	62.91	59.17	64.92	62.12	67.91
110 (2794)	250 (6350)	74 (1890)	286 (7264)	95 (2416)	82.3 (2090)	57.20	62.91	59.17	64.92	62.12	67.91
119 (3023)	272 (6909)	83 (2118)	308 (7823)	95 (2416)	82.3 (2090)	57.20	62.91	59.17	64.92	62.12	67.91
125 (3175)	287 (7290)	89 (2271)	323 (8204)	95 (2416)	82.3 (2090)	57.20	62.91	59.17	64.92	62.12	67.91
131 (3327)	302 (7671)	95 (2423)	338 (8585)	95 (2416)	82.3 (2090)	57.20	62.91	59.17	64.92	62.12	67.91
140 (3556)	321 (8153)	104 (2652)	357 (9068)	95 (2416)	82.3 (2090)	57.20	62.91	59.17	64.92	62.12	67.91
143 (3632)	332 (8433)	107 (2728)	368 (9347)	95 (2416)	82.3 (2090)	57.20	62.91	59.17	64.92	62.12	67.91
149 (3785)	341 (8661)	113 (2880)	377 (9576)	95 (2416)	82.3 (2090)	57.20	62.91	59.17	64.92	62.12	67.91

**NR040-045EC & NDR030-035EC MAST DIMENSIONS (9.4" XL PREMIUM)\***

Overall lowered ht.	Max. fork height (TOF)	Free-lift (TOF)	Overall height (mast extended) highest point w/36" LBR	Overhead guard height to top	Operator clearance	Head length (length to face of forks)					
						16.25"		18.25"		21.25"	
in. (mm)	in. (mm)	in. (mm)	in. (mm)	in. (mm)	in. (mm)	Single reach	Double reach	Single reach	Double reach	Single reach	Double reach
<b>3-STAGE FULL FREE-LIFT (FFL) VISTA™ MAST</b>											
157 (3988)	368 (9347)	121 (3084)	404 (10262)	95 (2416)	82.3 (2090)	57.20	62.91	59.17	64.92	62.12	67.91
170 (4318)	401 (10185)	134 (3414)	437 (11100)	95 (2416)	82.3 (2090)	N/A		59.17	64.92	62.12	67.91
179 (4547)	422 (10719)	143 (3642)	458 (11633)	95 (2416)	82.3 (2090)			59.17	64.92	62.12	67.91
188 (4775)	444 (11278)	152 (3871)	480 (12192)	95 (2416)	82.3 (2090)			59.17	64.92	62.12	67.91

\*NR040EC and NDR030EC only available in 16.25" battery compartment  
 NR045EC and NDR035EC available in 16.25", 18.25" and 21.25" battery compartments.

**BATTERY AND COMPARTMENT SPECIFICATIONS**

Battery specifications																						
Battery compmt. size	Batt. voltage	NR035EC	NR040EC	NDR030EC	NR045EC	NDR035EC	Maximum 6 Hr Rate		Battery compartment dimensions						Battery dimensions						Minimum batt. wt.	Maximum batt. wt.
									"X" max.		"Y" max.		"Z" max.		"X" max.		"Y" max.		"Z" max.			
							AH	KWH	in.	(mm)	in.	(mm)	in.	(mm)	in.	(mm)	in.	(mm)	in.	(mm)	in.	(mm)
14.25"	36	X	X	X	N/A	N/A	775	27.2	39	990	14.25	362	31.5	800	38.8	985	14	356	31	788	1600 (726)	2100 (953)
16.25"	36	X	X	X	X	X	930	32.6	39	990	16.25	413	31.5	800	38.8	985	16	406	31	788	1850 (839)	2350 (1066)
18.25"	36	N/A	N/A	N/A	X	X	1085	38.1	39	990	18.25	464	31.5	800	38.8	985	18	457	31	788	2200 (998)	2800 (1270)
21.25"	36	N/A	N/A	N/A	X	X	1240	43.5	39	990	21.25	540	31.5	800	38.8	985	21	533	31	788	2500 (1134)	3100 (1406)

Battery connector: 24V - Red; 36V - Gray; position "B", lead length 16"  
 Manufacturers standard cable size not to exceed 4/0 AWG  
 Battery compartment is designed to accommodate standard wet cell batteries with fixed lifting eyes and no cover.  
 Contact Applications Engineering to verify compatibility/fit when using maintenance free, covered or non-standard batteries.

**FEATURES LIST - NR035-045EC, NDR030-035EC**

PERFORMANCE	STD	OPT
36-Volt battery (includes 350 amp gray battery connector)	●	
AC traction, lift/lower and steering	●	
Transistor controller with regenerative braking	●	
Electric power steering	●	
4 Independent fully programmable performance modes - Programmable traction speed and acceleration, lift and lower speeds	●	
Load transport position		●
Fork camera (requires 9.4" mast)		●
Laser level line		●
High speed lift (NR040EC, NDR030EC)		●
High speed lift/travel (NR045EC, NDR035EC)		●
High speed lower (requires high speed lift/travel)		●
Shelf height selector		●
Return to set tilt		●
Return to center sideshifting		●
Load weight display		●
Fork height display		●
Speed sensitive steering		●
DRIVE	STD	OPT
5" x 3.9" poly articulating tandem load wheels - high load compound (std on NR035-045EC)	●	
5" x 2.9" poly articulating tandem load wheels - high load compound (std on NDR030-035EC)	●	
Dual articulating polyurethane caster wheels	●	
XL-AC™ drive tire – 13.5" x 5.5"	●	
Steered caster		●
Various sizes of load wheels		●
Various drive tire compounds		●
Tapered load wheel boxes		●
Bolt-on load wheel boxes		●
LIFT	STD	OPT
91"/203"/52"–(5.5") 3-Stage FFL mast (NR035-040EC, NDR030EC)	●	
95"/210"/59"– (9.4") 3-Stage FFL mast (NR045EC, NDR035EC)	●	
Tilting carriage (3° fwd, 4° back)	●	
Single reach mast with 33.5" wide class II with integral sideshift (hook type carriage) (std on NR035-045EC)	●	
Double reach mast with 33.5" wide class II with integral sideshift (hook type carriage) (std on NDR030-035EC)	●	
36" High load backrest extension	●	
Lift limit		●
48" High load backrest extension		●
Single reach mast without integral sideshift for standard 33.5" wide carriage (9.4") 3-Stage full free lift mast (NR040EC, NDR030EC)		●
Various mast heights for 5.5" and 9.4" masts		●
HANDLING	STD	OPT
Forks: 1.8" x 3.9" (45 mm x 100 mm) 42"(1067 mm) – class II, hook type (std on NR040-045EC)	●	
Forks: 1.6" x 3.9" (40 mm x 100 mm) 42" (1067 mm) – class II, hook type (std on NDR030-035EC and NR035EC)	●	
Fully proportional lift/lower control	●	
Control handle with simultaneous hydraulic functions	●	
Slack chain detection	●	
Reduced travel speed with carriage extended		●
Various fork lengths		●
ERGONOMICS	STD	OPT
Operator sensing system	●	
EZ Ride floor	●	
Low profile anti-fatigue floormat	●	

ERGONOMICS CONTINUED	STD	OPT
Adjustable armrest and backrest (sidestance operator controls only)	●	
Steer tiller position adjustment	●	
Low step height	●	
Padded operator compartment	●	
5" Smart display: color touchscreen	●	
Yale Smart Ride® floor (full suspension floor)		●
7" Smart display: color touchscreen		●
Operator overhead fan		●
Dual LED headlights		●
Rear LED worklight		●
Operator LED desktop light		●
OPERATION	STD	OPT
Standard construction	●	
UL classification E	●	
Sidestance operator controls	●	
Key switch start	●	
Wire mesh mast guard	●	
Automotive steering	●	
2 USB ports	●	
Static strap	●	
Electronic horn	●	
Sealed battery rollers	●	
Operator's overhead guard	●	
Rear post operator protection	●	
Power disconnect button	●	
Forward stance with aft operator control handle		●
Reverse steering		●
Clear mast guard		●
Keyless start		●
Rotary joystick (standard for cooler/freezer)		●
Battery gate interlock		●
Cooler/freezer construction (0°F to 120°F) with rubber floormat		●
SubZero freezer construction (operating temperatures -40°F to 120°F) with rubber floormat		●
SubZero freezer with heated floor and control handle (operating temperatures -40°F to 120°F) with anti-slip floorplate covering		●
UL classification EE		●
Outrigger ID - 34" to 49" in 1" Increments		●
Audible back-up and motion alarms		●
Visible amber strobe light - continuous activated		●
Impact monitor		●
Blue LED spotlights		●
RF terminal bracket		●
RF handheld scanner holder		●
12-Volt DC auxiliary power supply		●
Wire mesh on top overhead guard		●
Rear operator compartment door (SPED)		●
Yale Vision		●
Yale Reliant™		●
ENERGY SYSTEM	STD	OPT
Lead acid	●	
Yale Power Key		●
SUPPLEMENTAL	STD	OPT
12 Month / unlimited hours full truck warranty	●	
36 Month / 6,000 hour powertrain warranty	●	
Lifetime frame warranty	●	
Operating manual	●	

\* Doors are intended to protect the operator from objects that may enter the operator's compartment but they may also slow the operator's egress in emergency situations. A review of the forklift's intended environment should be conducted before selecting a door as optional equipment.

\*\* For 5.5" Mast Sideshift includes 7" travel (3.5" each side). Sideshift travel will be reduced to 3" total (1.5" each side) when Outrigger ID is less than 39". For 9.4" Mast Sideshift includes 8" travel (4" each side). Sideshift travel will be reduced to 4" total (2" each side) when Outrigger ID is less than 39".

# About Yale



Yale Lift Truck Technologies leverages over a century of material handling experience and substantial investment in innovation to bring the most advanced technology-driven lift truck solutions to market. The company offers a full line of award-winning lift trucks, including reach trucks, order pickers, turret trucks, pallet jacks and trucks, pallet stackers, tow tractors and counterbalanced forklifts, as well as powerful operator assist solutions, proven robotics and a wide range of power sources to help customers adapt to today's demanding supply chain. Yale and its independent dealer network support these solutions with comprehensive after-sales service, parts, financing and training.

## MATERIALS HANDLING FOR:

Third-party logistics (3PL)

Auto parts distribution

Beverage

Cold & frozen foods

Food distribution

Food processing

Furniture & furnishings

Government

Health & pharma

Home centers & durables

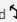
Retail & e-commerce

Yale Lift Truck Technologies  
P.O. Box 7367  
Greenville, NC 27835-7367  
U.S.A.

**yale.com**



EXPLORE MORE  
ONLINE.  
←

© 2024 Hyster-Yale Group, Inc., all rights reserved. YALE and  are trademarks of Hyster-Yale Group, Inc.

Trucks may be shown with optional equipment and/or features not available in all regions. Truck performance may be affected by the condition of the vehicle, how it is equipped and the application. Specifications are subject to change without notice. Consult your Yale® Dealer if any of the information shown is critical to your application.

CERTIFICATION: Yale lift trucks meet the design and construction requirements of B56.1-1969, per OSHA Section 1910.178(a)(2), and also comply with the B56.1 revision in effect at time of manufacture. Classified by Underwriters' Laboratories, Inc.