
Yale UX Series

Electric Rider Stacker

MSL15XUX / 1500kg



www.yale.com.au

Yale[®] 
People. Products. Productivity.™

MSL15XUX

The Yale® electric rider stacker MSL15XUX combines both features and reliable performance. This low-maintenance truck can help increase productivity and reduce operational costs.

▶ Productivity

- Maintenance free AC motors
- Multi-function display with BDI and hour meter
- Handle equipped with emergency reversing device
- Auto deceleration function makes operation more productive
- Low speed switch
- Variable speed control
- Sideways battery removal is easy to maintain
- Cushioning for low-noise operation
- Built-in pressure relief valve protects from overloads and increases reliability
- Emergency power disconnect switch
- 240Ah traction battery
- Cold storage configuration (option)
- Narrow leg option for Australian market

▶ Optimum Structural Design

- Low centre of gravity enhances stability
- Full free lift mast options for low overhead clearance
- Durable plastic covers
- Adjustable balance caster wheel improves stability

▶ Serviceability

- Low voltage protection setting prolongs battery life time
- CANbus technology reduces wiring complexity and increases reliability
- The simple electronic components makes troubleshooting and servicing more efficient
- Hall-effect sensors reduce wear and increase the component life



Handle (Standard)
(Left and Right Handed)



Adjustable Straddle Legs



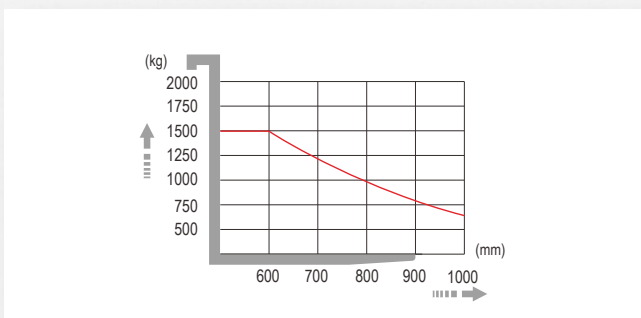
One Sided (Cold Store)



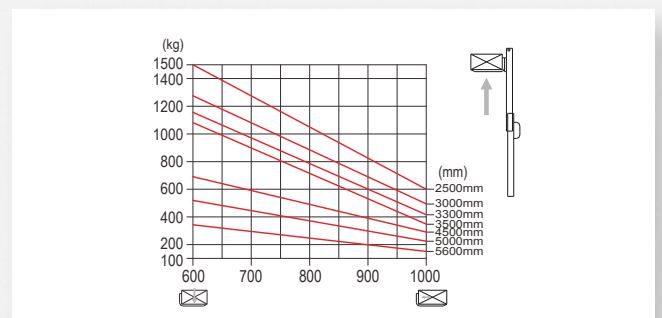
Two Sided (Cold Store)

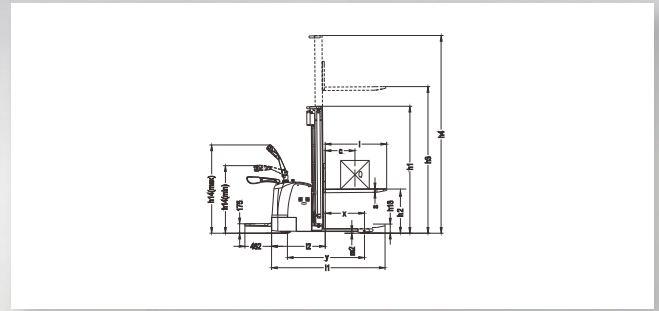
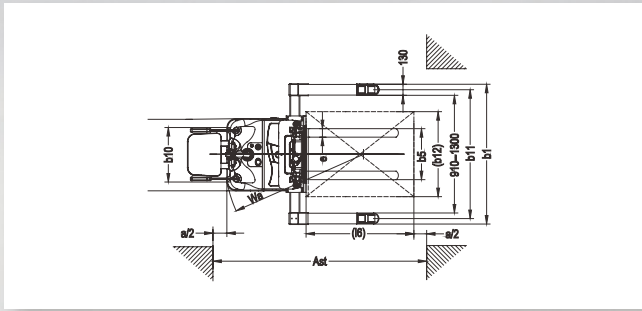
Load Charts

▶ Load Centre Chart



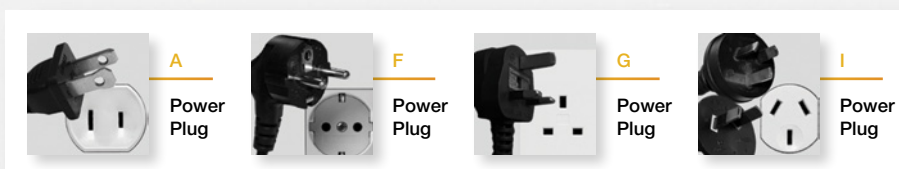
▶ Load Capacity Chart





MODEL	MEASUREMENT	MSL15XUX							
Load capacity	Q (kg)	1500							
Load centre distance	c (mm)	600							
Load distance, centre of drive axle to fork	x (mm)	697							
Fork height, lowered	h13 (mm)	70							
Wheelbase	y (mm)	1420							
Axle loading, laden front/rear	kg	1440/1280							
Axle loading, unladen front/rear	kg	870/350							
Tyres		polyurethane							
Tyre size, front	mm	φ250×70							
Tyre size, rear	mm	φ80×84							
Additional wheels (dimensions)	mm	φ150×60							
Wheels, number front rear (x=driven wheels)		1x+1/4							
Tread, front	b10 (mm)	520							
Tread, rear	b11 (mm)	1040-1430							
Mast height lowered	h1 (mm)	1805	2055	2205	2305	2120	2280	2480	
Free lift	h2 (mm)	0	0	0	0	1570	1740	1940	
Max. lift height	h3 (mm)	2500	3000	3300	3500	4500	5000	5600	
Mast height extended	h4 (mm)	3025	3525	3825	4025	5080	5560	6160	
Height of tiller in drive position min./max.	h14 (mm)	1150/1450							
Overall length	l1 (mm)	2020							
Length to face of forks	l2 (mm)	962							
Overall width	b1 (mm)	1170-1560							
Fork dimensions	s/e/l (mm)	40/100/1070 (1150)							
Width overall forks	b5 (mm)	200-800							
Ground clearance, centre of wheelbase	m2 (mm)	35							
Aisle width for pallets 1000x1200 crossways	Ast (mm)	2560							
Aisle width for pallets 800x1200 lengthways	Ast (mm)	2545							
Turning radius	Wa (mm)	1695							
Drive motor power	kW	1.2							
Lift motor power	kW	3.0							
Sound level at the driver's ear according to DIN12503	dB (A)	70							
Travel speed, laden/unladen	Km/h	6.5/6.7							
Lift speed, laden/unladen	m/s	0.11/0.15							
Lowering speed, laden/unladen	m/s	0.12/0.12							
Max. gradeability, laden/unladen	%	8/15							
Service brake		Electromagnetic							
Battery voltage, nominal capacity K5	V/Ah	24/240							
Battery weight	kg	220							
Battery dimensions l/w/h	mm	675x254x500							
Service weight (without battery)	kg	1200/1225/1240/1250/1300/1320/1340							

▶ **MSL15XUX Power Plug Type**



Yale® Dealers

Contact your nearest
Yale® Dealership by visiting
www.yale.com.au



Contact your local Yale® Dealer

Yale Pacific

1 Bullecourt Avenue, Milperra NSW, Australia 2214

Tel: +61 (2) 9795 3800 | Fax: +61 (2) 9792 8484

yale.com/pacific/en-au


Yale Asia

16 Tuas Avenue 20, Singapore 638827

Tel: +65 6863 3387 | Fax: +65 6863 3349

yale.com/asia/en-sg

YALE, and PEOPLE. PRODUCTS. PRODUCTIVITY are trademarks of Hyster-Yale Group, Inc.

 is a registered copyright of Hyster-Yale Group, Inc.

©Yale Asia Pacific 2020. All rights reserved. Specifications and details in this brochure are subject to change without prior notification.

www.yale.com.au



Manufactured in our own ISO 9001 and 14001 Registered Facilities

Trucks may be shown with optional equipment.

Yale® 
People. Products. Productivity.™