

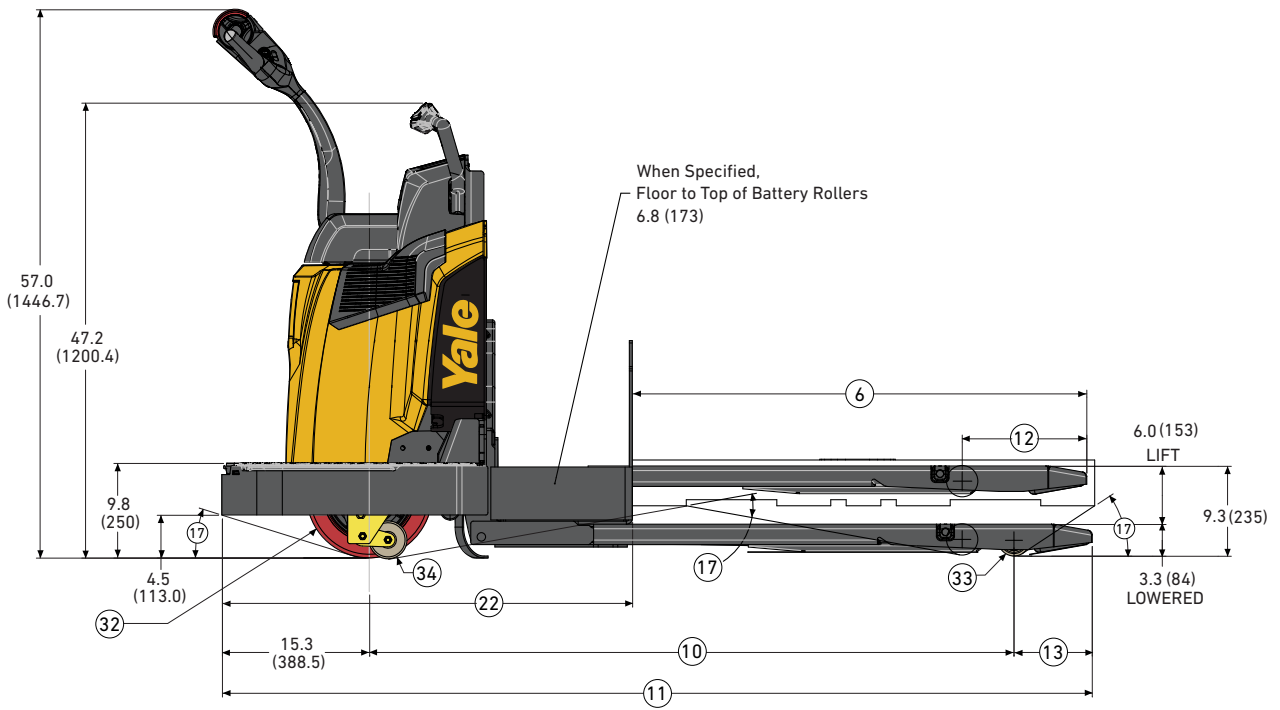


MPE 060G

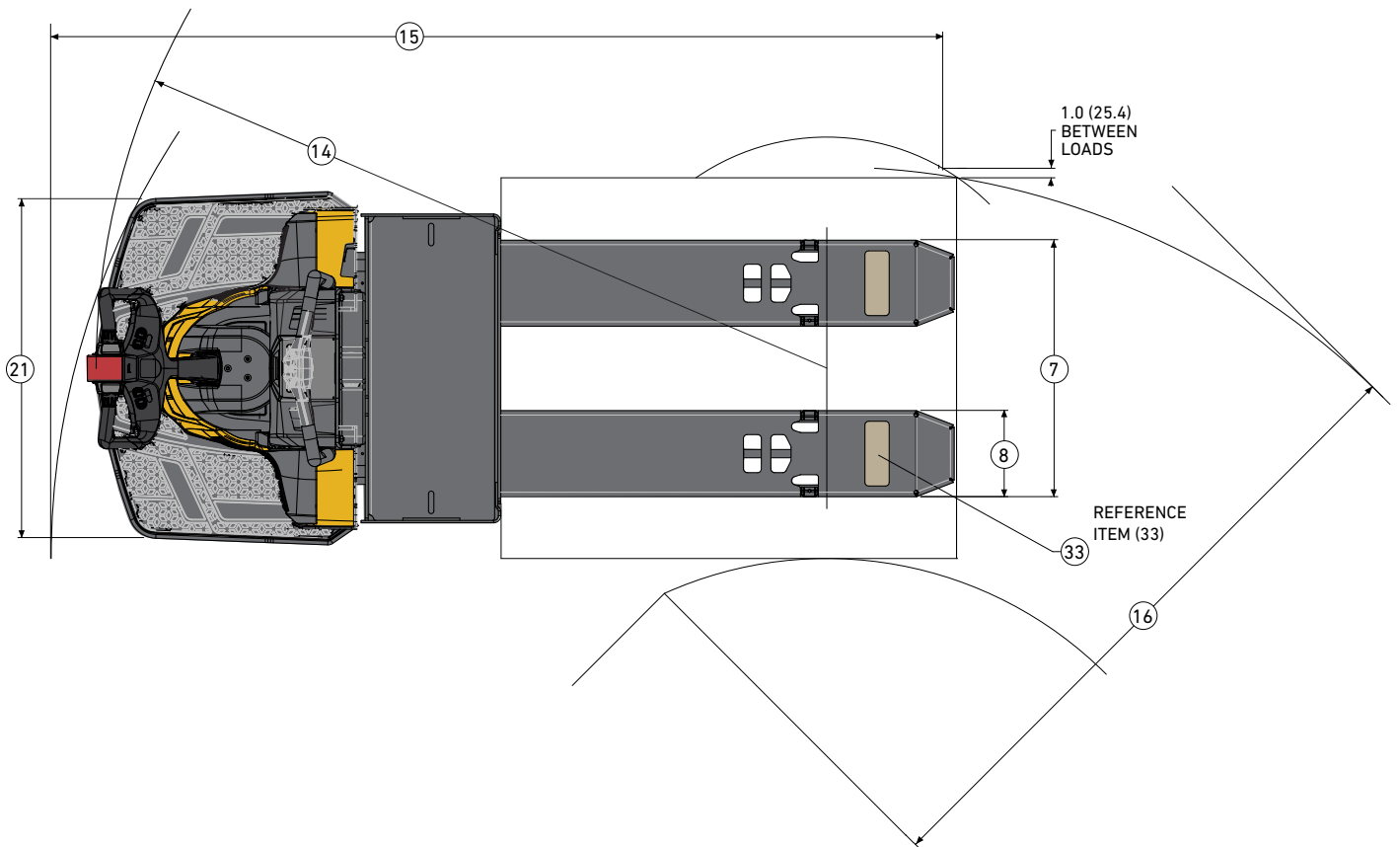
SPEC SHEET

End rider pallet truck

6,000 lbs.



Circled truck dimensions correspond to the line numbers in the General Specifications chart. Dimensions are listed in inches (millimeters).



Circled truck dimensions correspond to the line numbers in the General Specifications chart. Dimensions are listed in inches (millimeters).

GENERAL SPECIFICATIONS - MPE060G

		GENERAL							
GENERAL	1	Manufacturer		Yale					
	2	Model designation		MPE060G					
	3	Power type		24 Volt					
	4	Operator type		Stand ride					
	5	Rated capacity	lb. (kg)	6000 (2722)					
DIMENSIONS	6	Fork length	Nominal	in. (mm)	36(914)	42(1067)	48(1219)	54(1372)	60(1524)
			Actual	in. (mm)	35.7(908)	41.8(1213)	47.8(1213)	53.7(1365)	59.8(1518)
	7	Fork overall width		in. (mm)	27.1 (688)				
	8	Fork width		in. (mm)	9.1(232)				
	9	Load distance (face of battery box to center of load wheels)	Raised	in. (mm)	23.3(591)	29.3(744)	35.3(896)	41.3(1048)	47.3(1201)
			Lowered	in. (mm)	27.6(702)	33.6(854)	39.6(1007)	45.6(1159)	51.7(1312)
	10	Wheelbase	Raised	in. (mm)	53.3(1353)	59.3(1505)	65.3(1658)	71.3(1810)	77.2(1962)
			Lowered	in. (mm)	57.1(1450)	63.1(1602)	69.1(1755)	75.1(1907)	81.1(2060)
	11	Overall length	Raised	in. (mm)	79.1(2008)	85.0(2160)	91.1(2313)	97.0(2465)	103.1(2618)
			Lowered	in. (mm)	78.5(1995)	84.5(2147)	90.6(2300)	96.5(2452)	102.5(2604)
	12	Center of load wheel to fork tips	Raised	in. (mm)	12.5(317)				
	13		Lowered	in. (mm)	8.1(206)				
	14	Outside turning radius	Raised	in. (mm)	68.8(1747)	74.8(1899)	78.7(1999)	84.7(2152)	90.7(2304)
			Lowered	in. (mm)	72.6(1844)	78.6(1996)	82.5(2096)	88.5(2249)	94.5(2401)
	15	Right angle stack	Raised	in. (mm)	81.6(2073)	N/A	94.1(2391)	N/A	N/A
	16	Equal intersecting aisle	Raised	in. (mm)	63.0(1599)	N/A	69.2(1758)	N/A	N/A
	17	Grade clearance	Chassis	%	28				
			Center of wheelbase	%	38	34	31	30	27
			Forks	%	37				
	18	Overall lift height	Top of forks	in. (mm)	9.3(235)				
	19	Lowered height	Top of forks	in. (mm)	3.3(84)				
20	Total lift		in. (mm)	5.9(151)					
21	Truck overall width		in. (mm)	37.2(944)					
22	Chassis length	Raised	in. (mm)	43.3(1100)					
		Lowered	in. (mm)	42.8(1087)					
23	Battery compartment (standard /w battery rollers)		in. (mm)	32.0 x 13.4 x open (813 x 340 x open)					
PERFORMANCE	24	Max travel speed - chassis first	No load/ rated load	mph (kph)	9.0/6.0(14.5/9.7)				
	25	Max travel speed - forks first	No load/ rated load	mph (kph)	6.0/6.0(9.7/9.7)				
	26	Number of speeds		Infinitely variable					
	27	Traction motor control method	Type	AC Transistor					
28	Service brake	Type	Electro-mechanical						
WEIGHT	29	Truck weight (approx w/o battery)	No load	lb. (kg)	382(627)	1433(650)	1481(672)	1523(691)	1567(711)
			Rated load	lb. (kg)	7382(3349)	7433(3372)	7481(3394)	7523(3413)	7567(3433)
	30	Axle loading - drive	(static, max bat., no load)	lb. (kg)	1735(787)	1828(829)	1907(865)	2002(908)	2094(950)
31	Axle loading - load	(static, max bat., no load)	lb. (kg)	802(364)	754(342)	719(326)	670(304)	622(282)	
WHEELS	32	Drive tire - size/type	(# of wheels)	in.	10.0 x 4.0 x 7.5 / polyurethane (1)				
	33	Load wheel - size/type	(# of wheels) (# of bearings)	in.	3.25" x 6.5" / polyurethane (2) (4)				
	34	Caster wheel - size/type	(# of wheels) (caster type)	in.	4.0' x 2.5" / polyurethane (2) urethane block loaded				
BATTERY	35	Type		Lead acid					
	36	Ampere hours	Maximum	ah	930				
			Minimum	ah	375				
	38	Weight	Maximum	lb. (kg)	1500 (680)				
			Minimum	lb. (kg)	540 (245)				

FEATURES LIST

PERFORMANCE	STD	OPT
24 volt AC transistor control electrical system	●	
AC traction motor	●	
4 operator selectable, programmable performance modes	●	
High performance and extended shift feature	●	
ADS (Auto Deceleration System) with regenerative braking	●	
Ergonomic rear hand rail with Smart Shift Functions:		
– Smart Lift		●
– Smart Lower		●
– Smart Acceleration		●
– Smart Cruise		●
– Yale Smart Slow Down™		●
Smart coast control with pick assist		●
Manual coast control with pick assist		●
DRIVE	STD	OPT
Drive tire		
– 85 durometer, 10" x 4.0" smooth red polyurethane	●	
– 91 durometer, 10" x 4.0" smooth polyurethane		●
– 93 durometer, 10" x 4.0" super smooth polyurethane		●
Load wheels		
– single, 3.25" x 6.5" polyurethane	●	
– Single and dual		●
– 2 bearing and 4 bearing		●
– Standard bearing and sealed bearing		●
Casters		
– Spring loaded, 4" x 2.5" polyurethane wheel	●	
– Heavy duty – greaseable wheel		●
– Heavy duty – sealed wheel		●
Manual steering	●	
Power assist steering		●
LIFT	STD	OPT
Long life lift linkage with lubrication fittings	●	
– "X" groove style greaseable pivot bushings	●	
Integrated "soft start" transistor lift pump control	●	
Fork lengths		
– 48" long forks – standard tip	●	
– 36" – standard tip		●
– 42" – standard tip		●
– 60" – standard tip		●
27" fork spread	●	
Pallet exit rollers	●	
Knock-out load wheel axles	●	
Boxed fork construction with reinforced fork tips	●	
Flush pallet stop	●	
Load backrest		
– 48" high (pivoting or bolt-on)		●
– 60" high (pivoting or bolt-on)		●
– 72" high (bolt-on)		●
ERGONOMICS	STD	OPT
Ergonomic rear hand rail	●	
Composite handle with butterfly travel control	●	
Ergonomically designed, impact resistant, combination butterfly rotary control handle		●
Cushioned operator platform	●	

OPERATION	STD	OPT
Multifunction full-color touch display		
– Battery state of charge		
– Hour meter	●	
– Low battery lift interrupt		
– Performance mode indicator		
– Fault indicator		
Electro-mechanical park brake	●	
Electronic horn	●	
On-board software		
– Program, test and diagnose	●	
– No handset required		
– Password protected		
Convenience tray (load backrest mounted or battery mounted)		●
RF terminal power supply – 24-volt		●
Audible alarm		●
Visible alarm – pole mounted amber strobe		●
Blue LED spotlight		●
White rubber platform markers	●	
LED platform lights		●
Stretch film roll holder		●
Operator fan		●
Data terminal mount		●
Dual USB ports		●
12 Volt DC outlet		●
CONSTRUCTION	STD	OPT
UL Classification "E"	●	
Application/environmental construction		
– Standard construction operating temperatures: +32°F to 120°F	●	
– Cooler/Freezer Package - Operating temps: 0°F to +120°F		●
– SUBZERO Freezer Package - Operating temps: -40°F to +120°F		●
37.2" operator platform	●	
Key ignition switch	●	
Key ignition switch with touch screen password access		●
Keyless toggle start switch		●
Keyless toggle start switch with touch screen password access		●
32.0" x 13.4" open battery compartment	●	
Rubber bumper extension		●
Battery rollers		●
ENERGY SYSTEM	STD	OPT
Set for flooded cell	●	
Set for maintenance free		●
SUPPLEMENTAL	STD	OPT
Operating manual and labels – English	●	

About Yale



Yale Lift Truck Technologies leverages over a century of material handling experience and substantial investment in innovation to bring the most advanced technology-driven lift truck solutions to market. The company offers a full line of award-winning lift trucks, including reach trucks, order pickers, turret trucks, pallet jacks and trucks, pallet stackers, tow tractors and counterbalanced forklifts, as well as powerful operator assist solutions, proven robotics and a wide range of power sources to help customers adapt to today's demanding supply chain. Yale and its independent dealer network support these solutions with comprehensive after-sales service, parts, financing and training.

Yale Lift Truck Technologies is a trading name of Hyster-Yale Asia-Pacific Pty Ltd., a wholly owned subsidiary of Hyster-Yale Materials Handling, Inc. (NYSE:HY) which is headquartered in Cleveland, Ohio and operates globally.

MATERIALS HANDLING FOR:

Third-party logistics (3PL)

Auto parts distribution

Beverage

Cold & frozen foods

Food distribution

Food processing

Furniture & furnishings

Government

Health & pharma

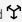
Home centers & durables

Retail & e-commerce

Yale Lift Truck Technologies | Pacific
1/23 Rowood Road
Prospect NSW 2148

Yale Lift Truck Technologies | Asia
16 Tuas Avenue 20
Singapore 638827

yale.com

© 2023 Hyster-Yale Group, Inc., all rights reserved. YALE and  are trademarks of Hyster-Yale Group, Inc. Trucks may be shown with optional equipment and/or features not available in all regions. Specifications and details in this brochure are subject to change without prior notification.