



ERP15-20VT

SPEC SHEET

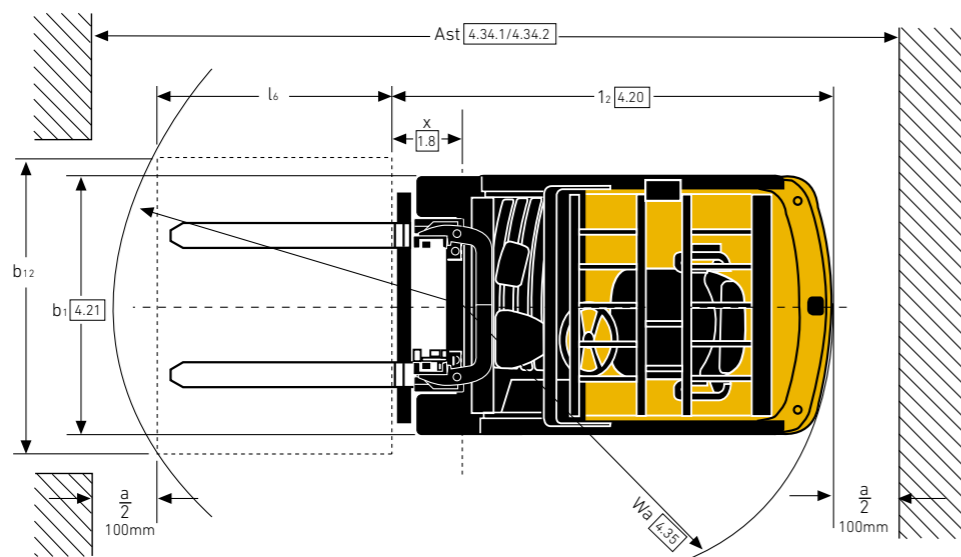
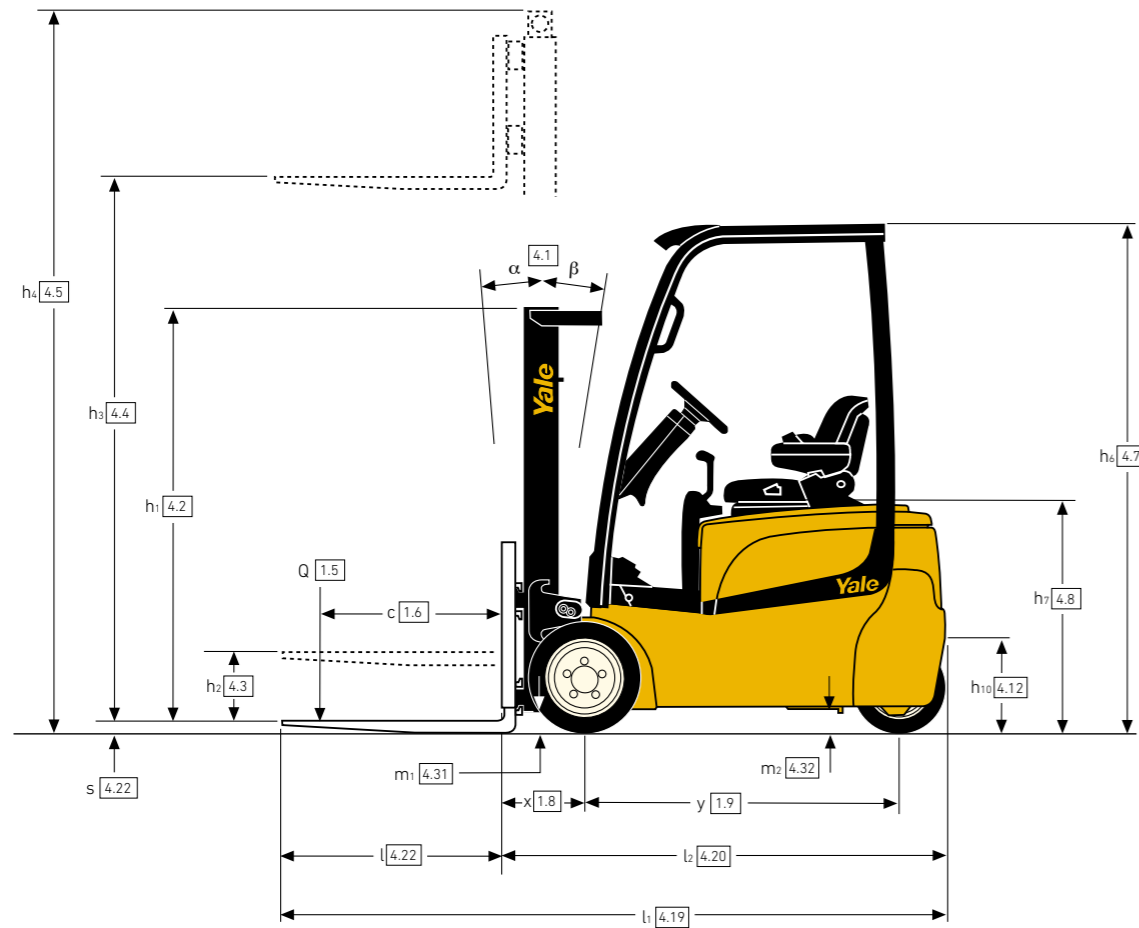
1,500 - 2,000 kg

VT Series

Electric Forklift Trucks

TRUCK DIMENSIONS – VT SERIES

$$Ast = Wa + R + a = Wa + \sqrt{(l_6 + x)^2 + (b_{12}/2 - b_{13})^2} + a$$



VDI 2198 – GENERAL SPECIFICATIONS – VT SERIES

		Yale					
		ERP 15VT (SWB)	ERP 16VT (SWB)	ERP 16VT (MWB)	ERP 16VT (LWB)		
GENERAL	1-1	Manufacturer	Yale				
	1-2	Model designation					
	1-3	Drive	Electric (battery)				
	1-4	Operator type	Seated				
	1-5	Rated capacity/rated load	Q (t)	1.5	1.6		
	1-6	Load centre distance	c (mm)	500			
	1-8	Load distance, centre of drive axle to fork	x (mm)	326			
	1-9	Wheelbase	y (mm)	1290	1290	1386	1494
	WEIGHT	2-1	Service weight ⁽¹⁾	kg	2971	3083	
2-2		Axle loading, laden front/rear ⁽¹⁾	kg	3892 / 580	4096 / 587	4050 / 633	4056 / 802
2-3		Axle loading, unladen front/rear ⁽¹⁾	kg	1430 / 1541	1470 / 1613	1495 / 1588	1571 / 1687
TYRES	3-1	Tyres front/rear	Superelastic				
	3-2	Tyre size, front	18 x 7-8				
	3-3	Tyre size, rear	15 x 4.5-8				
	3-5	Wheels, number front/rear (x = driven wheels)	2X / 2				
	3-6	Tread, front	b ₁₀ (mm)	889			
	3-7	Tread, rear	b ₁₁ (mm)	194			
	DIMENSIONS	4-1	Tilt of mast/fork carriage forward/backward	α / β (°)	5 / 5		
4-2		Height, mast lowered	h ₁ (mm)	2230			
4-3		Free lift ⁽²⁾	h ₂ (mm)	100			
4-4		Lift ⁽²⁾	h ₃ (mm)	3320			
4-5		Height, mast extended ⁽³⁾	h ₄ (mm)	3898			
4-7		Height of overhead guard (cabin) ⁽⁴⁾	h ₆ (mm)	2070			
4-7-1		Cab height (open cab)		2085			
4-8		Seat height relating to SIP/stand height ⁽⁵⁾	h ₇ (mm)	919			
4-12		Coupling height	h ₁₀ (mm)	500			
4-19		Overall length	l ₁ (mm)	2807	2903	3011	
4-20		Length to face of forks	l ₂ (mm)	1807	1903	2011	
4-21		Overall width ⁽⁶⁾	b ₁ /b ₂ (mm)	1050 ⁽⁶⁾			
4-22		Fork dimensions ISO 2331	s/e/l (mm)	40 / 80 / 1000			
4-23		Fork carriage ISO 2328, class/type A, B		2A			
4-24		Fork carriage width ⁽⁷⁾	b ₃ (mm)	907			
4-31		Ground clearance, laden, below mast	m ₁ (mm)	70			
4-32		Ground clearance at centre of wheelbase ⁽⁸⁾	m ₂ (mm)	100			
4-33		Load dimension b ₁₂ × l ₆ crossways	b ₁₂ × l ₆ (mm)	1000 x 1200			
4-34		Aisle width predetermined load dimensions	Ast (mm)	3134	3232	3340	
4-34-1		Aisle width for pallets 1000 × 1200 crossways	Ast (mm)	3134	3232	3340	
4-34-2		Aisle width for pallets 800 × 1200 lengthways	Ast (mm)	3257	3355	3463	
4-35		Turning radius	Wa (mm)	1479	1577	1685	
4-36		Internal turning radius	b ₁₃ (mm)	0			
4-41		90° intersecting aisle (With pallet W = 1200mm, L = 1000mm)	mm	1718	1754	1798	
4-42	Step Height (from ground to running board)	mm	557				
4-43	Step Height	mm	484				
PERFORMANCE	5-1	Travel speed, laden/unladen ⁽⁹⁾	km/h	16 / 16			
	5-1-1	Travel speed, laden/unladen, backwards	km/h	16 / 16			
	5-2	Lift speed, laden/unladen	m/s	0.43 / 0.59			
	5-3	Lowering speed, laden/unladen	m/s	0.50 / 0.47			
	5-5	Drawbar pull, laden/unladen ⁽¹⁰⁾	N	3406 / 3680			
	5-6	Max. drawbar pull, laden/unladen ⁽¹¹⁾	N	11415 / 11690			
	5-7	Gradeability, laden/unladen ⁽¹²⁾	%	11 / 16			
	5-8	Max. gradeability, laden/unladen ⁽¹¹⁾	%	25 / 34	25 / 35		
	5-9	Acceleration time, laden/unladen ⁽⁹⁾	s	4.6 / 4.1			
	5-10	Service brake		Electric			
ELECTRIC	6-1	Drive motor rating S2 60 min	kW	2 x 5.0			
	6-2	Lift motor rating at S3 15%	kW	12			
	6-3	Battery according to DIN 43531/35/36 A, B, C, no		DIN 43531-A			
	6-4	Battery voltage/nominal capacity K5	(V)/(ah)	48 / 500	48 / 625	48 / 750	
	6-5	Battery weight ⁽¹³⁾	kg	673 / 743	813 / 899	962 / 1064	
	6-6	Energy consumption according to VDI cycle ⁽¹⁴⁾	kWh/h @ no. of cycles	3.9	4.2		
OTHER	8-1	Type of drive unit	Electric transmission				
	10-1	Operating pressure for attachments	bar	180			
	10-2	Oil volume for attachments ⁽¹⁵⁾	l/min	40			
	10-3	Hydraulic oil tank, capacity	l	16.8			
	10-7	Sound pressure level at the driver's seat LPAZ ⁽¹⁶⁾	dB(A)	69			
	10-8	Towing coupling, type DIN		Pin			

- (1) Max. battery
- (2) Bottom of forks
- (3) Without load backrest
- (4) h₆ subject to +/- 5mm tolerance
- (5) Full suspension seat specified. Standard hood specified. 953mm with raised hood

- (6) Overall width 1116mm with required 200/50-10 tyres fitted for masts 5000mm and over
- (7) Add 32mm with load backrest
- (8) Value shown for vertical battery removal; horizontal battery removal has 90mm of clearance at center of wheelbase
- (9) HiP performance

All values are nominal values and they are subject to tolerances.

VDI 2198 – GENERAL SPECIFICATIONS – VT SERIES

		Yale				
		ERP 18VT (MWB)	ERP 18VT (LWB)	ERP 20VT (MWB)	ERP 20VT (LWB)	
GENERAL	1-1	Manufacturer				
	1-2	Model designation				
	1-3	Drive				
	1-4	Operator type				
	1-5	Rated capacity/rated load		Seated		
	1-6	Load centre distance		500		
	1-8	Load distance, centre of drive axle to fork				
	1-9	Wheelbase				
	WEIGHT	2-1	Service weight ⁽¹⁾			
2-2		Axle loading, laden front/rear ⁽¹⁾				
2-3		Axle loading, unladen front/rear ⁽¹⁾				
TYRES	3-1	Tyres front/rear				
	3-2	Tyre size, front				
	3-3	Tyre size, rear				
	3-5	Wheels, number front/rear (x = driven wheels)				
	3-6	Tread, front				
	3-7	Tread, rear				
	DIMENSIONS	4-1	Tilt of mast/fork carriage forward/backward			
4-2		Height, mast lowered				
4-3		Free lift ⁽²⁾				
4-4		Lift ⁽²⁾				
4-5		Height, mast extended ⁽³⁾				
4-7		Height of overhead guard (cabin) ⁽⁴⁾				
4-7-1		Cab height (open cab)				
4-8		Seat height relating to SIP/stand height ⁽⁵⁾				
4-12		Coupling height				
4-19		Overall length				
4-20		Length to face of forks				
4-21		Overall width ⁽⁶⁾				
4-22		Fork dimensions ISO 2331				
4-23		Fork carriage ISO 2328, class/type A, B				
4-24		Fork carriage width ⁽⁷⁾				
4-31		Ground clearance, laden, below mast				
4-32		Ground clearance at centre of wheelbase ⁽⁸⁾				
4-33		Load dimension b ₁₂ × l ₆ crossways				
4-34		Aisle width predetermined load dimensions				
4-34-1		Aisle width for pallets 1000 × 1200 crossways				
4-34-2		Aisle width for pallets 800 × 1200 lengthways				
4-35		Turning radius				
4-36		Internal turning radius				
4-41		90° intersecting aisle (With pallet W = 1200mm, L = 1000mm)				
4-42		Step Height (from ground to running board)				
4-43		Step Height				
PERFORMANCE		5-1	Travel speed, laden/unladen ⁽⁹⁾			
		5-1-1	Travel speed, laden/unladen, backwards			
		5-2	Lift speed, laden/unladen			
	5-3	Lowering speed, laden/unladen				
	5-5	Drawbar pull, laden/unladen ⁽¹⁰⁾				
	5-6	Max. drawbar pull, laden/unladen ⁽¹¹⁾				
	5-7	Gradeability, laden/unladen ⁽¹²⁾				
	5-8	Max. gradeability, laden/unladen ⁽¹¹⁾				
	5-9	Acceleration time, laden/unladen ⁽⁹⁾				
	5-10	Service brake				
ELECTRIC	6-1	Drive motor rating S2 60 min				
	6-2	Lift motor rating at S3 15%				
	6-3	Battery according to DIN 43531/35/36 A, B, C, no				
	6-4	Battery voltage/nominal capacity K5				
	6-5	Battery weight ⁽¹³⁾				
	6-6	Energy consumption according to VDI cycle ⁽¹⁴⁾				
OTHER	8-1	Type of drive unit				
	10-1	Operating pressure for attachments				
	10-2	Oil volume for attachments ⁽¹⁵⁾				
	10-3	Hydraulic oil tank, capacity				
	10-7	Sound pressure level at the driver's seat LPAZ ⁽¹⁶⁾				
10-8	Towing coupling, type DIN					

- (10) 60 minute rating
 (11) 5 minute rating
 (12) 30 minute rating
 (13) Min./max.
 (14) eLo performance

- (15) Maximum flow set through dash display
 (16) LPAZ, measured according to the test cycles and based on the weighting values contained in EN12053
Spec sheet truck based on: 3360mm (Clear View) and 3430mm (Hi-Vis) to top of fork, 2 stage LFL mast with standard carriage and 1000mm forks, with HiP performance setting, DIN battery configuration

MAST DIMENSIONS – ERP 15VT SWB

h ₁ (mm)	h _{2+S} (mm)	h _{3+S} (mm)	h ₄ (mm)	Tilt		Forks			Integral sideshift		
						Load centre (kg)			Load centre (kg)		
						500	600	700	500	600	700
2-Stage Limited Free-Lift (LFL) Clear View											
2230	100	3320	3865 ⁽¹⁾	5	5	1500	1300	1300	1500	1300	1250
2580	100	3820	4365 ⁽¹⁾	5	5	1500	1300	1300	1500	1300	1250
2830	100	4320	4865 ⁽¹⁾	5	5	1480	1280	1280	1480	1280	1230
3180	100	4820	5365 ⁽¹⁾	5	5	1390	1210	1200	1390	1210	1150
3-Stage Full Free-Lift (FFL) Mast Clear View											
2080	1530 ⁽²⁾	4560	5105 ⁽³⁾	5	5	1450	1250	1250	1450	1250	1190
2180	1630 ⁽²⁾	4860	5405 ⁽³⁾	5	5	1390	1210	1200	1390	1210	1140
2330	1780 ⁽²⁾	5160	5705 ⁽³⁾	5	5	1340	1160	1150	1340	1160	1090
2430	1880 ⁽²⁾	5460	6005 ⁽³⁾	5	4	1280	1110	1100	1280	1110	1040
2-Stage Limited Free-Lift (LFL) Hi-Vis											
2180	100	3390	4005 ⁽⁴⁾	5	5	1500	1300	1300	1500	1300	1240
2530	100	3890	4505 ⁽⁴⁾	5	5	1500	1300	1300	1500	1300	1240
2780	100	4390	5005 ⁽⁴⁾	5	5	1480	1280	1280	1480	1280	1220
3130	100	4890	5505 ⁽⁴⁾	5	5	1390	1210	1200	1390	1210	1140
2-Stage Full Free-Lift (FFL) Hi-Vis											
2080	1465 ⁽⁶⁾	3175	3725 ⁽⁵⁾	5	5	1500	1300	1300	1500	1300	1250
2330	1715 ⁽⁶⁾	3675	4225 ⁽⁵⁾	5	5	1500	1300	1300	1500	1300	1240
2680	2065 ⁽⁶⁾	4295	4845 ⁽⁵⁾	5	5	1500	1300	1300	1500	1300	1240
3-Stage Full Free-Lift (FFL) Hi-Vis											
2030	1415 ⁽⁶⁾	4560	5175 ⁽⁵⁾	5	5	1470	1270	1270	1470	1270	1210
2130	1515 ⁽⁶⁾	4860	5375 ⁽⁵⁾	5	5	1420	1230	1230	1420	1230	1170
2280	1665 ⁽⁶⁾	5160	5775 ⁽⁵⁾	5	5	1360	1180	1180	1360	1180	1120
2380	1765 ⁽⁶⁾	5460	6075 ⁽⁵⁾	5	4	1300	1130	1130	1300	1130	1070

(1) Add for w/LBRE: 721. (2) Subtract w/LBRE: 723. (3) Add for w/LBRE: 723. (4) Add for w/LBRE: 656. (5) Add for w/LBRE: 655. (6) Subtract w/LBRE: 655.

MAST DIMENSIONS – ERP 16VT SWB/MWB

h ₁ (mm)	h _{2+S} (mm)	h _{3+S} (mm)	h ₄ (mm)	Tilt		SWB			MWB		
						Load centre (kg)			Load centre (kg)		
						500	600	700	500	600	700
2-Stage Limited Free-Lift (LFL) Clear View											
2230	100	3320	3865 ⁽¹⁾	5	5	1600	1450	1390	1600	1450	1330
2580	100	3820	4365 ⁽¹⁾	5	5	1600	1450	1380	1600	1450	1330
2830	100	4320	4865 ⁽¹⁾	5	5	1580	1430	1360	1580	1430	1310
3180	100	4820	5365 ⁽¹⁾	5	5	1490	1350	1280	1490	1350	1230
3-Stage Full Free-Lift (FFL) Mast Clear View											
2080	1530 ⁽²⁾	4560	5105 ⁽³⁾	5	5	1540	1400	1330	1540	1400	1260
2180	1630 ⁽²⁾	4860	5405 ⁽³⁾	5	5	1490	1350	1280	1490	1350	1220
2330	1780 ⁽²⁾	5160	5705 ⁽³⁾	5	5	1430	1300	1230	1430	1300	1170
2430	1880 ⁽²⁾	5460	6005 ⁽³⁾	5	4	1380	1250	1180	1380	1230	1120
2-Stage Limited Free-Lift (LFL) Hi-Vis											
2180	100	3390	4005 ⁽⁴⁾	5	5	1600	1450	1390	1600	1450	1320
2530	100	3890	4505 ⁽⁴⁾	5	5	1600	1450	1380	1600	1450	1310
2780	100	4390	5005 ⁽⁴⁾	5	5	1580	1430	1370	1580	1430	1300
3130	100	4890	5505 ⁽⁴⁾	5	5	1490	1350	1280	1490	1350	1220
2-Stage Full Free-Lift (FFL) Hi-Vis											
2080	1465 ⁽⁶⁾	3175	3725 ⁽⁵⁾	5	5	1600	1450	1400	1600	1450	1330
2330	1715 ⁽⁶⁾	3675	4225 ⁽⁵⁾	5	5	1600	1450	1390	1600	1450	1320
2680	2065 ⁽⁶⁾	4295	4845 ⁽⁵⁾	5	5	1600	1450	1380	1600	1450	1310
3-Stage Full Free-Lift (FFL) Hi-Vis											
2030	1415 ⁽⁶⁾	4560	5175 ⁽⁵⁾	5	5	1570	1420	1360	1570	1420	1290
2130	1515 ⁽⁶⁾	4860	5375 ⁽⁵⁾	5	5	1520	1370	1310	1520	1370	1240
2280	1665 ⁽⁶⁾	5160	5775 ⁽⁵⁾	5	5	1380	1320	1310	1460	1320	1190
2380	1765 ⁽⁶⁾	5460	6075 ⁽⁵⁾	5	4	1400	1270	1200	1400	1260	1140

(1) Add for w/LBRE: 721. (2) Subtract w/LBRE: 723. (3) Add for w/LBRE: 723. (4) Add for w/LBRE: 656. (5) Add for w/LBRE: 655. (6) Subtract w/LBRE: 655.

Note that the capacities are given in kilograms. All ratings with DIN Battery. All ratings with 1000mm forks and less load backrest.

All values are nominal values and they are subject to tolerances.

About Yale®

Yale Materials Handling Corporation is one of the oldest manufacturers of lift trucks in the world. We've been in the business of lifting since 1875 and we apply that experience to help customers solve materials handling challenges. Our full line of lift trucks range in capacity from 1 to 16 tonne and are powered by internal combustion engines or electric options. Yale also offers robotic solutions, telemetry, fleet management, parts, financing and training. From traditional lift truck equipment to emerging technologies, our goal, every day, is to work with our nationwide dealer network to continually improve and provide the solutions you need, when and how you need them.

MATERIALS HANDLING FOR:

- 3PL
- Auto Parts
- Beverage
- Cold & Frozen Foods
- Food Distribution
- Food Processing
- Furniture & Furnishings
- Health & Pharma
- Home Centres
- Retail
- E-Commerce

Yale Lift Truck Technologies

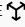
Centennial House
Frimley Business Park
Frimley
Surrey
GU16 7SG
United Kingdom

www.yale.com



Safety: All Yale products sold into EU countries, UK, and Turkey conform to the EU requirements of Machinery Directive 2006/42/EC and contain **CE** marking. Yale trucks sold into other countries may be ordered for production in conformance with Machinery Directive requirements, and when so ordered will contain **CE** marking.

HYSTER-YALE UK LIMITED trading as Yale Lift Truck Technologies. Registered Address: Centennial House, Building 4.5, Frimley Business Park, Frimley, Surrey, GU16 7SG, United Kingdom. Registered in England and Wales. Company Registration Number: 02636775.

©2023 Hyster-Yale Group, Inc., all rights reserved. YALE and YALE  are trademarks of Hyster-Yale Group, Inc. Trucks may be shown with optional equipment and/or features not available in all regions. Truck performance may be affected by the condition of the vehicle, how it is equipped and the application. Specifications are subject to change without notice.

Notice: Care must be exercised when handling elevated loads. Operators must be trained and must read, understand and follow the instructions contained in the Operating Manual. Consult your Yale® Dealer if any of the information shown is critical to your application.

Publication part no. 220991844 Rev.01 (1123TLC) EN