



GDP/GLP 40-50UX

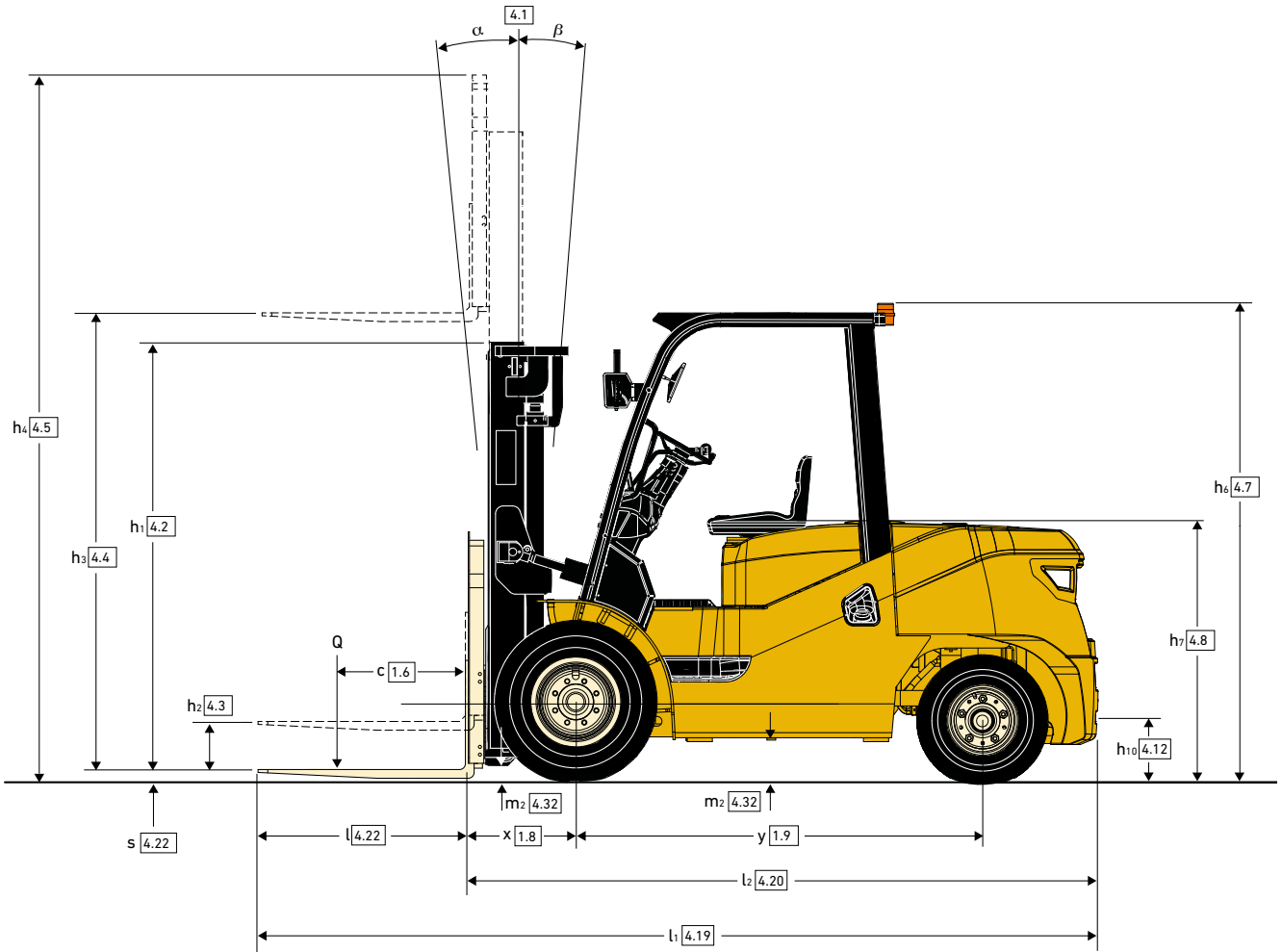
SPEC SHEET

4,000 - 5,000 kg

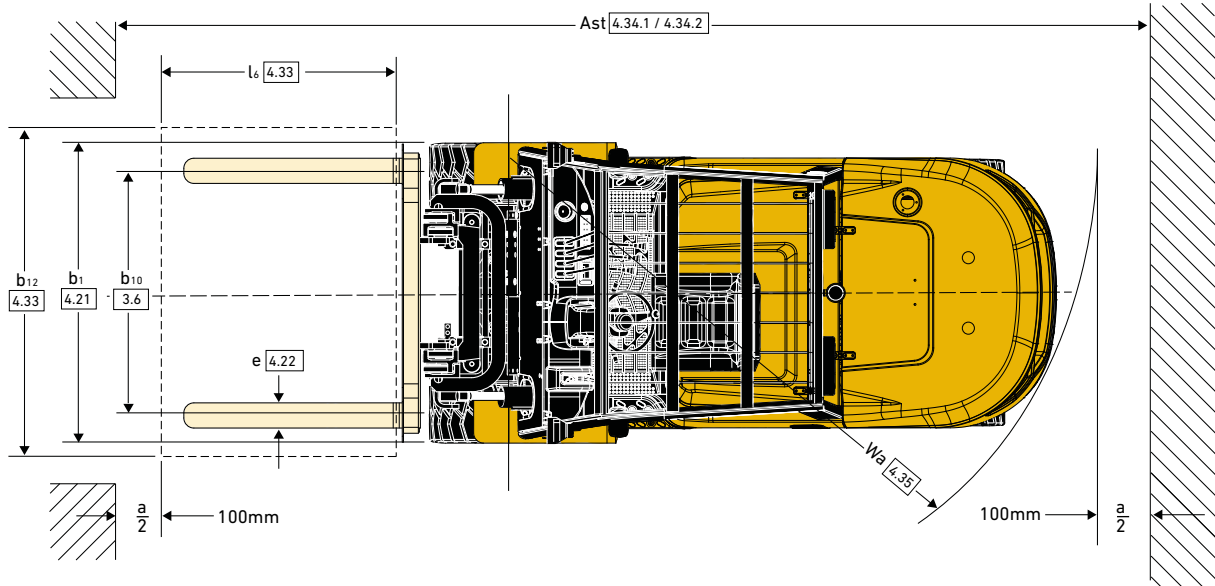
UX Series

Diesel and LPG
Forklift Trucks

TRUCK DIMENSIONS – UX SERIES



TRUCK DIMENSIONS – UX SERIES



VDI 2198 – GENERAL SPECIFICATIONS – UX SERIES

			Yale				
			GDP 40UX		GDP 45UX		
GENERAL	1.1	Manufacturer					
	1.2	Model designation					
	1.3	Drive	Diesel				
	1.3.1	CE Compliance / Emission Standard	Stage IIIA	Stage V	Stage IIIA	Stage V	
	1.4	Operator type	Seat				
	1.5	Rated capacity/Rated load	Q (kg)	4000		4500	
	1.6	Load centre distance	c (mm)	500			
	1.8	Load distance, centre of drive axle to fork	x (mm)	575			
	1.9	Wheelbase (with mast vertical)	y (mm)	2100			
WEIGHT	2.1	Service weight	kg	6435		6670	
	2.2	Axle loading, laden front	kg	9195		9917	
	2.2.1	Axle loading, laden rear	kg	1240		1253	
	2.3	Axle loading, unladen front	kg	3075		2910	
	2.3.1	Axle loading, unladen rear	kg	3360		3760	
TYRES	3.1	Tyres, front/rear	Superelastic				
	3.2	Tyre size, front	300-15NHS				
	3.3	Tyre size, rear	7.00-12NHS				
	3.5	Wheels, number Front/Rear (x=drive wheels)	2X2				
	3.6	Tread, front	b ₁₀ (mm)	1190			
	3.7	Tread, rear	b ₁₁ (mm)	1130			
	DIMENSIONS	4.1	Tilt of mast/fork carriage, forward /backward	α / β (°)	6/12		
4.2		2LFL mast lowered	h ₁ (mm)	2250			
4.3		2LFL free lift - Bottom of forks	h ₂ (mm)	150			
4.4		2LFL lift - Bottom of forks	h ₃ (mm)	3000			
4.5		Height, mast extended	h ₄ (mm)	4260			
4.7		Height of overhead guard (high/low) ⁽¹⁾	h ₆ (mm)	2250 (2400)			
4.8		Seat height/stand height (SIP from ground - Standard)	h ₇ (mm)	1350			
4.12		Towing coupling height	h ₁₀ (mm)	340			
4.19		Overall length	l ₁ (mm)	4280			
4.20		Length to face of forks	l ₂ (mm)	3210			
4.21		Overall width, Standard / Dual	b ₁ / b ₂ (mm)	1490/1924			
4.22		Fork dimensions ISO2331	s/e/l (mm)	50/150/1070			
4.23		Fork carriage ISO 2328. Class/type, A/B		ISO 3A			
4.24		Fork carriage width	b ₃ (mm)	1380			
4.31		Ground clearance, laden, below mast	m ₁ (mm)	130			
4.32		Ground clearance, centre of wheelbase	m ₂ (mm)	186			
4.33		Load dimension b ₁₂ x l ₆ crossways	b ₁₂ x l ₆ (mm)	1000x1000			
4.34		Aisle width with predetermined load dimensions	A _{st} (mm)	4695			
4.34.1		Aisle width with pallets 1000mm x 1200mm crossways	A _{st} (mm)	4825			
4.34.2		Aisle width with pallets 800mm x 1200mm crossways	A _{st} (mm)	4825			
4.35	Outside turning radius	W _a (mm)	2850				
4.36	Internal turning radius	b ₁₃ (mm)	845				
PERFORMANCE	5.1	Travel speed laden/unladen - Shift 2	km/h	24/25	22/24	24/25	22/24
	5.1.1	Travel speed laden/unladen - Shift 1	km/h	17/18	15/16	17/18	15/16
	5.1.2	Travel speed, laden / unladen, backwards - Shift 1	km/h	19/20	17/19	19/20	17/19
	5.2	Lifting speed, laden/unladen	mm/s	530/560			
	5.3	Lowering speed laden/unladen	mm/s	480/500			
	5.6	Maximum drawbar pull laden/unladen	N	30000/23000	25000/21000	30000/23000	25000/21000
	5.7	Gradeability laden/unladen @ 4.8km/h	%	24/25	20/25	22/25	20/25
	5.9	Acceleration time with/without load (S) 15m	sec	5.41(S1) / 5.06(S2)	5.24(S1) / 5.34(S2)	5.41(S1) / 5.06(S2)	5.24(S1) / 5.34(S2)
	5.9.1	Acceleration time with/without load (S) 15m	sec	4.52(S1) / 4.35(S2)	4.82(S1) / 4.50(S2)	4.52(S1) / 4.35(S2)	4.82(S1) / 4.50(S2)
	5.10	Service brake		Hydraulic			
ENGINE	7.1	Engine manufacturer/type	Mitsubishi S6S	Kubota V3800-CR-TE5CB-HYM-1	Mitsubishi S6S	Kubota V3800-CR-TE5CB-HYM-1	
	7.2	Engine power	Kw	52	55.4	52	55.4
	7.3	Rated speed	min-1	2300	2200	2300	2200
	7.4	Number of cylinders/displacement	-/cm ³	6/4996	4/3769	6/4996	4/3769
	7.5	Fuel consumption according to VDI cycle	l/h or kg/h	7.62l/h / 6.4kg/h	5l/h / 4.2kg/h	7.62l/h / 6.4kg/h	5l/h / 4.2kg/h
	7.6	Turnover output	t/h	345t/h	375t/h	345t/h	375t/h
	7.7	Energy consumption at turnover output	l/h or kg/h	9.97l/h / 8.37kg/h	8.93l/h / 7.5kg/h	9.97l/h / 8.37kg/h	8.93l/h / 7.5kg/h
	7.8	Generator	A	35	100	35	100
	7.9	Vehicle electrical system voltage	V	24	12	24	12
	7.10	Battery voltage/nominal capacity	V/Ah	2-12/60	12/120	2-12/60	12/120
OTHER	8.1	Type of drive unit	E-Hydraulic				
	10.1	Operating pressure for attachments	bar	195			
	10.2	Oil volume for attachments	l/min	70			
	10.4	Fuel tank capacity	L	100			
	10.7	Sound pressure at driver's ear OHG	dB (A)	88	81.5	88	81.5
	10.7.1	Sound power level during the workcycle	dB (A)	109.6	99.7	109.6	99.7
	10.8	Towing couple type		PIN			

(1) Height of low overhead guard (cabin): 2250mm; Height of high overhead guard (cabin): 2400mm

VDI 2198 – GENERAL SPECIFICATIONS – UX SERIES

GENERAL	1.1	Manufacturer		Yale	
	1.2	Model designation		GDP 50UX	
	1.3	Drive		Diesel	
	1.3.1	CE Compliance / Emission Standard		Stage IIIA	Stage V
	1.4	Operator type		Seat	
	1.5	Rated capacity/Rated load	Q (kg)	5000	
	1.6	Load centre distance	c (mm)	500	
	1.8	Load distance, centre of drive axle to fork	x (mm)	580	
	1.9	Wheelbase (with mast vertical)	y (mm)	2100	
WEIGHT	2.1	Service weight	kg	7010	
	2.2	Axle loading, laden front	kg	10810	
	2.2.1	Axle loading, laden rear	kg	1200	
	2.3	Axle loading, unladen front	kg	3160	
	2.3.1	Axle loading, unladen rear	kg	3850	
TYRES	3.1	Tyres, front/rear		Superelastic	
	3.2	Tyre size, front		300-15NHS	
	3.3	Tyre size, rear		7.00-12NHS	
	3.5	Wheels, number Front/Rear (x=drive wheels)		2X2	
	3.6	Tread, front	b ₁₀ (mm)	1190	
	3.7	Tread, rear	b ₁₁ (mm)	1130	
	DIMENSIONS	4.1	Tilt of mast/fork carriage, forward /backward	α / β (°)	6/12
4.2		2LFL mast lowered	h ₁ (mm)	2250	
4.3		2LFL free lift - Bottom of forks	h ₂ (mm)	155	
4.4		2LFL lift - Bottom of forks	h ₃ (mm)	3000	
4.5		Height, mast extended	h ₄ (mm)	4260	
4.7		Height of overhead guard (high/low) ⁽¹⁾	h ₆ (mm)	2250 (2400)	
4.8		Seat height/stand height (SIP from ground - Standard)	h ₇ (mm)	1350	
4.12		Towing coupling height	h ₁₀ (mm)	340	
4.19		Overall length	l ₁ (mm)	4345	
4.20		Length to face of forks	l ₂ (mm)	3275	
4.21		Overall width, Standard / Dual	b ₁ / b ₂ (mm)	1490/1924	
4.22		Fork dimensions ISO2331	s/e/l (mm)	55/150/1070	
4.23		Fork carriage ISO 2328. Class/type, A/B		ISO 3A	
4.24		Fork carriage width	b ₃ (mm)	1380	
4.31		Ground clearance, laden, below mast	m ₁ (mm)	130	
4.32		Ground clearance, centre of wheelbase	m ₂ (mm)	186	
4.33		Load dimension b ₁₂ x l ₆ crossways	b ₁₂ x l ₆ (mm)	1000x1000	
4.34		Aisle width with predetermined load dimensions	A _{st} (mm)	4755	
4.34.1		Aisle width with pallets 1000mm x 1200mm crossways	A _{st} (mm)	4885	
4.34.2		Aisle width with pallets 800mm x 1200mm crossways	A _{st} (mm)	4885	
4.35	Outside turning radius	W _a (mm)	2905		
4.36	Internal turning radius	b ₁₃ (mm)	845		
PERFORMANCE	5.1	Travel speed laden/unladen - Shift 2	km/h	25/27	22/24
	5.1.1	Travel speed laden/unladen - Shift 1	km/h	17/18	15/16
	5.1.2	Travel speed, laden / unladen, backwards - Shift 1	km/h	19/20	17/19
	5.2	Lifting speed, laden/unladen	mm/s	530 / 560	
	5.3	Lowering speed laden/unladen	mm/s	480 / 500	
	5.6	Maximum drawbar pull laden/unladen	N	30000/23000	25000/21000
	5.7	Gradeability laden/unladen @ 4.8km/h	%	20/25	20/25
	5.9	Acceleration time with/without load (S) 15m	sec	5.41(S1) / 5.06(S2)	5.24(S1) / 5.34(S2)
	5.9.1	Acceleration time with/without load (S) 15m	sec	4.52(S1) / 4.35(S2)	4.82(S1) / 4.50(S2)
	5.10	Service brake		Hydraulic	
ENGINE	7.1	Engine manufacturer/type		Mitsubishi S6S	Kubota V3800-CR-TE5CB-HYM-1
	7.2	Engine power	Kw	52	55.4
	7.3	Rated speed	min-1	2300	2200
	7.4	Number of cylinders/displacement	-/cm ³	6/4996	4/3769
	7.5	Fuel consumption according to VDI cycle	l/h or kg/h	7.62l/h / 6.4kg/h	5l/h / 4.2kg/h
	7.6	Turnover output	t/h	345t/h	375t/h
	7.7	Energy consumption at turnover output	l/h or kg/h	9.97l/h / 8.37kg/h	8.93l/h / 7.5kg/h
	7.8	Generator	A	35	100
	7.9	Vehicle electrical system voltage	V	24	12
	7.10	Battery voltage/nominal capacity	V/Ah	2-12/60	12/120
OTHER	8.1	Type of drive unit		E-Hydraulic	
	10.1	Operating pressure for attachments	bar	195	
	10.2	Oil volume for attachments	l/min	70	
	10.4	Fuel tank capacity	L	100	
	10.7	Sound pressure at driver's ear OHG	dB (A)	88	81.5
	10.7.1	Sound power level during the workcycle	dB (A)	109.6	99.7
	10.8	Towing couple type		PIN	

All values are nominal values and they are subject to tolerances.

VDI 2198 – GENERAL SPECIFICATIONS – UX SERIES

GENERAL	1.1	Manufacturer	Yale						
	1.2	Model designation	GLP 40UX			GLP 45UX			
	1.3	Drive	Dual	LPG	Dual	LPG			
1.3.1	CE Compliance / Emission Standard		Stage IIIA	Stage V	Stage IIIA	Stage V			
1.4	Operator type		Seat						
1.5	Rated capacity/Rated load	Q (kg)	4000			4500			
1.6	Load centre distance	c (mm)	500						
1.8	Load distance, centre of drive axle to fork	x (mm)	575						
1.9	Wheelbase (with mast vertical)	y (mm)	2100						
WEIGHT	2.1	Service weight	kg	6435			6670		
	2.2	Axle loading, laden front	kg	9195			9917		
	2.2.1	Axle loading, laden rear	kg	1240			1253		
	2.3	Axle loading, unladen front	kg	3075			2910		
	2.3.1	Axle loading, unladen rear	kg	3360			3760		
TYRES	3.1	Tyres, front/rear	Superelastic						
	3.2	Tyre size, front	300-15NHS						
	3.3	Tyre size, rear	7.00-12NHS						
	3.5	Wheels, number Front/Rear (x=drive wheels)	2X2						
	3.6	Tread, front	b ₁₀ (mm)	1190					
	3.7	Tread, rear	b ₁₁ (mm)	1130					
	DIMENSIONS	4.1	Tilt of mast/fork carriage, forward /backward	α / β (°)	6/12				
4.2		2LFL mast lowered	h ₁ (mm)	2250					
4.3		2LFL free lift - Bottom of forks	h ₂ (mm)	150					
4.4		2LFL lift - Bottom of forks	h ₃ (mm)	3000					
4.5		Height, mast extended	h ₄ (mm)	4260					
4.7		Height of overhead guard (high/low) ⁽¹⁾	h ₆ (mm)	2250 (2400)					
4.8		Seat height/stand height (SIP from ground - Standard)	h ₇ (mm)	1350					
4.12		Towing coupling height	h ₁₀ (mm)	340					
4.19		Overall length	l ₁ (mm)	4280					
4.20		Length to face of forks	l ₂ (mm)	3210					
4.21		Overall width, Standard / Dual	b ₁ / b ₂ (mm)	1490/1924					
4.22		Fork dimensions ISO2331	s/e/l (mm)	50/150/1070					
4.23		Fork carriage ISO 2328. Class/type, A/B		ISO 3A					
4.24		Fork carriage width	b ₃ (mm)	1380					
4.31		Ground clearance, laden, below mast	m ₁ (mm)	130					
4.32		Ground clearance, centre of wheelbase	m ₂ (mm)	186					
4.33		Load dimension b ₁₂ x l ₆ crossways	b ₁₂ x l ₆ (mm)	1000x1000					
4.34		Aisle width with predetermined load dimensions	Ast (mm)	4695					
4.34.1		Aisle width with pallets 1000mm x 1200mm crossways	Ast (mm)	4825					
4.34.2		Aisle width with pallets 800mm x 1200mm crossways	Ast (mm)	4825					
4.35	Outside turning radius	Wa (mm)	2850						
4.36	Internal turning radius	b ₁₃ (mm)	845						
PERFORMANCE	5.1	Travel speed laden/unladen - Shift 2	km/h	25/28			26/28		
	5.1.1	Travel speed laden/unladen - Shift 1	km/h	18/19					
	5.1.2	Travel speed, laden / unladen, backwards - Shift 1	km/h	21/22					
	5.2	Lifting speed, laden/unladen	mm/s	530/560					
	5.3	Lowering speed laden/unladen	mm/s	500/450					
	5.6	Maximum drawbar pull laden/unladen	N	31500/30000	33000/32000	31500/30000	33000/32000		
	5.7	Gradeability laden/unladen @ 4.8km/h	%	24/25	25/25	23/25			
	5.9	Acceleration time with/without load (S) 15m	sec	5.55(S1) / 5.19(S2)					
	5.9.1	Acceleration time with/without load (S) 15m	sec	4.52(S1) / 4.35(S2)					
	5.10	Service brake		Hydraulic					
ENGINE	7.1	Engine manufacturer/type		Kubota WG3800- GL-C	Kubota WG3800- L-C	Kubota WG3800- L-E5C	Kubota WG3800- GL-C	Kubota WG3800- L-C	Kubota WG3800- L-E5C
	7.2	Engine power	Kw	57.6	63.2		57.6	63.2	
	7.3	Rated speed	min-1	2400					
	7.4	Number of cylinders/displacement	-/cm ³	4/3769					
	7.5	Fuel consumption according to VDI cycle	l/h or kg/h	6.9kg/h	7.44kg/h		6.9kg/h	7.44kg/h	
	7.6	Turnover output	t/h	345t/h			345t/h		
	7.7	Energy consumption at turnover output	l/h or kg/h	8.46kg/h	8.52kg/h		8.46kg/h	8.52kg/h	
	7.8	Generator	A	100					
	7.9	Vehicle electrical system voltage	V	12					
	7.10	Battery voltage/nominal capacity	V/Ah	12/90					
OTHER	8.1	Type of drive unit	E-Hydraulic						
	10.1	Operating pressure for attachments	bar	195					
	10.2	Oil volume for attachments	l/min	70					
	10.4	Fuel tank capacity	L	100					
	10.7	Sound pressure at driver's ear OHG	dB (A)	83					
	10.7.1	Sound power level during the workcycle	dB (A)	107					
	10.8	Towing couple type		PIN					

(1) Height of low overhead guard (cabin): 2250mm; Height of high overhead guard (cabin): 2400mm

VDI 2198 – GENERAL SPECIFICATIONS – UX SERIES

			GLP 45UX		
			Dual	LPG	
GENERAL	1.1	Manufacturer			
	1.2	Model designation			
	1.3	Drive			
	1.3.1	CE Compliance / Emission Standard	Stage IIIA	Stage V	
	1.4	Operator type		Seat	
	1.5	Rated capacity/Rated load	Q (kg)	5000	
	1.6	Load centre distance	c (mm)	500	
	1.8	Load distance, centre of drive axle to fork	x (mm)	580	
	1.9	Wheelbase (with mast vertical)	y (mm)	2100	
WEIGHT	2.1	Service weight	kg	7010	
	2.2	Axle loading, laden front	kg	10810	
	2.2.1	Axle loading, laden rear	kg	1200	
	2.3	Axle loading, unladen front	kg	3160	
	2.3.1	Axle loading, unladen rear	kg	3850	
TYRES	3.1	Tyres, front/rear		Superelastic	
	3.2	Tyre size, front		300-15NHS	
	3.3	Tyre size, rear		7.00-12NHS	
	3.5	Wheels, number Front/Rear (x=drive wheels)		2X2	
	3.6	Tread, front	b ₁₀ (mm)	1190	
	3.7	Tread, rear	b ₁₁ (mm)	1130	
	DIMENSIONS	4.1	Tilt of mast/fork carriage, forward /backward	α / β (°)	6/12
4.2		2LFL mast lowered	h ₁ (mm)	2250	
4.3		2LFL free lift - Bottom of forks	h ₂ (mm)	155	
4.4		2LFL lift - Bottom of forks	h ₃ (mm)	3000	
4.5		Height, mast extended	h ₄ (mm)	4260	
4.7		Height of overhead guard (high/low) ⁽¹⁾	h ₆ (mm)	2250 (2400)	
4.8		Seat height/stand height (SIP from ground - Standard)	h ₇ (mm)	1350	
4.12		Towing coupling height	h ₁₀ (mm)	340	
4.19		Overall length	l ₁ (mm)	4345	
4.20		Length to face of forks	l ₂ (mm)	3275	
4.21		Overall width, Standard / Dual	b ₁ / b ₂ (mm)	1490/1924	
4.22		Fork dimensions ISO2331	s/e/l (mm)	55/150/1070	
4.23		Fork carriage ISO 2328. Class/type, A/B		ISO 3A	
4.24		Fork carriage width	b ₃ (mm)	1380	
4.31		Ground clearance, laden, below mast	m ₁ (mm)	130	
4.32		Ground clearance, centre of wheelbase	m ₂ (mm)	186	
4.33		Load dimension b ₁₂ x l ₆ crossways	b ₁₂ x l ₆ (mm)	1000x1000	
4.34		Aisle width with predetermined load dimensions	Ast (mm)	4755	
4.34.1		Aisle width with pallets 1000mm x 1200mm crossways	Ast (mm)	4885	
4.34.2		Aisle width with pallets 800mm x 1200mm crossways	Ast (mm)	4885	
4.35	Outside turning radius	Wa (mm)	2905		
4.36	Internal turning radius	b ₁₃ (mm)	845		
PERFORMANCE	5.1	Travel speed laden/unladen - Shift 2	km/h	25/28	26/28
	5.1.1	Travel speed laden/unladen - Shift 1	km/h		18/19
	5.1.2	Travel speed, laden / unladen, backwards - Shift 1	km/h		21/22
	5.2	Lifting speed, laden/unladen	mm/s		530/560
	5.3	Lowering speed laden/unladen	mm/s		500/450
	5.6	Maximum drawbar pull laden/unladen	N	31500/30000	33000/32000
	5.7	Gradeability laden/unladen @ 4.8km/h	%	21/25	20/25
	5.9	Acceleration time with/without load (S) 15m	sec		5.55(S1) / 5.19(S2)
	5.9.1	Acceleration time with/without load (S) 15m	sec		4.52(S1) / 4.35(S2)
	5.10	Service brake			Hydraulic
ENGINE	7.1	Engine manufacturer/type		Kubota WG3800-GL-C	Kubota WG3800-L-C Kubota WG3800-L-E5C
	7.2	Engine power	Kw	57.6	63.2
	7.3	Rated speed	min-1		2400
	7.4	Number of cylinders/displacement	-/cm ³		4/3769
	7.5	Fuel consumption according to VDI cycle	l/h or kg/h	6.9kg/h	7.44kg/h
	7.6	Turnover output	t/h		345t/h
	7.7	Energy consumption at turnover output	l/h or kg/h	8.46kg/h	8.52kg/h
	7.8	Generator	A		100
	7.9	Vehicle electrical system voltage	V		12
	7.10	Battery voltage/nominal capacity	V/Ah		12/90
OTHER	8.1	Type of drive unit		E-Hydraulic	
	10.1	Operating pressure for attachments	bar	195	
	10.2	Oil volume for attachments	l/min	70	
	10.4	Fuel tank capacity	L	100	
	10.7	Sound pressure at driver's ear OHG	dB (A)	83	
	10.7.1	Sound power level during the workcycle	dB (A)	107	
	10.8	Towing couple type		PIN	

All values are nominal values and they are subject to tolerances.

MAST DIMENSIONS – GDP/GLP 40-50UX

Max. Fork Lift (h ₃ +s) (mm)	Overall Extended Height						Free Lift h ₂ + s				Mast Tilt	
	Lowered Height h ₁		Extended Lift Height h ₄				Without Load Backrest		With Load Backrest			
			Without Load Backrest		With Load Backrest		4.0-4.5t (mm)	5.0t (mm)	4.0-4.5t (mm)	5.0t (mm)	Forward (°)	Back (°)
2-Stage Limited Free-Lift (LFL) Mast												
3000	2250	2250	3855	3855	4260	4260	150	155	150	155	6	12
3300	2400	2400	4155	4155	4560	4560	150	155	150	155	6	12
3500	2500	2500	4355	4355	4760	4760	150	155	150	155	6	12
3700	2600	2600	4605	4605	5010	5010	150	155	150	155	6	12
4000	2800	2800	4855	4855	5260	5260	150	155	150	155	6	12
4500	3050	3050	5355	5355	5760	5760	150	155	150	155	6	6
5000	3300	3300	5855	5855	6260	6260	150	155	150	155	6	6
5500	3600	3600	6355	6355	6760	6760	150	155	150	155	3	6
6000	3850	3850	6855	6855	7260	7260	150	155	150	155	3	6
2-Stage Full Free-Lift (FFL) Mast												
3000	2250	2250	3855	3855	4250	4250	1425	1430	1030		6	12
3300	2400	2400	4155	4155	4550	4550	1575	1580	1180		6	12
3500	2500	2500	4355	4355	4750	4750	1675	1680	1280		6	12
3750	2625	2625	4605	4605	5000	5000	1800	1805	1405		6	12
4000	2800	2800	4855	4855	5250	5250	1975	1980	1580		6	12
3-Stage Full Free-Lift (FFL) Mast												
4000	2110	2110	4880	4880	5265	5265	1275	1280	885		6	6
4350	2235	2235	5230	5230	5615	5615	1395	1400	1010		6	6
4500	2285	2285	5385	5385	5770	5770	1450	1455	1060		6	6
4800	2385	2385	5680	5680	6070	6070	1545	1550	1160		6	6
5000	2485	2485	5880	5880	6265	6265	1645	1650	1260		6	6
5400	2610	2610	6280	6280	6660	6660	1770	1775	1385		3	6
6000	2850	2850	6875	6875	7260	7260	2010	2015	1625		3	6
6500	3050	3050	7375	7375	7760	7760	2210	2215	1825		3	6

MAST DIMENSIONS – GDP/GLP 40-50UX

Max. Fork Lift (h ₃ +s) (mm)	Capacities (kg) @ 500mm Load Centre																	
	Load capacity without Sideshift						Load capacity with ISS Carriage						Load capacity with ISS Carriage and Fork Positioner					
	Front Single Tyre			Front Dual Tyres			Front Single Tyre			Front Dual Tyres			Front Single Tyre			Front Dual Tyres		
	4.0t (kg)	4.5t (kg)	5.0t (kg)	4.0t (kg)	4.5t (kg)	5.0t (kg)	4.0t (kg)	4.5t (kg)	5.0t (kg)	4.0t (kg)	4.5t (kg)	5.0t (kg)	4.0t (kg)	4.5t (kg)	5.0t (kg)	4.0t (kg)	4.5t (kg)	5.0t (kg)
2-Stage Limited Free-Lift (LFL) Mast																		
3000	4000	4500	5000	4000	4500	5000	3850	4350	4850	3850	4350	4850	3800	4300	4800	3800	4300	4800
3300	4000	4500	5000	4000	4500	5000	3850	4350	4850	3850	4350	4850	3800	4300	4800	3800	4300	4800
3500	4000	4500	5000	4000	4500	5000	3850	4350	4850	3850	4350	4850	3800	4300	4800	3800	4300	4800
3700	4000	4500	5000	4000	4500	5000	3850	4350	4850	3850	4350	4850	3800	4300	4800	3800	4300	4800
4000	3800	4250	4750	4000	4500	5000	3650	4100	4600	3850	4350	4850	3600	4050	4550	3800	4300	4800
4500	3400	3800	4250	3600	4050	4550	3250	3650	4100	3450	3900	4400	3200	3600	4050	3400	3850	4350
5000	2800	3150	3500	3000	3400	3750	2650	3000	3350	2850	3250	3600	2600	2950	3300	2800	3200	3550
5500	2250	2800	2850	2800	3100	3350	2100	2650	2700	2650	2950	3200	2050	2600	2650	2600	2900	3150
6000	1950	2500	2550	2600	2800	2950	1800	2350	2400	2450	2650	2800	1750	2300	2350	2400	2600	2750
2-Stage Full Free-Lift (FFL) Mast																		
3000	4000	4500	5000	4000	4500	5000	3850	4350	4850	3850	4350	4850	3800	4300	4800	3800	4300	4800
3300	4000	4500	5000	4000	4500	5000	3850	4350	4850	3850	4350	4850	3800	4300	4800	3800	4300	4800
3500	4000	4500	5000	4000	4500	5000	3850	4350	4850	3850	4350	4850	3800	4300	4800	3800	4300	4800
3750	4000	4500	5000	4000	4500	5000	3850	4350	4850	3850	4350	4850	3800	4300	4800	3800	4300	4800
4000	3800	4250	4750	4000	4500	5000	3650	4100	4600	3850	4350	4850	3600	4050	4550	3800	4300	4800
3-Stage Full Free-Lift (FFL) Mast																		
4000	3600	4000	4500	3800	4250	4750	3450	3850	4350	3650	4100	4600	3400	3800	4300	3600	4050	4550
4350	3400	3800	4250	3600	4050	4500	3250	3650	4100	3450	3900	4350	3200	3600	4050	3400	3850	4300
4500	3200	3600	4000	3400	3850	4250	3050	3450	3850	3250	3700	4100	3000	3400	3800	3200	3650	4050
4800	3000	3350	3750	3200	3600	4000	2850	3200	3600	3050	3450	3850	2800	3150	3550	3000	3400	3800
5000	2700	3050	3400	2900	3300	3650	2550	2900	3250	2750	3150	3500	2500	2850	3200	2700	3100	3450
5400	2250	2550	2850	2800	3100	3350	2100	2400	2700	2650	2950	3200	2050	2350	2650	2600	2900	3150
6000	1700	1950	2200	2600	2800	2950	1550	1800	2050	2450	2650	2800	1500	1750	2000	2400	2600	2750
6500	1200	1500	1700	2400	2500	2650	1050	1350	1550	2250	2350	2500	1000	1300	1500	2200	2300	2450

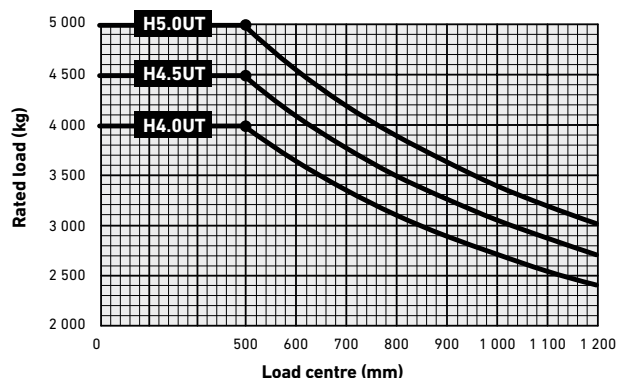
ENGINE SPECIFICATIONS – UX SERIES

Engine	Mitsubishi 5.0L Diesel	Kubota 3.8L Diesel V3800-CR-TE5CB	Kubota 3.8L Dual Fuel	Kubota 3.8L LPG WG3800-L-E5C	Kubota 3.8L LPG
CE Compliance / Emission Standard	Stage IIIA	Stage V	Stage IIIA	Stage V	Stage IIIA
Cylinders	6 cylinder overhead valve	4	4 cylinder overhead valve	4	4 cylinder overhead valve
Displacement	4.996 litre	3.769 litre	3.769 litre	3.769 litre	3.769 litre
Torque	250Nm @ 1,600rpm	310Nm @ 1,500rpm	300Nm @ 1,200rpm	300Nm @ 1,200rpm	300Nm @ 1,200rpm
Power	52kW @ 2,300rpm	55.4kW	57.6kW @ 2,400rpm	63.2kW	63.2kW @ 2,400rpm
Air filtration	Air filtration two-stage, dry type	Two stage, dry type, paper element filter	Air filtration two-stage, dry type	Air filtration two-stage, dry type	Air filtration two-stage, dry type
Fuel injection	IDI fuel injection system	Common rail system	-	-	-

FEATURES LIST – UX SERIES

	STD	OPT
Tilt cylinders - protection gaters fitted	●	
Audible reverse alarm	●	
Non-Suspension seat	●	
Full-suspension seat / Operator presence system		●
Counterweight exhaust	●	
Load backrest	●	
2 function manual hydraulic levers	●	
Tilt movement is mast dependent	●	
Mast tilt 6° Forward / 6° Back or 3° Forward / 6° Back		●
2-stage LFL & 3-stage FFL masts 3000-6500mm lift heights		●
Carriages for 4-5 ton: 1245, 1380, 1428, 1600, 1700 and 1800mm (class III) (on 4-5 ton spec sheet)		●
Fork lengths 1220-2440mm 4-5 ton		●
Integral Sideshift		●
Lights:	●	
2 x front work lights	●	
2 x front turn lights	●	
2 x rear turn, stop, brake, reverse lights	●	
Low / high magnetic mounted strobe	●	
Rear working light		●
Direction lever	●	
Monotrol		●
Operator manual	●	
Pneumatic tyres		●
Superelastic tyres	●	
Range of cabins to suit all applications		●
3-Pedal layout (+ mechanical inching)	●	
Radiator with transmission oil cooler	●	
Cyclonic Air filter	●	
Manual park brake	●	
Adjustable steer column	●	
Air Intake with Pre-cleaner		●
Retractable seatbelt	●	
Entry Grab handle	●	
Key switch start	●	
Viewing mirrors	●	
Top glass screen available with guard		●
Power steering	●	
Steering wheel with spinner knob	●	
Toolbox	●	
Fuel gauge	●	
Upswept exhaust		●
Towing pin	●	
Twin USB charge points	●	
Standard warranty 12 month / 2000 hours	●	
Hot ambient (-10 Degrees C to 50 Degrees C) for unregulated Diesel Mitsubishi only		●
Valve and hose groups – 3 or 4 way		●
Clamping function available		●
Mitsubishi S6S Diesel Tier IIIA	●	
Kubota WG3800 3.8L LPG / Dual Fuel Tier IIIA		●
Kubota V3800 3.8L Diesel stage V	●	
Kubota WG3800 3.8L LPG stage V		●
LPG fixed bracket with twin metallic straps and locating pin	●	
Rear drive handle with horn button		●

RATED CAPACITIES – UX SERIES



Rated load – based on vertical mast (≤3000mm lift height).

Load centre – distance from front of forks to centre of gravity of load.

All values are nominal values and they are subject to tolerances.







About Yale®

Yale Materials Handling Corporation is one of the oldest manufacturers of lift trucks in the world. We've been in the business of lifting since 1875 and we apply that experience to help customers solve materials handling challenges. Our full line of lift trucks range in capacity from 1 to 16 tonne and are powered by internal combustion engines or electric options. Yale also offers robotic solutions, telemetry, fleet management, parts, financing and training. From traditional lift truck equipment to emerging technologies, our goal, every day, is to work with our nationwide dealer network to continually improve and provide the solutions you need, when and how you need them.

MATERIALS HANDLING FOR:

- 3PL
- Auto Parts
- Beverage
- Cold & Frozen Foods
- Food Distribution
- Food Processing
- Furniture & Furnishings
- Health & Pharma
- Home Centres
- Retail
- E-Commerce

Yale Lift Truck Technologies


Centennial House
Frimley Business Park
Frimley
Surrey
GU16 7SG
United Kingdom

www.yale.com



Safety: All Yale products sold into EU countries, UK, and Turkey conform to the EU requirements of Machinery Directive 2006/42/EC and contain **CE** marking. Yale trucks sold into other countries may be ordered for production in conformance with Machinery Directive requirements, and when so ordered will contain **CE** marking.

HYSTER-YALE UK LIMITED trading as Yale Lift Truck Technologies. Registered Address: Centennial House, Building 4.5, Frimley Business Park, Frimley, Surrey, GU16 7SG, United Kingdom. Registered in England and Wales. Company Registration Number: 02636775.

©2023 Hyster-Yale Group, Inc., all rights reserved. YALE and YALE  are trademarks of Hyster-Yale Group, Inc. Trucks may be shown with optional equipment and/or features not available in all regions. Truck performance may be affected by the condition of the vehicle, how it is equipped and the application. Specifications are subject to change without notice.

Notice: Care must be exercised when handling elevated loads. Operators must be trained and must read, understand and follow the instructions contained in the Operating Manual. Consult your Yale® Dealer if any of the information shown is critical to your application.

Publication part no. 220991940 Rev.00 (0423DMS) EN