



MC10-15

SPEC SHEET

1,000 - 1,500 kg

MC Series

Counterbalanced
Stacker

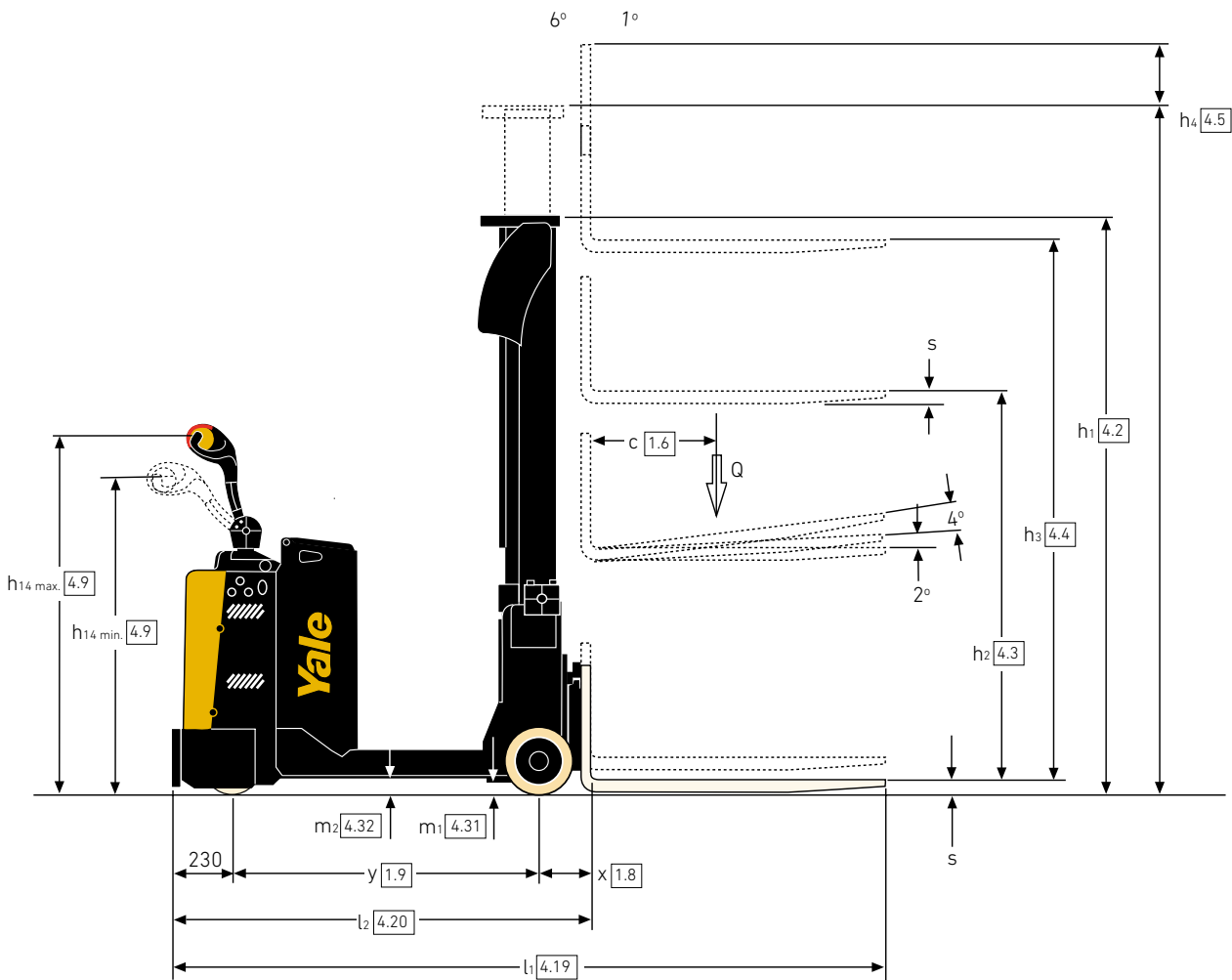
TRUCK DIMENSIONS – MC SERIES

$$Ast = Wa + R + a$$

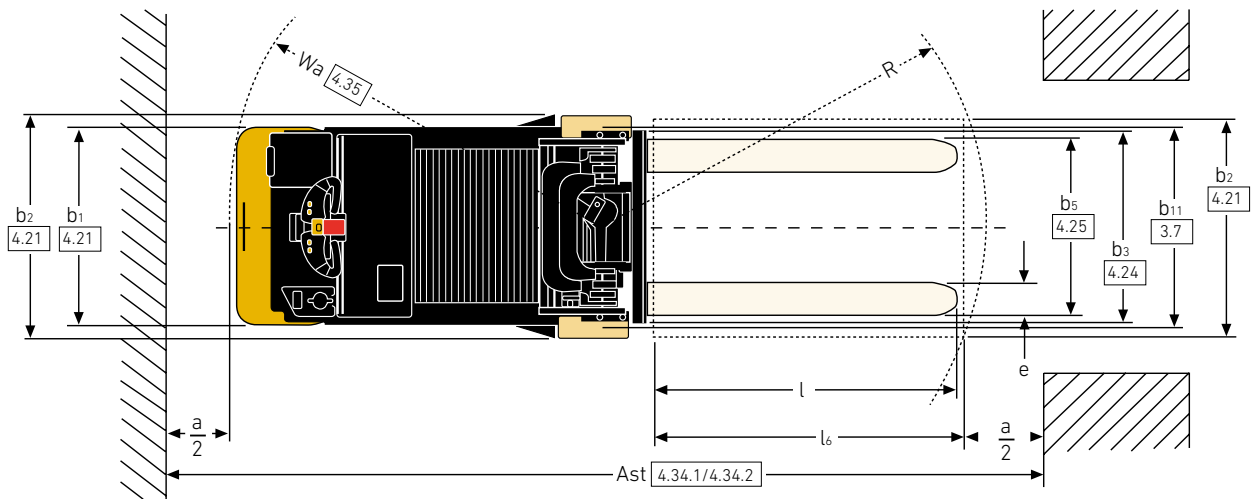
$$R = \sqrt{(l_6 + x)^2 + \frac{(b_{12})^2}{2}}$$

a = 200mm

l₆ = Load length



TRUCK DIMENSIONS – MC SERIES



VDI 2198 – GENERAL SPECIFICATIONS – MC SERIES

		VDI 2198 – GENERAL SPECIFICATIONS – MC SERIES			
GENERAL	1.1	Manufacturer	Yale		
	1.2	Model designation	MC10	MC12	MC15
	1.3	Drive	Battery		
	1.4	Operator type	Pedestrian		
	1.5	Rated capacity/Rated load	Q (t)	1.0	1.2
	1.6	Load centre distance	c (mm)	500	
	1.8	Load distance, centre of drive axle to fork	x (mm)	211	
	1.9	Wheelbase	y (mm)	1300	1450
				1600	
WEIGHT	2.1	Service weight ⁽¹⁾	kg	2180	2280
	2.2	Axle loading, laden front/rear	kg	520 / 2660	545 / 2935
	2.3	Axle loading, unladen front/rear	kg	1175 / 1005	1290 / 990
				1420 / 940	
TYRES	3.1	Tyres front/rear	NDIIThane		
	3.2	Tyre size, front	ø (mm x mm)	254 x 125	
	3.3	Tyre size, rear	ø (mm x mm)	200 x 100	
	3.5	Wheels, number front/rear (x = driven wheels)		1x/2	
	3.7	Tread, rear	b ₁₁ (mm)	837	
DIMENSIONS	4.2	Height, mast lowered ⁽²⁾	h ₁ (mm)	2325	
	4.3	Free lift	h ₂ (mm)	100	
	4.4	Lift	h ₃ (mm)	3372	
	4.5	Height, mast extended ⁽³⁾	h ₄ (mm)	3961	
	4.7	Height of overhead guard (cabin)	h ₆ (mm)	2312	
	4.9	Height drawbar in driving position min./max. ⁽⁴⁾	h ₁₄ (mm)	1180 / 1485	
	4.15	Height, lowered	h ₁₃ (mm)	55	
	4.19	Overall length	l ₁ (mm)	2742	2892
					3042
	4.20	Length to face of forks	l ₂ (mm)	1742	1892
					2042
	4.21	Overall width	b ₁ /b ₂ (mm)	788 / 939	
	4.22	Fork dimensions DIN ISO 2331 ⁽⁵⁾	s/e/l (mm)	35 / 100 / 1000	
	4.24	Fork carriage width	b ₃ (mm)	700	
	4.25	Forks spread	b ₅ (mm)	240 / 672	
	4.31	Ground clearance, laden, below mast	m ₁ (mm)	59	
	4.32	Ground clearance, centre of wheelbase	m ₂ (mm)	76	
4.33	Load dimension b ₁₂ x l ₆	b ₁₂ x l ₆ (mm)	800 x 1200		
4.34.1	Aisle width for pallets 1000mm x 1200mm crossways	A _{st} (mm)	3111	3258	
				3406	
4.34.2	Aisle width for pallets 800mm x 1200mm lengthwise	A _{st} (mm)	3227	3374	
				3522	
4.35	Turning radius	W _a (mm)	1560	1707	
				1855	
PERFORMANCE	5.1	Travel speed, laden/unladen	km/h	6 / 6	
	5.1.1	Travel speed, laden/unladen, backwards	km/h	6 / 6	
	5.2	Lift speed, laden/unladen	m/s	0,18 / 0,27	0,14 / 0,27
					0,13 / 0,27
	5.3	Lowering speed, laden/unladen	m/s	0,33 / 0,27	
	5.8	Max. gradeability, laden/unladen	%	11 / 11	10 / 10
				9 / 9	
5.10	Service brake		Electric / Electromagnetic		
ELECTRIC	6.1	Drive motor rating S2 60 min	kW	4	
	6.2	Lift motor rating at S3 15% ⁽⁶⁾	kW	3	
	6.3	Battery according to DIN 43531/35/36 A,B,C, no		no	
	6.4	Battery voltage/nominal capacity K5	V/Ah	24 / 300 ^{(4) (7)}	24 / 400 ⁽⁸⁾
	6.5	Battery weight ⁽³⁾	kg	233	303
	6.6	Energy consumption according to DIN EN 16796	kWh/h	1,53	1,97
					2,4
	6.7	Turnover output according to VDI 2198	t/h	38	45,6
				57	
6.8	Turnover efficiency according to VDI 2198	t/kWh	31		
8.1	Type of drive unit		AC-Controller		
10.7	Sound pressure level at the driver's seat	dB (A)	< 70		

(1) These values may vary of +/- 5%

(2) With free lift of 100mm (2 stage LFL only)

(3) With load backrest for carriage h₄ + 461mm

(4) Available battery 24V / 400Ah (303kg)

(5) Option 35/100/1200

(6) Value referred to S3 10%

(7) Available Li-Ion battery 24V / 180Ah (208kg + ballast 24 kg); Li-Ion battery 24V / 240Ah (214kg + ballast 24kg)

(8) Available Li-Ion battery 24V / 180Ah (208kg + ballast 86kg); Li-Ion battery 24V / 240Ah (214kg + ballast 86kg)

MAST DIMENSIONS – MC SERIES

Height, mast lowered h ₁ ⁽¹⁾ (mm)	Free lift h ₂ (mm)	Lift height h ₃ (mm)	Height, mast extended h ₄ ⁽²⁾ (mm)	Height, overhead guard h ₅ (mm)	Weight ⁽³⁾ (kg)
2-Stage LFL					
1925	100	2572	3161	-	595
2125	100	2972	3561	2262	618
2325	100	3372	3961	2312	640
2475	100	3672	4261	2412	657
2675	100	4072	4661	2612	691
3-Stage FFL					
1875	1305	3876	4451	-	725
1975	1405	4176	4751	-	740
2125	1555	4626	5201	2312	765
2275	1705	5076	5651	2312	792

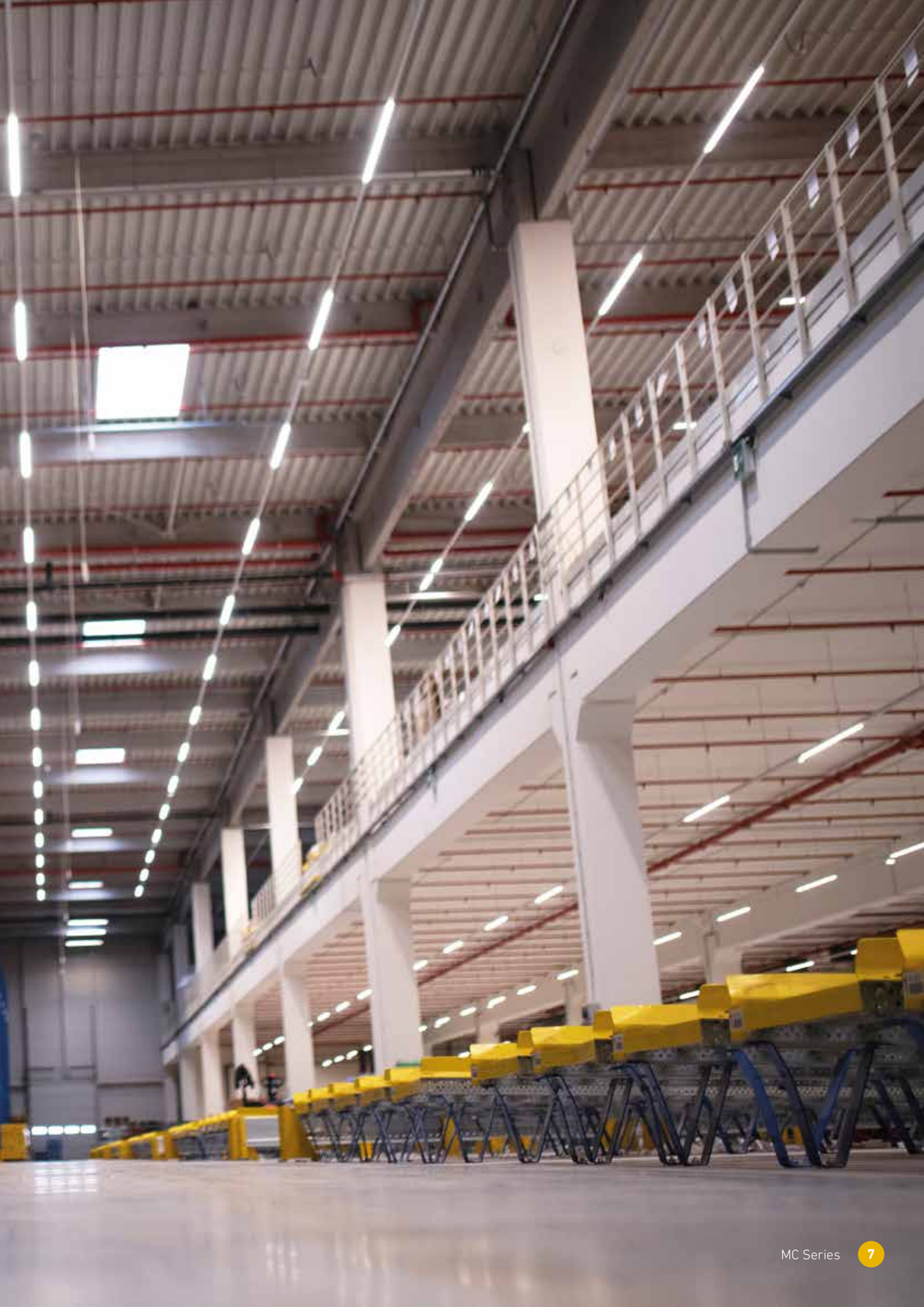
- (1) With free lift of 100mm
 (2) With load backrest for carriage h₄ + 461mm
 (3) All weights are: mast structures (weldment, cylinders, chain, pulley) + oil.
 EXCLUDED: forks, accessories

FEATURES LIST – MC SERIES

CONSTRUCTION	STD	OPT	LIGHTS & ALARMS	STD	OPT
Key Switch Start	●		Blue Pedestrian Awareness Light (P.A.L.) - Forward Activation (Forks Trailing)		●
Keyless Start with Operator Password		●	TELEMETRY	STD	OPT
Standard Construction	●		Yale Vision Wireless Monitoring with Cellular connectivity		●
Cold Store Construction (-30 °C)		●	Yale Vision Wireless Access HID Prox Card Reader		●
BATTERY COMPARTMENT	STD	OPT	Yale Vision Wireless Access iClass MiFare Prox Card Reader		●
Battery Removal without Rollers - Lift Out	●		Yale Vision Wireless Access ISO Prox Card Reader		●
CARRIAGES & ATTACHMENTS	STD	OPT	Yale Vision Wireless Verification		●
Without Load Backrest	●				
781mm High Load Backrest		●			
DRIVE WHEELS	STD	OPT			
NDIltthane	●				
Wet Grip		●			
NDIltthane Conductive		●			
OPERATOR COMPARTMENT	STD	OPT			
Clip Board		●			

All values are nominal values and they are subject to tolerances.







About Yale®

Yale Lift Truck Technologies leverages over a century of material handling experience and substantial investment in innovation to bring the most advanced technology-driven lift truck solutions to market. The company offers a full line of award-winning lift trucks, including reach trucks, order pickers, turret trucks, pallet jacks and trucks, pallet stackers, tow tractors and counterbalanced forklifts, as well as powerful operator assist solutions, proven robotics and a wide range of power sources to help customers adapt to today's demanding supply chain. Yale and its independent dealer network support these solutions with comprehensive after-sales service, parts, financing and training.

Yale Lift Truck Technologies is a trading name of Hyster-Yale Asia-Pacific Pty Ltd., a wholly owned subsidiary of Hyster-Yale Materials Handling, Inc.(NYSE:HY) which is headquartered in Cleveland, Ohio and operates globally.

MATERIALS HANDLING FOR:

Third-party logistics (3PL)

Auto parts distribution

Beverage

Cold & frozen foods

Food distribution

Food processing

Furniture & furnishings

Government

Health & pharma


Home centers

Retail & e-commerce

Yale Lift Truck Technologies | Pacific
1/23 Rowood Road
Prospect NSW 2148

Yale Lift Truck Technologies | Asia
16 Tuas Avenue 20
Singapore 638827

yale.com

© 2023 Hyster-Yale Group, Inc., all rights reserved. YALE and  are trademarks of Hyster-Yale Group, Inc. Trucks may be shown with optional equipment and/or features not available in all regions. Specifications and details in this brochure are subject to change without prior notification.