



MS20XD

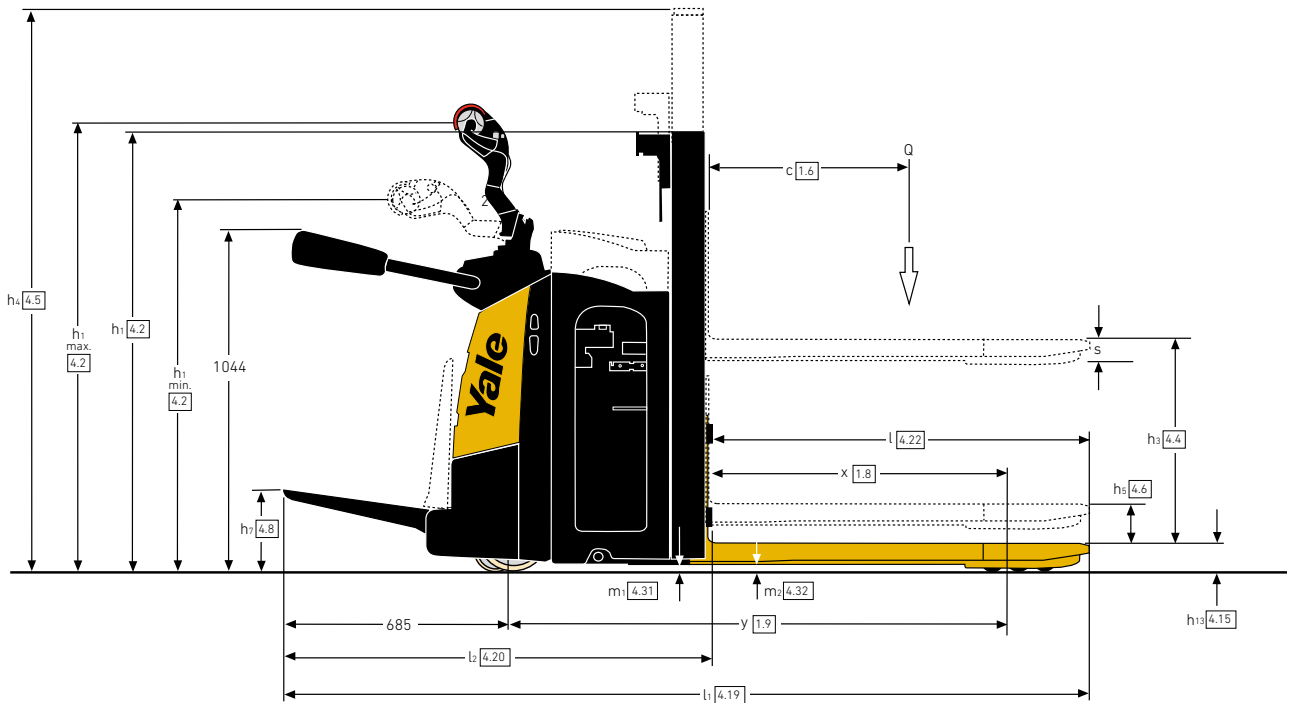
SPEC SHEET

2,000 kg

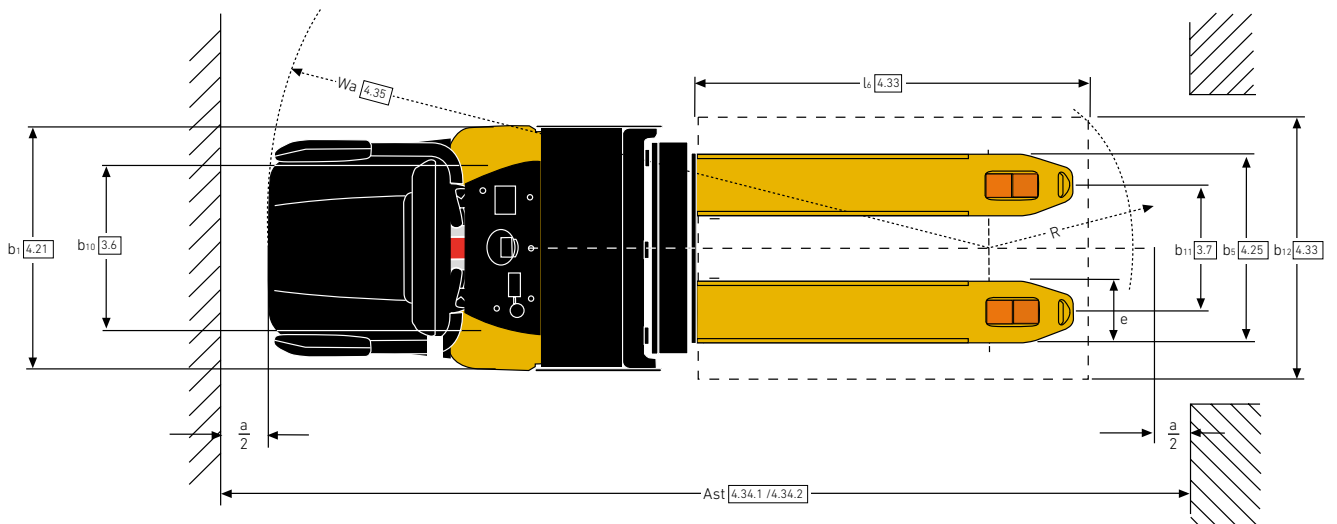
MS20XD

Double Stacker
With Platform

TRUCK DIMENSIONS – MS20XD



TRUCK DIMENSIONS – MS20XD



VDI 2198 – GENERAL SPECIFICATIONS – MS20XD

		Yale			
		MS20XD	MS20XD Platform with side protection	MS20XD Platform with rear protection	
GENERAL	1.1	Manufacturer			
	1.2	Model designation			
	1.3	Drive	Electric (battery)		
	1.4	Operator type	Pedestrian/Standing	Standing	
	1.5	Rated capacity/Rated load	Q (t) 2.0		
	1.6	Load centre distance	c (mm) 600		
	1.8	Load distance, centre of drive axle to fork ⁽¹⁾	x (mm) 963		
	1.9	Wheelbase ^{(1) (2)}	y (mm) 1585	1657	
	WEIGHT	2.1	Service weight ^{(2) (3)}	kg 1000	1140
2.2		Axle loading laden, front/rear	kg 1080 / 1920	1910 / 1230	1900 / 1225
2.3		Axle loading unladen, front/rear	kg 760 / 255	270 / 870	260 / 865
TYRES	3.1	Tyres front/rear	NDIIThane		
	3.2	Tyre size, front	ø (mm) 254 x 90 ⁽⁴⁾	85 x 70 ⁽⁵⁾	
	3.3	Tyre size, rear	ø (mm) 85 x 70 ⁽⁴⁾⁽⁵⁾	254 x 90	
	3.4	Additional wheels (dimensions)	ø (mm) 125 x 50		
	3.5	Wheels, number front/rear (x = driven wheels)	1x +2 / 4 ⁽⁴⁾	4 / 1 x +2	
	3.6	Tread, front	b ₁₀ (mm) 504 ⁽⁴⁾	382	
	3.7	Tread, rear	b ₁₁ (mm) 382 ⁽⁴⁾	504	
DIMENSIONS	4.2	Height, mast lowered	h ₁ (mm) 1346		
	4.3	Free lift	h ₂ (mm) 100		
	4.4	Lift	h ₃ (mm) 1574		
	4.5	Height, mast extended	h ₄ (mm) 2133		
	4.6	Initial lift	h ₅ (mm) 120		
	4.9	Height drawbar in driving position min./max.	h ₁₄ (mm) 1150 / 1383	1198 / 1288	1198 / 1288
	4.15	Height, lowered	h ₁₃ (mm) 90		
	4.19	Overall length (pedestrian) ⁽²⁾	l ₁ (mm) 2030	-	
	4.19.1	Overall length (standing) ⁽²⁾	l ₁ (mm) 2463	2532	2629
	4.20	Length to face of forks (pedestrian) ⁽²⁾	l ₂ (mm) 880	-	
	4.20.1	Length to face of forks (standing) ⁽²⁾	l ₂ (mm) 1313	1382	1479
	4.21	Overall width	b ₁ / b ₂ (mm) 750		
	4.22	Fork dimensions	s/e/l (mm) 55 / 185 / 1150		
	4.25	Forks spread	b ₅ (mm) 570		
	4.31	Ground clearance, laden, below mast	m ₁ (mm) 19		
	4.32	Ground clearance, center of wheelbase	m ₂ (mm) 19		
	4.33	Load dimension b ₁₂ x l ₆	b ₁₂ x l ₆ (mm) 1000 x 1200		
	4.34	Aisle width for pallets 1000mm x 1200mm crossways (pedestrian) ^{(2) (6)}	Ast ₂ (mm) 2606	-	
	4.34.1	Aisle width for pallets 1000mm x 1200mm crossways (standing) ^{(2) (6)}	Ast ₁ (mm) 3022	3083	3184
	4.34.2	Aisle width for pallets 800mm x 1200mm lengthwise (pedestrian) ^{(2) (6)}	Ast ₂ (mm) 2499	-	
4.34.3	Aisle width for pallets 800mm x 1200mm lengthwise (standing) ^{(2) (6)}	Ast ₁ (mm) 2915	2976	3077	
4.35	Turning radius (pedestrian) ^{(1) (2)}	W _{a2} (mm) 1864			
4.35.1	Turning radius (standing) ^{(1) (2)}	W _{a1} (mm) 2280	2341	2442	
PERFORMANCE	5.1	Travel speed, laden/unladen (pedestrian)	km/h 6 / 6		
	5.1.1	Travel speed, laden/unladen (standing)	km/h 9 / 10		
	5.1.2	Travel speed, laden/unladen, backwards (pedestrian)	km/h 6 / 6		
	5.1.3	Travel speed, laden/unladen, backwards (standing)	km/h 9 / 10		
	5.2	Lift speed, laden/unladen	m/s 0.15 / 0.31		
	5.3	Lowering speed, laden/unladen	m/s 0.40 / 0.34		
	5.7	Gradeability, laden/unladen	% 1.0 / 6.7		
	5.8	Max. gradeability, laden/unladen ⁽⁷⁾	% 9.1 / 30.2		
	5.10	Service brake	Electromagnetic		
	ELECTRIC	6.1	Drive motor rating S2 60 min	kW 3	
6.2		Lift motor rating at S3 15% ⁽⁸⁾	kW 2.2		
6.3		Battery according to DIN 43531 / 35 / 36 A,B,C, no	B		
6.4		Battery voltage/nominal capacity K5 ⁽²⁾	V/Ah 24V / 250Ah	24V / 375Ah	
6.5		Battery weight ^{(2) (3)}	kg 212	288	
6.6		Energy consumption according to DIN EN 16976	kWh/h 1.5		
6.7		Turnover output according to VDI 2198	t/h 45		
6.8		Turnover efficiency according to VDI 2198	t/kWh 30		
8.1	Type of drive unit	AC-Controller			
10.7	Sound pressure level at the driver's seat	dB (A) 66			

(1) With load section lifted: -67mm

(2) See "Battery table"

(3) These values may vary of +/- 5%

(4) Pedestrian version. For Stand-on version, front/rear are inverted

(5) Available 85 x 110mm tyre with single roller

(6) Forks raised - Ast = Wa + R + a Wa and R with forks raised

(7) If truck climbs ramps frequently (within 1h), consult your salesman

(8) Value referred to S3 5%

MAST DIMENSIONS – MS20XD

Lift height h_3 (mm)	Free lift h_2 (mm)	Height, mast lowered h_1 ⁽¹⁾ (mm)	Height, mast extended h_4 ⁽²⁾ (mm)	Weight ⁽³⁾ (kg)
1574	100	1346	2133	163
2020	100	1570	2536	177
2980	100	2050	3496	213

(1) With free lift of 100mm and initial lift lowered

(2) With load backrest ($h=1000$) for carriage $h_4 + 562$ mm (2 stage mast), + 524mm (3 stage mast), + 518mm (2 ton. mast)

(3) All weights are: mast structures (weldment, cylinders, chain, pulley) + oil.
EXCLUDED: forks, accessories

FEATURES LIST – MS20XD

	STD	OPT		STD	OPT
Key switch start	●		Multifunctional display	●	
Key switch start with operator password		●	Tiller - fixed height ⁽¹⁾	●	
Standard construction	●		Tiller - adjusted height ⁽¹⁾		●
Cold Store construction (-30°)		●	Scooter control ⁽²⁾	●	
624 x 284 x 627mm for 315/375 Ah battery	●		A4 clip board		●
624 x 212 x 627mm for 210/250 Ah battery		●	Bottle holder		●
Side extraction (using rollers)	●		Foot sensor ⁽³⁾		●
Side extraction (for li-ion batteries)		●	Multipurpose bar		●
Mast lift height 1574mm (1346mm lowered height)	●		Multipurpose bar across		●
Mast lift height 2020mm (1570mm lowered height)		●	Multipurpose clamp 1PC		●
Mast lift height 2980mm (2050mm lowered height)		●	Multipurpose clamp 2PC		●
Forks 55 x 570 x 1150mm	●		12V DC/DC converter		●
570mm carriage	●		24V DC/DC converter		●
1000mm high load backrest		●	Manual work light		●
Lexan mast guard	●		Automated work light		●
Wire mesh mast guard		●	Blue LED spotlight		●
254 x 90mm NDIlthane drive wheels	●		Platform lights ⁽²⁾		●
254 x 90mm Dynaroll drive wheels		●	Forward alarm (forks trailing)		●
254 x 90mm Redthane drive wheels		●	Reverse alarm (forks leading)		●
254 x 90mm NDIlthane conductive drive wheels		●	Forward / Reverse alarm		●
85 x 70mm tandem NDIlthane load wheels	●		Lead acid battery options		●
85 x 100mm single NDIlthane load wheels		●	Lithium-ion battery options		●
Standard platform with side arms	●		Yale Vision		●
Standard platform without side arms		●	24 months / 2,000 hours standard warranty	●	
Standard platform with rear protection		●	36 months / 3,000 hours extended warranty		●
Standard platform with side protection		●			

(1) For Standard Platform with Side Arms only

(2) For Standard Platform with Rear and Side Protection only

(3) For Standard Platform with Side Protection only

All values are nominal values and they are subject to tolerances.





VIETATO FUMARE

www.ognibene.com



About Yale®

Yale Materials Handling Corporation is one of the oldest manufacturers of lift trucks in the world. We've been in the business of lifting since 1875 and we apply that experience to help customers solve materials handling challenges. Our full line of lift trucks range in capacity from 1 to 16 tonne and are powered by internal combustion engines or electric options. Yale also offers robotic solutions, telemetry, fleet management, parts, financing and training. From traditional lift truck equipment to emerging technologies, our goal, every day, is to work with our nationwide dealer network to continually improve and provide the solutions you need, when and how you need them.

MATERIALS HANDLING FOR:

3PL

Auto Parts

Beverage

Cold & Frozen Foods

Food Distribution

Food Processing

Furniture & Furnishings

Health & Pharma

Home Centres

Retail

E-Commerce

Yale Lift Truck Technologies

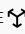
Centennial House
Frimley Business Park
Frimley
Surrey
GU16 7SG
United Kingdom

www.yale.com



Safety: All Yale products sold into EU countries, UK, and Turkey conform to the EU requirements of Machinery Directive 2006/42/EC and contain **CE** marking. Yale trucks sold into other countries may be ordered for production in conformance with Machinery Directive requirements, and when so ordered will contain **CE** marking.

HYSTER-YALE UK LIMITED trading as Yale Lift Truck Technologies. Registered Address: Centennial House, Building 4.5, Frimley Business Park, Frimley, Surrey, GU16 7SG, United Kingdom. Registered in England and Wales. Company Registration Number: 02636775.

©2023 Hyster-Yale Group, Inc., all rights reserved. YALE and YALE  are trademarks of Hyster-Yale Group, Inc. Trucks may be shown with optional equipment and/or features not available in all regions. Truck performance may be affected by the condition of the vehicle, how it is equipped and the application. Specifications are subject to change without notice.

Notice: Care must be exercised when handling elevated loads. Operators must be trained and must read, understand and follow the instructions contained in the Operating Manual. Consult your Yale® Dealer if any of the information shown is critical to your application.

Publication part no. 220991748 Rev.00 (0323DMS) EN