



MSC10

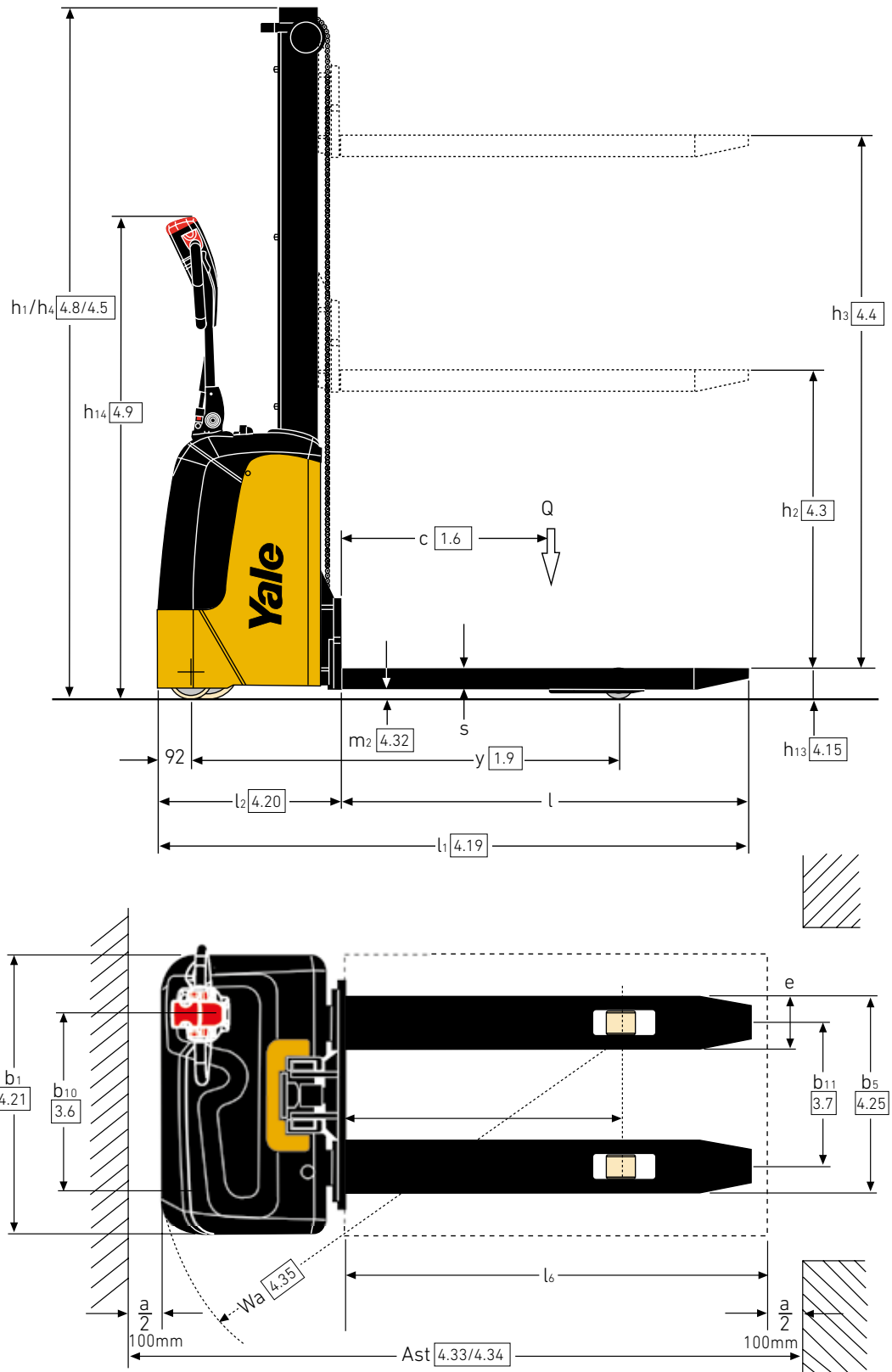
SPEC SHEET

1,000 kg

MSC10

Compact Stacker

TRUCK DIMENSIONS – MSC10



VDI 2198 – GENERAL SPECIFICATIONS – MSC10

GENERAL	1.1	Manufacturer		Yale
	1.2	Model designation		MSC10
	1.3	Drive		Battery
	1.4	Operator type		Pedestrian
	1.5	Rated capacity/Rated load	Q (t)	1.0
	1.6	Load centre distance	c (mm)	600
	1.8	Load distance, centre of drive axle to fork	x (mm)	786
	1.9	Wheelbase	y (mm)	1165
	WEIGHT	2.1	Service weight ⁽¹⁾	kg
2.2		Axle loading, laden front/rear	kg	434 / 937
2.3		Axle loading, unladen front/rear	kg	269 / 102
TYRES	3.1	Tyres front/rear		Solid rubber / Polyurethane
	3.2	Tyre size, front	ø (mm x mm)	186 x 50
	3.3	Tyre size, rear	ø (mm x mm)	82 x 70
	3.4	Additional wheels (dimensions)	ø (mm x mm)	125 x 45
	3.5	Wheels, number front/rear (x = driven wheels)		1x + 1/2
	3.6	Tread, front	b ₁₀ (mm)	505
	3.7	Tread, rear	b ₁₁ (mm)	410
DIMENSIONS	4.2	Height, mast lowered	h ₁ (mm)	1970
	4.3	Free lift	h ₂ (mm)	1510
	4.4	Lift	h ₃ (mm)	1510
	4.5	Height, mast extended	h ₄ (mm)	1970
	4.9	Height drawbar in driving position min./max.	h ₁₄ (mm)	930 / 1365
	4.10	Height of wheel arms	h ₈ (mm)	80
	4.15	Height, lowered	h ₁₃ (mm)	90
	4.19	Overall length	l ₁ (mm)	1675
	4.20	Length to face of forks	l ₂ (mm)	522
	4.21	Overall width	b ₁ /b ₂ (mm)	794
	4.22	Fork dimensions	s/e/l (mm)	60 / 150 / 1153
	4.24	Fork-carriage width	b ₃ (mm)	650
	4.25	Distance between fork-arms	b ₅ (mm)	560
	4.31	Ground clearance, laden, below mast	m ₁ (mm)	30
	4.32	Ground clearance, centre of wheelbase	m ₂ (mm)	40
	4.33	Load dimension b ₁₂ × l ₆ crossways	b ₁₂ × l ₆ (mm)	800 x 1200
	4.34.1	Aisle width for pallets 1000mm x 1200mm crossways	A _{st} (mm)	2130
4.34.2	Aisle width for pallets 800mm x 1200mm lengthwise	A _{st} (mm)	2120	
4.35	Turning radius	W _a (mm)	1344	
PERFORMANCE	5.1	Travel speed, laden/unladen	km/h	3.7 / 4.3
	5.1.1	Travel speed, laden/unladen, backwards	km/h	3.7 / 4.3
	5.2	Lift speed, laden/unladen	m/s	0.11 / 0.18
	5.3	Lowering speed, laden/unladen	m/s	0.18 / 0.18
	5.7	Gradeability, laden/unladen	%	-
	5.8	Max. gradeability, laden/unladen	%	9 / 25
5.10	Service brake			Electric
ELECTRIC	6.1	Drive motor S2 60 minute rating	kW	0.35
	6.2	Lift motor S3 15% rating	kW	2.2
	6.3	Battery according to DIN 43531/35/36 A,B,C, no		no
	6.4	Battery voltage/nominal capacity K5	V/Ah	24 / 54
	6.5	Battery weight ⁽¹⁾	kg	38
	6.8	Energy consumption at turnover output	kWh in 1h (kWh/h)	0.45
8.1	Type of drive unit			DC-Controller
10.7	Sound pressure level at the driver's seat	dB (A)		63

(1) These values may vary of +/- 5%

All values are nominal values and they are subject to tolerances.



About Yale®

Yale Materials Handling Corporation is one of the oldest manufacturers of lift trucks in the world. We've been in the business of lifting since 1875 and we apply that experience to help customers solve materials handling challenges. Our full line of lift trucks range in capacity from 1 to 16 tonne and are powered by internal combustion engines or electric options. Yale also offers robotic solutions, telemetry, fleet management, parts, financing and training. From traditional lift truck equipment to emerging technologies, our goal, every day, is to work with our nationwide dealer network to continually improve and provide the solutions you need, when and how you need them.

MATERIALS HANDLING FOR:

3PL

Auto Parts

Beverage

Cold & Frozen Foods

Food Distribution

Food Processing

Furniture & Furnishings

Health & Pharma

Home Centres

Retail

E-Commerce

Yale Lift Truck Technologies

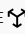
Centennial House
Frimley Business Park
Frimley
Surrey
GU16 7SG
United Kingdom

www.yale.com



Safety: All Yale products sold into EU countries, UK, and Turkey conform to the EU requirements of Machinery Directive 2006/42/EC and contain **CE** marking. Yale trucks sold into other countries may be ordered for production in conformance with Machinery Directive requirements, and when so ordered will contain **CE** marking.

HYSTER-YALE UK LIMITED trading as Yale Lift Truck Technologies. Registered Address: Centennial House, Building 4.5, Frimley Business Park, Frimley, Surrey, GU16 7SG, United Kingdom. Registered in England and Wales. Company Registration Number: 02636775.

©2023 Hyster-Yale Group, Inc., all rights reserved. YALE and YALE  are trademarks of Hyster-Yale Group, Inc. Trucks may be shown with optional equipment and/or features not available in all regions. Truck performance may be affected by the condition of the vehicle, how it is equipped and the application. Specifications are subject to change without notice.

Notice: Care must be exercised when handling elevated loads. Operators must be trained and must read, understand and follow the instructions contained in the Operating Manual. Consult your Yale® Dealer if any of the information shown is critical to your application.

Publication part no. 220991756 Rev.00 (0323DMS) EN