



MP25-30HD

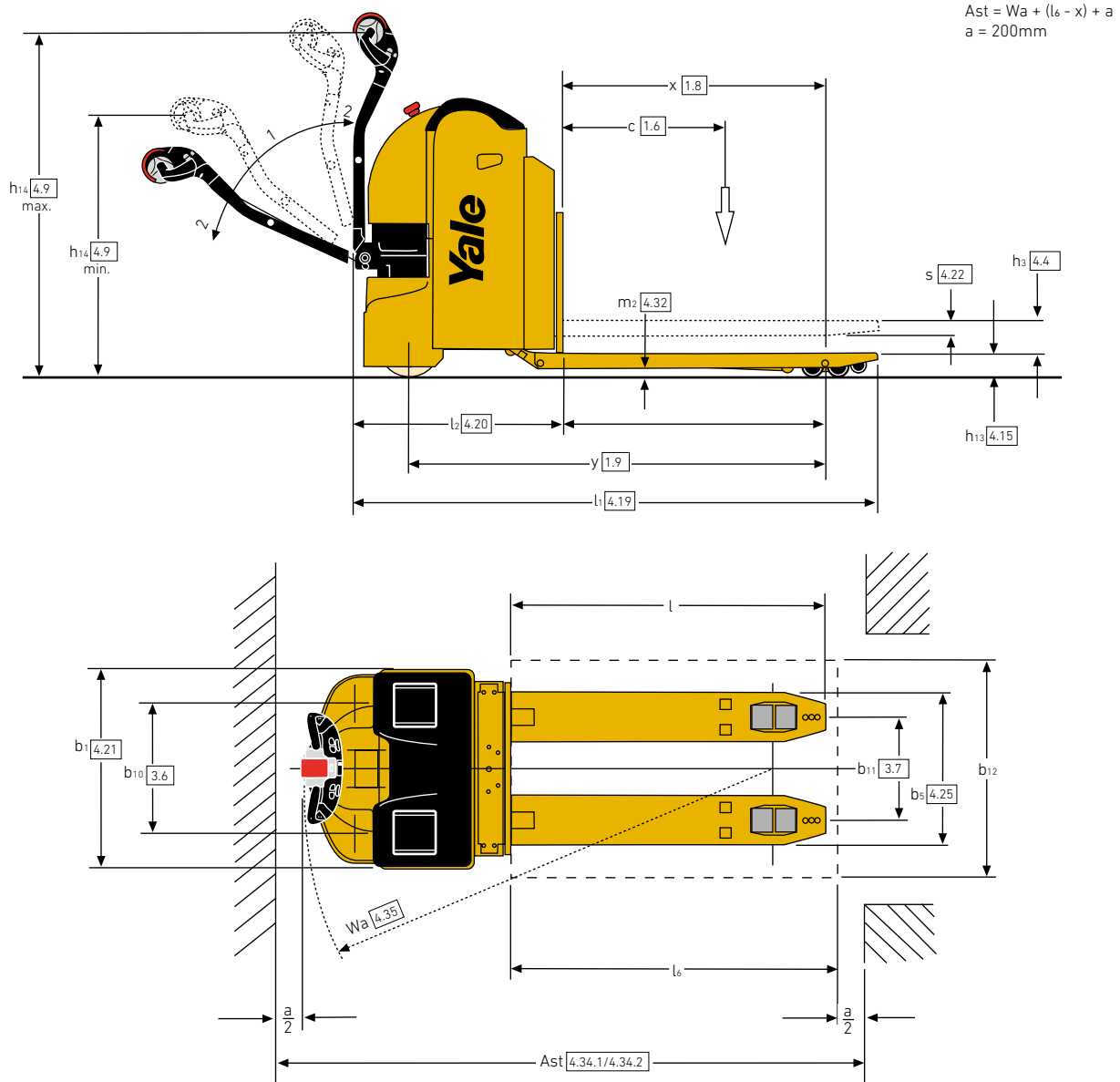
SPEC SHEET

2,500 - 3,000 kg

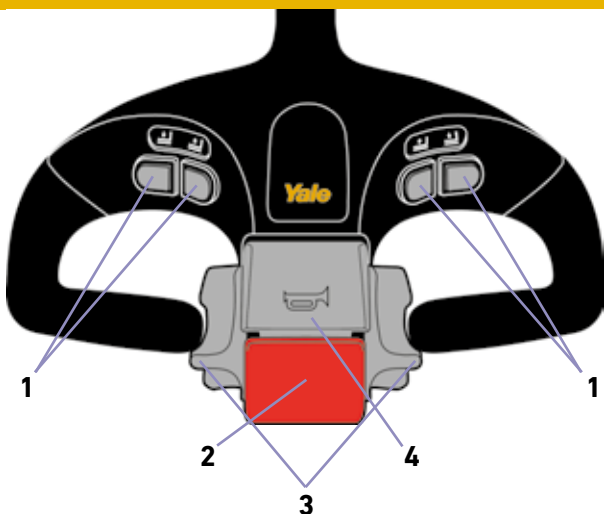
MPHD Series

Heavy Duty Pedestrian
Low Lift Pallet Truck

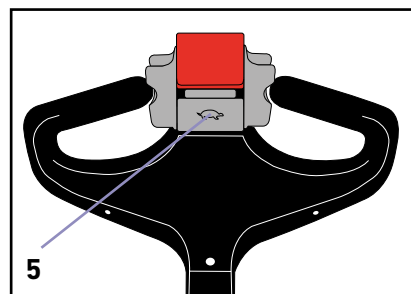
TRUCK DIMENSIONS – MPHD SERIES



TILLER HEAD – MPHD SERIES



1. Lift / lower buttons
2. Travel direction inverter button
3. Butterfly control buttons for direction and speed
4. Horn
5. Creep speed control



VDI 2198 – GENERAL SPECIFICATIONS – MPH D SERIES

		Yale		
		MP25HD	MP30HD	
GENERAL	1.1	Manufacturer		
	1.2	Model designation		
	1.3	Drive	Battery	
	1.4	Operator type	Pedestrian	
	1.5	Rated capacity/Rated load	2.5	3.0
	1.6	Load centre distance	600	
	1.8	Load distance, centre of drive axle to fork ⁽⁵⁾	965	
	1.9	Wheelbase ⁽⁵⁾	1526	
	WEIGHT	2.1	Service weight ⁽¹⁾	633
2.2		Axle loading, laden front/rear	1033 / 2100	1149 / 2484
2.3		Axle loading, unladen front/rear	475 / 158	479 / 154
TYRES	3.1	Tyres front/rear	Polyurethane / NDIIthane	
	3.2	Tyre size, front	260 x 95	
	3.3	Tyre size, rear	85 x 90	
	3.4	Additional wheels (dimension)	100 x 40	
	3.5	Wheels, number front/rear (x = driven wheels)	1x+2/4	
	3.6	Tread, front	488	
	3.7	Tread, rear	380	
DIMENSIONS	4.4	Lift	120	
	4.9	Height drawbar in driving position min./max.	955/1240	
	4.15	Height, lowered	85	
	4.19	Overall length	1913	
	4.20	Length to face of forks	757	
	4.21	Overall width	736	
	4.22	Fork dimensions	55 / 180 / 1156	
	4.25	Distance between fork-arms	560	
	4.32	Ground clearance, centre of wheelbase	30	
	4.33	Load dimension b ₁₂ x l ₆ crossways	800 x 1200	
4.34.1	Aisle width for pallets 1000mm x 1200mm crossways ⁽⁴⁾⁽⁵⁾	2534		
4.34.2	Aisle width for pallets 800mm x 1200mm lengthwise ⁽⁴⁾⁽⁵⁾	2397		
PERFORMANCE	5.1	Travel speed, laden/unladen	5,7 / 6	5,5 / 6
	5.2	Lift speed, laden/unladen	0.029 / 0.037	
	5.3	Lowering speed, laden/unladen	0.048 / 0.044	
	5.8	Max. gradeability, laden/unladen	8 / 20	5 / 20
	5.10	Service brake	Electromagnetic	
ELECTRIC	6.1	Drive motor S2 60 minute rating	2,6	
	6.2	Lift motor, S3 15% rating ⁽²⁾	1,4	
	6.3	Battery according to DIN 43531/35/36 A,B,C, no	No	
	6.4	Battery voltage/nominal capacity K5 ⁽³⁾	24 / 300	
	6.5	Battery weight ⁽¹⁾	233	
	6.6	Energy consumption according to VDI cycle	0,47	0,50
8.1	Type of drive unit	DC-Controller		
10.7	Sound level at the driver's ear according to DIN 12 053	< 70		

(1) These values may vary of +/- 5%

(2) Value referred to S3 6%

(3) Available battery 210/250Ah (DIN 43535 B Super). With battery 210/250Ah service weight ~21kg

(4) Tiller in upright position

(5) With load section lifted: -71mm

All values are nominal values and they are subject to tolerances.



About Yale®

Yale Materials Handling Corporation is one of the oldest manufacturers of lift trucks in the world. We've been in the business of lifting since 1875 and we apply that experience to help customers solve materials handling challenges. Our full line of lift trucks range in capacity from 1 to 16 tonne and are powered by internal combustion engines or electric options. Yale also offers robotic solutions, telemetry, fleet management, parts, financing and training. From traditional lift truck equipment to emerging technologies, our goal, every day, is to work with our nationwide dealer network to continually improve and provide the solutions you need, when and how you need them.

MATERIALS HANDLING FOR:

- 3PL
- Auto Parts
- Beverage
- Cold & Frozen Foods
- Food Distribution
- Food Processing
- Furniture & Furnishings
- Health & Pharma
- Home Centres
- Retail
- E-Commerce

Yale Lift Truck Technologies

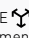
Centennial House
Frimley Business Park
Frimley
Surrey
GU16 7SG
United Kingdom

www.yale.com



Safety: All Yale products sold into EU countries, UK, and Turkey conform to the EU requirements of Machinery Directive 2006/42/EC and contain **CE** marking. Yale trucks sold into other countries may be ordered for production in conformance with Machinery Directive requirements, and when so ordered will contain **CE** marking.

HYSTER-YALE UK LIMITED trading as Yale Lift Truck Technologies. Registered Address: Centennial House, Building 4.5, Frimley Business Park, Frimley, Surrey, GU16 7SG, United Kingdom. Registered in England and Wales. Company Registration Number: 02636775.

©2023 Hyster-Yale Group, Inc., all rights reserved. YALE and YALE  are trademarks of Hyster-Yale Group, Inc. Trucks may be shown with optional equipment and/or features not available in all regions. Truck performance may be affected by the condition of the vehicle, how it is equipped and the application. Specifications are subject to change without notice.

Notice: Care must be exercised when handling elevated loads. Operators must be trained and must read, understand and follow the instructions contained in the Operating Manual. Consult your Yale® Dealer if any of the information shown is critical to your application.

Publication part no. 220991652 Rev.00 (0323DMS) EN