



# MR016-20

SPEC SHEET

1,600 - 2,000 kg.

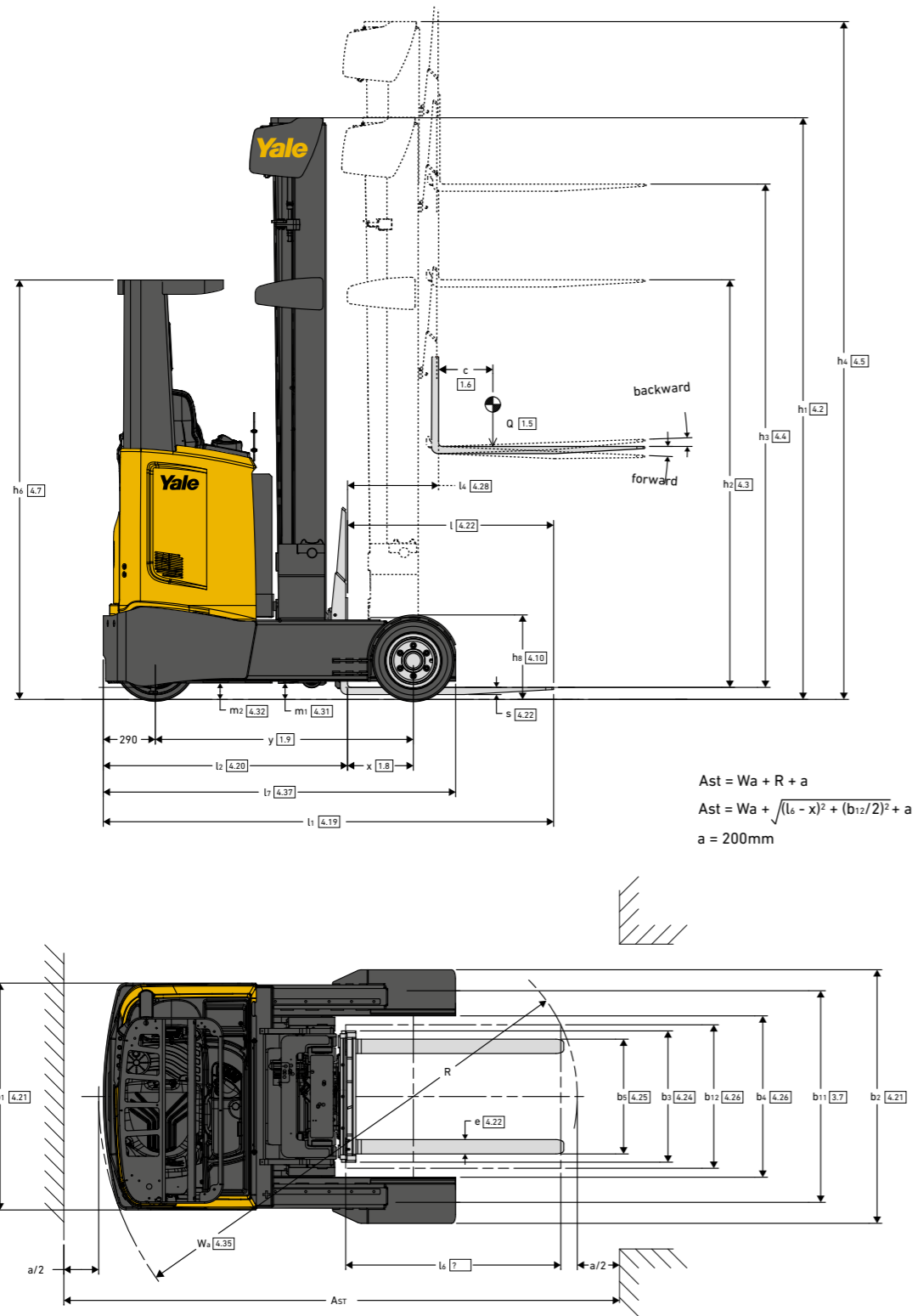
---

MR0 Series

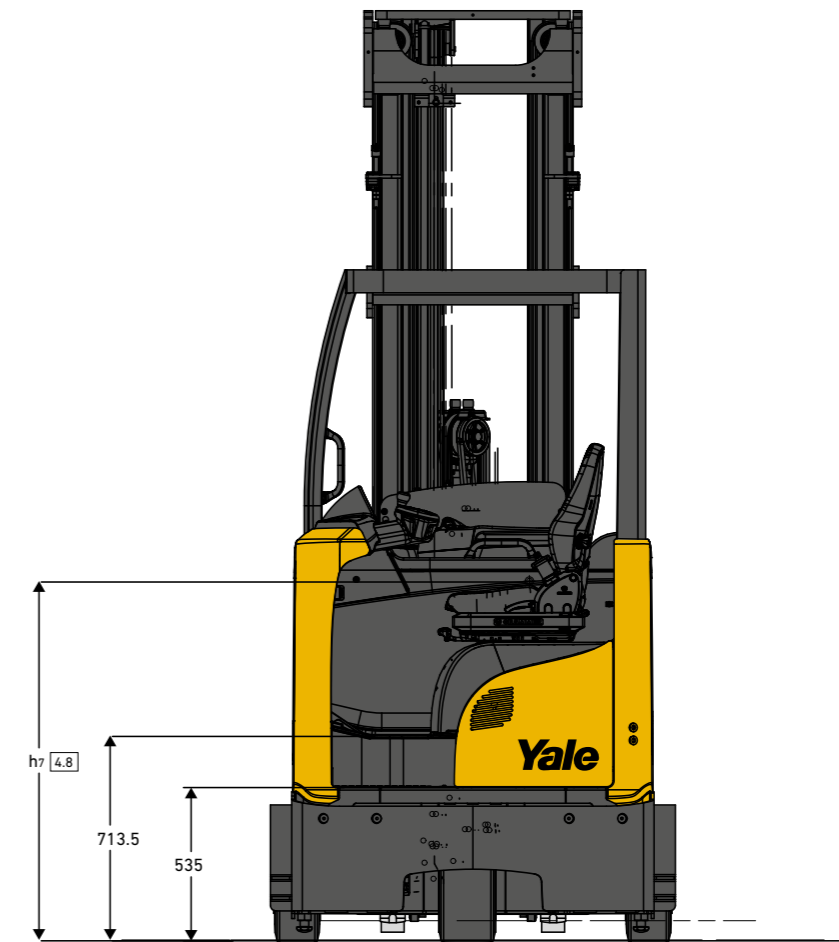
---

Outdoor Reach Truck

TRUCK DIMENSIONS - MR016, MR020



TRUCK DIMENSIONS - MR016, MR020



**GENERAL SPECIFICATIONS - MRO16, MRO16 W/FULL CAB, MRO20, MRO20 W/FULL CAB**

GENERAL	1-1	Manufacturer	Yale				
	1-2	Manufacturer's type designation	MRO16	MRO16 w/ fullcab	MRO20	MRO20 w/ fullcab	
GENERAL	1-3	Drive	Electric (battery)				
	1-4	Operator type	Seated				
	1-5	Rated capacity/Rated load	Q (kg)	1.6	2.0		
	1-6	Load centre distance	c (mm)	600			
	1-8	Load distance, centre of drive axle to fork	x (mm)	364	307	414	357
WEIGHT	1-9	Wheelbase	y (mm)	1440	1490		
	2-1	Service weight	kg	3827	3971	4123	4266
	2-3	Axle loading, unladen front/rear <sup>(5)</sup>	kg	2221/1606	2288/1683	2381/1742	2439/1827
	2-4	Axle loading fork advanced, laden front/rear	kg	683/4744	805/4766	603/5520	617/5649
	2-5	Axle loading fork retracted, laden front/rear	kg	1965/3462	1968/3603	2139/3984	2120/4146
TYRES, CHASSIS	3-1	Tyres front/rear	Pneumatic-shaped solid				
	3-2	Tyre size, front	200/50-10				
	3-3	Tyre size, rear	180/60-10				
	3-5	Wheels, number front/rear (x = driven wheels)	1x/2				
	3-7	Tread, rear	b11 (mm)	1225.5			
DIMENSIONS	4-1	Tilt of mast/fork carriage forward/backward	$\alpha / \beta$ (°)				
	4-2	Height of mast, lowered	h1 (mm)	2212			
	4-3	Free lift	h2 (mm)	1648	1582		
	4-4	Lift	h3 (mm)	5000	4650		
	4-5	Height, mast extended <sup>(1)</sup>	h4 (mm)	5580	5280		
	4-7	Height of overhead guard (cabin) <sup>(2)(10)(12)</sup>	h6 (mm)	2339	2414	2339	2414
	4-8	Seat height relating to SIP	h7 (mm)	1294			
	4-10	Height of wheel arms	h8 (mm)	471			
	4-19	Overall length <sup>(3)</sup>	l1 (mm)	2516	2628	2516	2628
	4-20	Length to face of forks <sup>(9)</sup>	l2 (mm)	1366	1478	1366	1478
	4-21	Overall width	b1 / b2 (mm)	1265/1414			
	4-22	Fork dimensions DIN ISO 2331	s/e/l (mm)	40/120/1150			
	4-23	Fork carriage ISO 2328, class/type A, B		2A			
	4-24	Fork-carriage width	b3 (mm)	700			
	4-25	Forks spread MIN/MAX <sup>(8)</sup>	b5 (mm)	260/680			
	4-26	Distance between wheel arms/loading surfaces	b4 (mm)	900			
	4-28	Reach distance	l4 (mm)	610	553	660	603
	4-31	Ground clearance, laden, below mast	m1 (mm)	91.5			
	4-32	Ground clearance, centre of wheelbase	m2 (mm)	91.5			
	4-34-1	Aisle width for pallets 1000mm x 1200mm crossways	Ast (mm)	2830	2931	2841	2941
	4-34-2	Aisle width for pallets 800mm x 1200mm lengthwise	Ast (mm)	2882	2993	2884	2997
	4-35	Turning radius <sup>(11)</sup>	Wa (mm)	1755.5	1815	1802.5	1864
	4-37	Length across wheel arms	l7 (mm)	1966	2021	2016	2071
	4-42	Step height (from ground to running board)	mm	714			
	4-43	Step height (between intermediate steps and floor)	mm	535			
PERFORMANCE DATA	5-1	Travel speed, laden/unladen	km/h	11,5 / 12,5	11,2 / 12,5	11,3 / 12,5	
	5-1-1	Travel speed, laden/unladen, backwards	km/h	11,5 / 12,5	11,2 / 12,5	11,3 / 12,5	
	5-2	Lift speed, laden/unladen <sup>(7)</sup>	m/s	0,32 / 0,63 (0,42 / 0,73)	0,32 / 0,63 (0,42 / 0,73)	0,37 / 0,64	
	5-3	Lowering speed, laden/unladen	m/s	0,55	0,55 / 0,50		
	5-4	Reaching speed, laden/unladen	m/s	0,17 / 0,17			
	5-7	Gradeability, laden/unladen <sup>(14)</sup>	%	7,9 / 12,4	7,4 / 11,4	6,9 / 11,8	6,7 / 11,4
	5-8	Max. gradeability laden/unladen <sup>(14)</sup>	%	10,3 / 15,7	9,7 / 14,5	9,1 / 15	8,8 / 14,4
	5-9	Acceleration time laden/unladen	s	5,1 / 4,6		5,3 / 4,6	5,1 / 4,6
	5-10	Service brake		Electric			
	ELECTRIC - ENGINE	6-1	Drive motor S2 60 minute rating	kW	9,6		
6-2		Lift motor, S3 15% rating <sup>(7)</sup>	kW	9,9	14		
6-3		Battery according to DIN 43531/35/36 A,B,C, no		C			
6-4		Battery voltage/nominal capacity K5	(V) / (Ah)	48/560 <sup>(6)</sup>			
6-5		Battery weight <sup>(4) (7)</sup>	kg	939			
6-6		Energy consumption according to DIN EN 16796	kWh/h	4,0	4,59		
6-7		Turnover output according to VDI 2198	t/h	63	76		
6-8		Turnover efficiency according to VDI 2198	t/kWh	15	17		
8-1	Type of drive unit		AC-Controller				
OTHER	10-1	Operating pressure for attachments	dB (A)	180			
	10-2	Oil volume for attachment		20			
	10-7	Sound pressure level at the driver's seat		<68,6	<68,6 <sup>(13)</sup>	<68,6	<68,6 <sup>(13)</sup>

(1) With load backrest h 4 + 508 mm (RO1.6/MRO16), + 443 mm (RO2.0/MRO20)  
 (2) With beacon and OHG h 6 + 120 mm. ; otherwise With beacon h6 +95 mm  
 (3) 2570 mm for other CAB configuration.  
 (4) These values may vary of +/- 5%.  
 (5) Forks retracted.  
 (6) Available battery 48V / 620Ah (950 kg); Li-ion battery 48V / 432Ah (939 kg);  
 Li-ion battery 48V / 540Ah (936 kg)  
 (7) Values in brackets are Optional.  
 (8) Side shift stroke is +/-75mm on all trucks.

(9) 1420 mm for other CAB configuration  
 (10) With OHG Grid Protector h6 + 30 mm; With OHG Screen Protector h6 + 45 mm  
 (11) 1755,5 and 1802,5 mm for other CAB configuration  
 (12) With OHG and PAL side line h6 + 135mm, With OHG and Double Work Light to Front h6 + 220 mm.  
 (13) With heater SWITCHED ON = 73.8  
 (14) Gradeability grades based on motor thermal capacity, torque available and brake requirements

**MAST DIMENSIONS - MRO16**

Lift	Free lift	Height of mast, lowered	Height, mast extended	Weight <sup>(2) (3)</sup>
h3 mm	h2 mm	h1 mm	h4 <sup>(1)</sup> mm	kg
5000	1648	2212	5579.5	911
5250	1734	2298	5829.5	936
5500	1820	2384	6079.5	961
5750	1906	2470	6329.5	986
6000	1992	2556	6579.5	1010
6250	2078	2642	6829.5	1035
6500	2164	2728	7079.5	1060
6750	2250	2814	7329.5	1090
7000	2336	2900	7579.5	1115
7250	2422	2986	7829.5	1140
7500	2508	3072	8079.5	1164

**MAST DIMENSIONS - MRO20**

Lift	Free lift	Height of mast, lowered	Height, mast extended	Weight <sup>(2) (3)</sup>
h3 mm	h2 mm	h1 mm	h4 <sup>(4)</sup> mm	kg
4650	1582	2212	5279.5	958
4900	1668	2298	5529.5	985
5150	1754	2384	5779.5	1012
5400	1840	2470	6029.5	1038
5650	1926	2556	6279.5	1065
5900	2012	2642	6529.5	1092
6150	2098	2728	6779.5	1118
6400	2184	2814	7029.5	1150
6650	2270	2900	7279.5	1177
6900	2356	2986	7529.5	1204
7150	2442	3072	7779.5	1230
7400	2528	3158	8029.5	1288

(1) Mast 3 stage full free lift (1600kg): With load backrest 1000 mm height, h4 + 508 mm; with load backrest 1500 mm height, h4 + 1008 mm.

(2) All weights are: mast structures (weldment, cylinders, chain, pulley) + carriage + oil. EXCLUDED: forks, accessories.

(3) With load backrest 700 mm width, 1000 mm height, weight + 13 kg; with load backrest 700 mm width, 1500 mm height, weight + 21 kg.

(4) Mast 3 stage full free lift (2000kg): With load backrest 1000 mm height, h4 + 443 mm; with load backrest 1500 mm height, h4 + 943 mm. Carriage set at 480 mm from the ground.

## FEATURES LIST - MR016

	STD	OPT		STD	OPT
200/50-10 Super Elastic Drive Tyres	•		1200 x 130 x 57mm - 850mm/250mm Telescopic Type Forks		•
200/50-10 Non-Marking Super Elastic Drive Tyres		•	1400 x 130 x 57mm - 1050mm/250mm Telescopic Type Forks		•
180/60-10 Super Elastic Load Wheel	•		1200 x 140 x 62mm - 850mm/250mm Telescopic Type Forks		•
180/60-10 Non-Marking Super Elastic Load Wheel		•	1400 x 140 x 62mm - 1050mm/250mm Telescopic Type Forks		•
Free Lift Dampening by Sensor	•		800mm Bolzoni Hang on Fork Positioner (315-755mm opening range)		•
Free Lift Dampening by Sensor with Junction Box		•	1000mm High Load Backrest		•
Lift Comfort		•	Single Height Lift Interrupt with Override		•
12.5km/h Maximum Drive Speed	•		Double Height Lift Interrupt with Override		•
Key Switch Start	•		Height Selector		•
Operator Password Start		•	Height Selector with Pallet Presence		•
Standard Construction	•		Fork Lower Interlock		•
High Temperature Construction (>35° C)		•	Fork Laser Positioning System		•
1223 x 355 x 784mm Battery Compartment (for 560/620 Ah DIN C Battery)	•		Fork Mounted Colour Camera		•
Vertical Battery Extraction	•		Load Backrest Mounted Colour Camera		•
Side Battery Extraction		•	Inner Mast Camera and Monitor		•
Standard Display	•		Work Lights Carriage Mounted		•
Premium Display		•	Full View Overhead Guard		•
180 Degree Steering	•		Rear/Top Screens with Rear/Top Wipers		•
360 Degree Steering		•	Rear/Top/Side Screens with Rear/Top Wipers		•
180/360 Degree Steering		•	Full Steel Cab with Front Washer/Wiper and Rear/Top Wiper		•
4 function hydraulics	•		Lexan Overhead Guard Cover		•
5 function hydraulics		•	Metal Grid Overhead Guard Cover		•
4 Lever Hydraulic Controls	•		Load Weight Display		•
Joystick Hydraulic Control		•	Universal Support Bracket		•
Simultaneous Hydraulic Operation for Lift and Reach	•		Clip Board		•
Simultaneous Hydraulic Operation for all Hydraulics		•	Document and Beverage Holders		•
Autocentre Sideshift		•	Stretch Film Roll Holder		•
Autolevel Tilt		•	Panoramic Mirror		•
Full Suspension MSG20 Cloth Seat	•		RF Terminal Bracket		•
Full Suspension MSG20 SKAI Seat		•	12 Volt DC/DC Converter		•
Full Suspension MSG65 Cloth Seat		•	24V DC/DC Converter		•
Full Suspension MSG65 SKAI Seat		•	24-12V DC Converter		•
Full Suspension MSG75 Cloth Seat		•	One Front LED Work Light		•
Full Suspension MSG75 SKAI Seat		•	2 Rear LED Work Lights		•
Seat Belt		•	One Front and Two Rear LED Work Lights		•
Hi-Vis Orange 2 Point Seat Belt		•	Two Front LED Worklights		•
Heated Seat		•	2 Front and 2 Rear Halogen Work Lights		•
Anti-Static Seat		•	Amber Strobe Light - Ignition and Switch Activated		•
Head Rest		•	sAudible Forward Alarm (Forks Trailing)		•
Traction Block on Seat and Belt		•	Audible Reverse Alarm (Forks Leading)		•
700mm Integral Sideshift Tilting Carriage	•		Red Line (Side) Pedestrian Awareness Lights (P.A.L.)		•
800 x 120 x 35mm Forks		•	Blue LED Spotlight - Rear - Reverse Direction Activation		•
1000 x 120 x 35mm Forks		•	Red Pedestrian Awareness Light (P.A.L.) - Reverse Activation (Forks Trailing)		•
1150 x 120 x 35mm Forks		•	Blue Pedestrian Awareness Light (P.A.L.) - Forward Activation (Forks Trailing)		•
1200 x 120 x 35mm Forks		•	Blue LED Spotlight - Front and Rear Mounted - Forward and Reverse Direction Activation		•
800 x 120 x 40mm Forks		•	Front Spotlight - Blue LED / Rear Spotlight - Red LED		•
1000 x 120 x 40mm Forks		•	Red Pedestrian Awareness Light (P.A.L.) - Forward Activation (Forks Leading)		•
1150 x 120 x 40mm Forks		•	Front Spotlight - Red LED / Rear Spotlight - Blue LED		•
1200 x 120 x 40mm Forks		•	Front Spotlight - Red LED / Rear Spotlight - Red LED		•
1500 X 120 X 40MM Forks		•			
1800 X 120 X 40MM Forks		•			

## FEATURES LIST - MR020

	STD	OPT		STD	OPT
200/50-10 Super Elastic Drive Tyres	•		1200 x 130 x 57mm - 850mm/250mm Telescopic Type Forks		•
200/50-10 Non-Marking Super Elastic Drive Tyres		•	1400 x 130 x 57mm - 1050mm/250mm Telescopic Type Forks		•
180/60-10 Super Elastic Load Wheel		•	1200 x 140 x 62mm - 850mm/250mm Telescopic Type Forks		•
180/60-10 Non-Marking Super Elastic Load Wheel		•	1400 x 140 x 62mm - 1050mm/250mm Telescopic Type Forks		•
Free Lift Dampening by Sensor	•		800mm Bolzoni Hang on Fork Positioner (315-755mm opening range)		•
Free Lift Dampening by Sensor with Junction Box		•	1000mm High Load Backrest		•
Lift Comfort		•	Single Height Lift Interrupt with Override		•
12.5km/h Maximum Drive Speed		•	Double Height Lift Interrupt with Override		•
Key Switch Start	•		Height Selector		•
Operator Password Start		•	Height Selector with Pallet Presence		•
Standard Construction	•		Fork Lower Interlock		•
High Temperature Construction (>35° C)		•	Fork Laser Positioning System		•
1223 x 355 x 784mm Battery Compartment (for 560/620 Ah DIN C Battery)	•		Fork Mounted Colour Camera		•
Vertical Battery Extraction	•		Load Backrest Mounted Colour Camera		•
Side Battery Extraction		•	Inner Mast Camera and Monitor		•
Standard Display	•		Work Lights Carriage Mounted		•
Premium Display		•	Full View Overhead Guard		•
180 Degree Steering	•		Rear/Top Screens with Rear/Top Wipers		•
360 Degree Steering		•	Rear/Top/Side Screens with Rear/Top Wipers		•
180/360 Degree Steering		•	Full Steel Cab with Front Washer/Wiper, Rear/Top Wiper		•
4 function hydraulics	•		Lexan Overhead Guard Cover		•
5 function hydraulics		•	Metal Grid Overhead Guard Cover		•
4 Lever Hydraulic Controls	•		Load Weight Display		•
Joystick Hydraulic Control		•	Universal Support Bracket		•
Simultaneous Hydraulic Operation for Lift and Reach	•		Clip Board		•
Simultaneous Hydraulic Operation for all Hydraulics		•	Document and Beverage Holders		•
Autocentre Sideshift		•	Stretch Film Roll Holder		•
Autolevel Tilt		•	Panoramic Mirror		•
Full Suspension MSG20 Cloth Seat	•		RF Terminal Bracket		•
Full Suspension MSG20 SKAI Seat		•	12 Volt DC/DC Converter		•
Full Suspension MSG65 Cloth Seat		•	24V DC/DC Converter		•
Full Suspension MSG65 SKAI Seat		•	24-12V DC Converter		•
Full Suspension MSG75 Cloth Seat		•	One Front LED Work Light		•
Full Suspension MSG75 SKAI Seat		•	2 Rear LED Work Lights		•
Seat Belt		•	One Front and Two Rear LED Work Lights		•
Hi-Vis Orange 2 Point Seat Belt		•	Two Front LED Worklights		•
Heated Seat		•	2 Front and 2 Rear Halogen Work Lights		•
Anti-Static Seat		•	Amber Strobe Light - Ignition and Switch Activated		•
Head Rest		•	Audible Forward Alarm (Forks Trailing)		•
Traction Block on Seat and Belt		•	Audible Reverse Alarm (Forks Leading)		•
700mm Integral Sideshift Tilting Carriage	•		Red Line (Side) Pedestrian Awareness Lights (P.A.L.)		•
800 x 120 x 35mm Forks	-	-	Blue LED Spotlight - Rear - Reverse Direction Activation		•
1000 x 120 x 35mm Forks	-	-	Red Pedestrian Awareness Light (P.A.L.) - Reverse Activation (Forks Trailing)		•
1150 x 120 x 35mm Forks	-	-	Blue Pedestrian Awareness Light (P.A.L.) - Forward Activation (Forks Trailing)		•
1200 x 120 x 35mm Forks	-	-	Blue LED Spotlight - Front and Rear Mounted - Forward and Reverse Direction Activation		•
800 x 120 x 40mm Forks		•	Front Spotlight - Blue LED / Rear Spotlight - Red LED		•
1000 x 120 x 40mm Forks		•	Red Pedestrian Awareness Light (P.A.L.) - Forward Activation (Forks Leading)		•
1150 x 120 x 40mm Forks		•	Front Spotlight - Red LED / Rear Spotlight - Blue LED		•
1200 x 120 x 40mm Forks		•	Front Spotlight - Red LED / Rear Spotlight - Red LED		•
1500 X 120 X 40MM Forks		•			
1800 X 120 X 40MM Forks		•			



# About Yale®

Yale Materials Handling Corporation is one of the oldest manufacturers of lift trucks in the world. We've been in the business of lifting since 1875 and we apply that experience to help customers solve materials handling challenges. Our full line of lift trucks range in capacity from 1 to 16 tonne and are powered by internal combustion engines or electric options. Yale also offers robotic solutions, telemetry, fleet management, parts, financing and training. From traditional lift truck equipment to emerging technologies, our goal, every day, is to work with our nationwide dealer network to continually improve and provide the solutions you need, when and how you need them.

## MATERIALS HANDLING FOR:

- 3PL
- Auto Parts
- Beverage
- Cold & Frozen Foods
- Food Distribution
- Food Processing
- Furniture & Furnishings
- Health & Pharma
- Home Centres
- Retail
- E-Commerce

## Yale Lift Truck Technologies

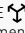
Centennial House  
Frimley Business Park  
Frimley  
Surrey  
GU16 7SG  
United Kingdom

[www.yale.com](http://www.yale.com)



**Safety:** All Yale products sold into EU countries, UK, and Turkey conform to the EU requirements of Machinery Directive 2006/42/EC and contain CE marking. Yale trucks sold into other countries may be ordered for production in conformance with Machinery Directive requirements, and when so ordered will contain CE marking.

HYSTER-YALE UK LIMITED trading as Yale Lift Truck Technologies. Registered Address: Centennial House, Building 4.5, Frimley Business Park, Frimley, Surrey, GU16 7SG, United Kingdom. Registered in England and Wales. Company Registration Number: 02636775.

©2023 Hyster-Yale Group, Inc., all rights reserved. YALE and YALE  are trademarks of Hyster-Yale Group, Inc. Trucks may be shown with optional equipment and/or features not available in all regions. Truck performance may be affected by the condition of the vehicle, how it is equipped and the application. Specifications are subject to change without notice.

**Notice:** Care must be exercised when handling elevated loads. Operators must be trained and must read, understand and follow the instructions contained in the Operating Manual. Consult your Yale® Dealer if any of the information shown is critical to your application.

Publication part no. 220991980 Rev.00 (0523TLC) EN