

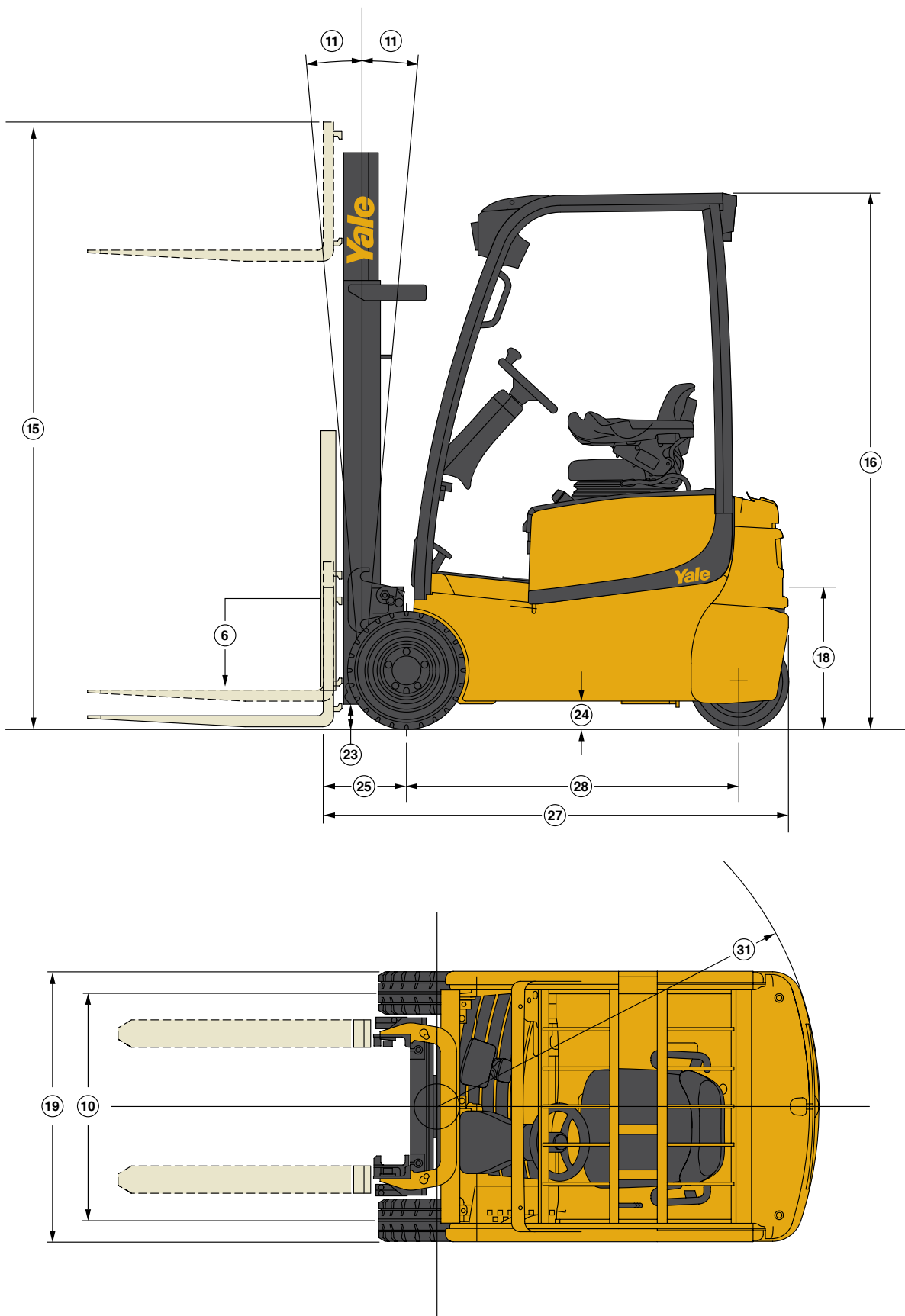


ERP 030-040VT

SPEC SHEET

3-wheel pneumatic tire
electric counterbalanced forklift

3,000-4,000 lbs.



Circled truck dimensions correspond to the line numbers in the General Specifications chart. Dimensions are listed in inches (millimeters).

GENERAL SPECIFICATIONS - ERP030VT

| | | | | | | | | |
|-------------|------------------------|---|--|---|--|---|--------------------------------------|--|
| GENERAL | 1 | Manufacturer | | | Yale® | | | |
| | 2 | Model designation | | | ERP030VT | | | |
| | 3 | Power | | | Electric | | | |
| | 4 | Operation | | | Sit | | | |
| | 5 | Rated capacity | | lb. (kg) | 3000 (1361) | | | |
| | 6 | Load center | | in. (mm) | 24 (610) | | | |
| TIRES | 7 | Tire type - cushion, solid, pneumatic, etc. | | Drive/steer | Pneumatic shaped solid / pneumatic shaped solid | | | |
| | 8 | Tire size | | Drive/steer | in. | 18 x 7-8 / 15 x 4.5-8 | | |
| | 9 | Wheels - number | X=Driven | Drive/steer | 2X / 2 | | | |
| | 10 | Tread | Ctr. of tires | Drive/steer | in. (mm) | 35 / 7 (889 / 179) | | |
| DIMENSIONS | 11 | Mast tilt | Std opt opt | | degrees | 5F / 5B 10F / 5B 5F / 4B | | |
| | 12 | Mast - lowered height | Std mast | | in. (mm) | 78 (1980) | | |
| | 13 | Free lift - top of fork | Std 2-stg limited free lift mast | | in. (mm) | 5 (140) | | |
| | 14 | | Opt 2-stg full free lift mast with/without LBR | | in. (mm) | 29 / 55 (750 / 1405) | | |
| | 15 | Lift height - top of fork | Std 2-stg limited free lift mast | | in. (mm) | 119 (3032) | | |
| | 16 | Mast - extended height | Std mast with/without LBR | | in. (mm) | 168 / 142 (4262 / 3606) | | |
| | 17 | Overhead guard height | Std/flat plate/drive in rack | | in. (mm) | 81.5 / 77.9 / 81.5 (2070 / 1979 / 2070) | | |
| | 18 | SIP to bottom std OHG | Nominal | Std/susp/swivel | in. (mm) | 38.9 / 39.2 / 38.7 (989 / 997 / 985) | | |
| | 19 | Tow pin height | Vertical center of pin | | in. (mm) | 21.2 (540) | | |
| | 20 | Overall width | | | in. (mm) | 41.3 (1050) | | |
| | 21 | Forks | Thickness x width x length | | in. (mm) | 1.6 x 3.9 x 42 (40 x 100 x 1067) | | |
| | 22 | Standard carriage width | | | in. (mm) | 38.5 (977) | | |
| | 23 | Floor to top of battery rollers | | | in. (mm) | 7 (178) | | |
| | 24 | Ground clearance | Lowest point | NL/RL | in. (mm) | 2.8 / 2.8 (70 / 70) | | |
| | 25 | | Center of truck | NL/RL | in. (mm) | 3.7 / 3.5 (95 / 90) | | |
| | 26 | Load distance | Center of wheel to face of forks | | in. (mm) | 12.6 (321) | | |
| | 27 | | Battery compartment | Height | Std/battery rollers/tall | in. (mm) | 23.9 / 25.4 / 26.7 (607 / 645 / 677) | |
| | 28 | | | Width | | in. (mm) | 39 (990) | |
| | 29 | Length | | | in. (mm) | 21.5 (546) | | |
| | 30 | Length to face of forks | Chassis length | | in. (mm) | 71.2 (1808) | | |
| | 31 | Wheelbase | | | in. (mm) | 50.8 (1290) | | |
| 32 | Right angle stack | | | in. (mm) | 118.9 (3021) | | | |
| 33 | Equal aisle | 90° Intersecting aisle | | in. (mm) | 69.3 (1759) | | | |
| 34 | Outside turning radius | | | in. (mm) | 58.3 (1481) | | | |
| WT. | 32 | Truck weight | Without battery | NL | lb. (kg) | 5100 (2313) | | |
| | 33 | Axle loading - drive | Static with max. wt. battery | NL/RL | lb. (kg) | 3553 / 8718 (1612 / 3954) | | |
| | 34 | Axle loading - steer | Static with max. wt. battery | NL/RL | lb. (kg) | 3743 / 1578 (1698 / 716) | | |
| PERFORMANCE | 35 | Voltage | | | | 36 | 48 | |
| | 36 | Travel speed | Extended shift OFF | NL/RL | mph (km/h) | 9.8 / 9.8 (15.7 / 15.7) | 9.8 / 9.8 (15.7 / 15.7) | |
| | | | Extended shift ON | NL/RL | mph (km/h) | 8.7 / 8.7 (14.0 / 14.0) | 8.7 / 8.7 (14.0 / 14.0) | |
| | 37 | Lift speed | Std 2-stg LFL mast | NL/RL | ft/min (m/sec) | 128 / 77 (0.65 / 0.39) | 134 / 94 (0.68 / 0.48) | |
| | | | Opt 2-stg FFL mast | NL/RL | ft/min (m/sec) | 114 / 75 (0.58 / 0.38) | 120 / 89 (0.61 / 0.45) | |
| | | | Opt 3-stg FFL mast | NL/RL | ft/min (m/sec) | 114 / 75 (0.58 / 0.38) | 120 / 89 (0.61 / 0.45) | |
| | | | Opt 4-stg FFL mast | NL/RL | ft/min (m/sec) | 120 / 77 (0.61 / 0.39) | 126 / 91 (0.64 / 0.46) | |
| | 38 | Lower speed | Std 2-stg LFL mast | NL/RL | ft/min (m/sec) | 93 / 100 (0.47 / 0.51) | | |
| | | | Opt 2-stg FFL mast | NL/RL | ft/min (m/sec) | 77 / 91 (0.39 / 0.46) | | |
| | | | Opt 3-stg FFL mast | NL/RL | ft/min (m/sec) | 81 / 91 (0.41 / 0.46) | | |
| | | | Opt 4-stg FFL mast | NL/RL | ft/min (m/sec) | 94 / 98 (0.48 / 0.50) | | |
| | 39 | Gradability | 5 Minute rating | NL/RL | % | 38.4 / 26.5 | 34 / 25 | |
| | | | 60 Minute rating | NL/RL | % | 6.0 / 4.4 | 9.9 / 6.5 | |
| 40 | Drawbar pull | 5 Minute rating | NL/RL | lbf | 2719 / 2714 (12096 / 12072) | 2489 / 2437 (11072 / 10840) | | |
| | | 60 Minute rating | NL/RL | lbf | 458 / 462 (2038 / 2054) | 744 / 691 (3309 / 3074) | | |
| 41 | Brake | Method of control | Service/parking | | Hydraulic / mechanical | | | |
| | | Method of operation | Service/parking | | Foot / automatic | | | |
| ELECTRIC | 42 | Battery | Type | | Lead acid Thin Plate Pure Lead* Lithium-ion* | | | |
| | 43 | Traction motors (Dual) | 60 Minute rating (each) | | hp (kW) | 6.4 (4.8) | 6.7 (5.0) | |
| | 44 | Pump motor | 15 Minute rating | | hp (kW) | 16.1 (12.0) | 16.1 (12.0) | |
| | 45 | Traction motors | Type/control method | | AC / transistor | | | |
| | 46 | Pump motor | Type/control method | | AC / transistor | | | |
| 47 | Number of speeds | Traction/pump | | Infinitely variable / infinitely variable | | | | |
| OTHER | 48 | Step height | | | in. (mm) | 19.1 (484) | | |
| | 49 | Floor height | Lowest point | | in. (mm) | 21.9 (557) | | |
| | 50 | Attachment relief pressure | Mech levers/mini levers | | psi (bar) | 2611 / 2248 (180 / 155) | | |
| | 51 | Auxiliary oil flow | 3rd and 4th function | | gal/min (l/min) | 5.3 / 10.6 (20 / 40) | | |
| | 52 | Sound level | Measured per ANSI B56.11.5 | | dB (A) | 69 | 69 | |

*Optional with Yale Power Key

Above specifications, unless otherwise listed, are for a standard truck without optional equipment.

Right angle stack and equal intersecting aisle dimensions provided with a 48" long and 40" wide pallet load, allowing zero clearance.

GENERAL SPECIFICATIONS - ERP035VT

| | | | | | | | |
|-------------|------------------------|---|--|--|---|---|-------------------------|
| GENERAL | 1 | Manufacturer | | | Yale® | | |
| | 2 | Model designation | | | ERP035VT | | |
| | 3 | Power | | | Electric | | |
| | 4 | Operation | | | Sit | | |
| | 5 | Rated capacity | | lb. (kg) | 3500 (1588) | | |
| | 6 | Load center | | in. (mm) | 24 (610) | | |
| TIRES | 7 | Tire type - cushion, solid, pneumatic, etc. | | Drive/steer | Pneumatic shaped solid / pneumatic shaped solid | | |
| | 8 | Tire size | | Drive/steer | in. 18 x 7-8 / 15 x 4.5-8 | | |
| | 9 | Wheels - number | X=Driven | Drive/steer | 2X / 2 | | |
| | 10 | Tread | Ctr. of tires | Drive/steer | in. (mm) 35 / 7 (889 / 179) | | |
| DIMENSIONS | 11 | Mast tilt | Std opt opt | | degrees | 5F / 5B 10F / 5B 5F / 4B | |
| | 12 | Mast - lowered height | Std mast | | in. (mm) | 78 (1980) | |
| | 13 | Free lift - top of fork | Std 2-stg limited free lift mast | | in. (mm) | 5 (140) | |
| | | | Opt 2-stg full free lift mast with/without LBR | | in. (mm) | 29 / 55 (750 / 1405) | |
| | 14 | Lift height - top of fork | Std 2-stg limited free lift mast | | in. (mm) | 119 (3032) | |
| | 15 | Mast - extended height | Std mast with/without LBR | | in. (mm) | 168 / 142 (4262 / 3606) | |
| | 16 | Overhead guard height | Std/flat plate/drive in rack | | in. (mm) | 81.5 / 77.9 / 81.5 (2070 / 1979 / 2070) | |
| | 17 | SIP to bottom std OHG | Nominal | Std/susp/swivel | in. (mm) | 38.9 / 39.2 / 38.7 (989 / 997 / 985) | |
| | 18 | Tow pin height | Vertical center of pin | | in. (mm) | 21.2 (540) | |
| | 19 | Overall width | | | in. (mm) | 41.3 (1050) | |
| | 20 | Forks | Thickness x width x length | | in. (mm) | 1.6 x 3.9 x 42 (40 x 100 x 1067) | |
| | 21 | Standard carriage width | | | in. (mm) | 38.5 (977) | |
| | 22 | Floor to top of battery rollers | | | in. (mm) | 7 (178) | |
| | 23 | Ground clearance | Lowest point | NL/RL | in. (mm) | 2.8 / 2.8 (70 / 70) | |
| | | | Center of truck | NL/RL | in. (mm) | 3.7 / 3.5 (95 / 90) | |
| | 24 | Load distance | Center of wheel to face of forks | | in. (mm) | 12.6 (321) | |
| | 26 | Battery compartment | Height | Std/battery rollers/tall | in. (mm) | 23.9 / 25.4 / 26.7 (607 / 645 / 677) | |
| | | | Width | | in. (mm) | 39 (990) | |
| | | | Length | | in. (mm) | 25.3 (642) | |
| | 27 | Length to face of forks | Chassis length | | in. (mm) | 74.9 (1903) | |
| | 28 | Wheelbase | | | in. (mm) | 54.6 (1386) | |
| 29 | Right angle stack | | | in. (mm) | 122.7 (3117) | | |
| 30 | Equal aisle | 90° Intersecting aisle | | in. (mm) | 70.6 (1793) | | |
| 31 | Outside turning radius | | | in. (mm) | 62.1 (1577) | | |
| WT. | 32 | Truck weight | Without battery | NL | lb. (kg) | 5230 (2372) | |
| | 33 | Axle loading - drive | Static with max. wt. battery | NL/RL | lb. (kg) | 3704 / 9557 (1680 / 4335) | |
| | 34 | Axle loading - steer | Static with max. wt. battery | NL/RL | lb. (kg) | 3917 / 1565 (1777 / 710) | |
| PERFORMANCE | 35 | Voltage | | | 36 | 48 | |
| | 36 | Travel speed | Extended shift OFF | NL/RL | mph (km/h) | 9.8 / 9.8 (15.7 / 15.7) | 9.8 / 9.8 (15.7 / 15.7) |
| | | | Extended shift ON | NL/RL | mph (km/h) | 8.7 / 8.7 (14.0 / 14.0) | 8.7 / 8.7 (14.0 / 14.0) |
| | 37 | Lift speed | Std 2-stg LFL mast | NL/RL | ft/min (m/sec) | 128 / 71 (0.65 / 0.36) | 134 / 94 (0.68 / 0.48) |
| | | | Opt 2-stg FFL mast | NL/RL | ft/min (m/sec) | 114 / 75 (0.58 / 0.38) | 120 / 85 (0.61 / 0.43) |
| | | | Opt 3-stg FFL mast | NL/RL | ft/min (m/sec) | 114 / 75 (0.58 / 0.38) | 120 / 85 (0.61 / 0.43) |
| | | | Opt 4-stg FFL mast | NL/RL | ft/min (m/sec) | 120 / 77 (0.61 / 0.39) | 126 / 89 (0.64 / 0.45) |
| | 38 | Lower speed | Std 2-stg LFL mast | NL/RL | ft/min (m/sec) | 93 / 100 (0.47 / 0.51) | |
| | | | Opt 2-stg FFL mast | NL/RL | ft/min (m/sec) | 77 / 91 (0.39 / 0.46) | |
| | | | Opt 3-stg FFL mast | NL/RL | ft/min (m/sec) | 81 / 91 (0.41 / 0.46) | |
| | | | Opt 4-stg FFL mast | NL/RL | ft/min (m/sec) | 94 / 98 (0.48 / 0.50) | |
| | 39 | Gradability | 5 Minute rating | NL/RL | % | 36.2 / 24.3 | 35.0 / 25.0 |
| | | | 60 Minute rating | NL/RL | % | 5.7 / 4.0 | 9.2 / 5.9 |
| 40 | Drawbar pull | 5 Minute rating | NL/RL | lbf | 2719 / 2712 (12093 / 12065) | 2479 / 2417 (11027 / 10751) | |
| | | 60 Minute rating | NL/RL | lbf | 457 / 460 (2035 / 2047) | 733 / 672 (3261 / 2989) | |
| 41 | Brake | Method of control | Service/parking | | Hydraulic / mechanical | | |
| | | Method of operation | Service/parking | | Foot / automatic | | |
| 42 | Battery | Type | | Lead acid Thin Plate Pure Lead* Lithium-ion* | | | |
| 43 | Traction motors (Dual) | 60 Minute rating (each) | | hp (kW) | 6.4 (4.8) | 6.7 (5.0) | |
| 44 | Pump motor | 15 Minute rating | | hp (kW) | 16.1 (12.0) | 16.1 (12.0) | |
| 45 | Traction motors | Type/control method | | Ac / transistor | | | |
| 46 | Pump motor | Type/control method | | Ac / transistor | | | |
| 47 | Number of speeds | Traction/pump | | Infinitely variable / infinitely variable | | | |
| OTHER | 48 | Step height | | | in. (mm) | 19.1 (484) | |
| | 49 | Floor height | Lowest point | | in. (mm) | 21.9 (557) | |
| | 50 | Attachment relief pressure | Mech levers/mini levers | | psi (bar) | 2611 / 2248 (180 / 155) | |
| | 51 | Auxiliary oil flow | 3rd and 4th function | | gal/min (l/min) | 5.3 / 10.6 (20 / 40) | |
| | 52 | Sound level | Measured per ANSI B56.11.5 | | dB (A) | 69 | 69 |

*Optional with Yale Power Key

Above specifications, unless otherwise listed, are for a standard truck without optional equipment.

Right angle stack and equal intersecting aisle dimensions provided with a 48" long and 40" wide pallet load, allowing zero clearance.

GENERAL SPECIFICATIONS - ERP040VT

| | | | | | | | |
|-------------|------------------------|---|--|--|---|---|-------------------------|
| GENERAL | 1 | Manufacturer | | | Yale® | | |
| | 2 | Model designation | | | ERP040VT | | |
| | 3 | Power | | | Electric | | |
| | 4 | Operation | | | Sit | | |
| | 5 | Rated capacity | | lb. (kg) | 4000 (1814) | | |
| | 6 | Load center | | in. (mm) | 24 (610) | | |
| TIRES | 7 | Tire type - cushion, solid, pneumatic, etc. | | Drive/steer | Pneumatic shaped solid / pneumatic shaped solid | | |
| | 8 | Tire size | | Drive/steer | in. | 200 / 50-10 / 15 x 4.5-8 | |
| | 9 | Wheels - number | X=Driven | Drive/steer | | 2X / 2 | |
| | 10 | Tread | Ctr. of tires | Drive/steer | in. (mm) | 35.7 / 7 (908 / 179) | |
| DIMENSIONS | 11 | Mast tilt | Std opt opt | | degrees | 5F / 5B 10F / 5B 5F / 4B | |
| | 12 | Mast - lowered height | Std mast | | in. (mm) | 78 (1980) | |
| | 13 | Free lift - top of fork | Std 2-stg limited free lift mast | | in. (mm) | 5 (140) | |
| | | | Opt 2-stg full free lift mast with/without LBR | | in. (mm) | 29 / 55 (750 / 1405) | |
| | 14 | Lift height - top of fork | Std 2-stg limited free lift mast | | in. (mm) | 119 (3032) | |
| | 15 | Mast - extended height | Std mast with/without LBR | | in. (mm) | 168 / 142 (4262 / 3606) | |
| | 16 | Overhead guard height | Std/flat plate/drive in rack | | in. (mm) | 81.5 / 77.9 / 81.5 (2070 / 1979 / 2070) | |
| | 17 | SIP to bottom std OHG | Nominal | Std/susp/swivel | in. (mm) | 38.9 / 39.2 / 38.7 (989 / 997 / 985) | |
| | 18 | Tow pin height | Vertical center of pin | | in. (mm) | 21.2 (540) | |
| | 19 | Overall width | | | in. (mm) | 43.9 (1116) | |
| | 20 | Forks | Thickness x width x length | | in. (mm) | 1.6 x 3.9 x 42 (40 x 100 x 1067) | |
| | 21 | Standard carriage width | | | in. (mm) | 38.5 (977) | |
| | 22 | Floor to top of battery rollers | | | in. (mm) | 7 (178) | |
| | 23 | Ground clearance | Lowest point | NL/RL | in. (mm) | 2.8 / 2.8 (70 / 70) | |
| | | | Center of truck | NL/RL | in. (mm) | 3.7 / 3.5 (95 / 90) | |
| | 24 | Load distance | Center of wheel to face of forks | | in. (mm) | 12.6 (321) | |
| | 26 | Battery compartment | Height | Std/battery rollers/tall | in. (mm) | 23.9 / 25.4 / 26.7 (607 / 645 / 677) | |
| | | | Width | | in. (mm) | 39 (990) | |
| | | | Length | | in. (mm) | 25.3 (642) | |
| | 27 | Length to face of forks | Chassis length | | in. (mm) | 74.9 (1903) | |
| | 28 | Wheelbase | | | in. (mm) | 54.6 (1386) | |
| 29 | Right angle stack | | | in. (mm) | 122.7 (3117) | | |
| 30 | Equal aisle | 90° Intersecting aisle | | in. (mm) | 71.5 (1816) | | |
| 31 | Outside turning radius | | | in. (mm) | 62.1 (1577) | | |
| WT. | 32 | Truck weight | Without battery | NL | lb. (kg) | 5270 (2390) | |
| | 33 | Axle loading - drive | Static with max. wt. battery | NL/RL | lb. (kg) | 3748 / 10437 (1700 / 4734) | |
| | 34 | Axle loading - steer | Static with max. wt. battery | NL/RL | lb. (kg) | 3917 / 1229 (1777 / 557) | |
| PERFORMANCE | 35 | Voltage | | | 36 | 48 | |
| | 36 | Travel speed | Extended shift OFF | NL/RL | mph (km/h) | 9.8 / 9.8 (15.7 / 15.7) | 9.8 / 9.8 (15.7 / 15.7) |
| | | | Extended shift ON | NL/RL | mph (km/h) | 8.7 / 8.7 (14.0 / 14.0) | 8.7 / 8.7 (14.0 / 14.0) |
| | 37 | Lift speed | Std 2-stg LFL mast | NL/RL | ft/min (m/sec) | 128 / 67 (0.65 / 0.34) | 134 / 83 (0.68 / 0.42) |
| | | | Opt 2-stg FFL mast | NL/RL | ft/min (m/sec) | 114 / 65 (0.58 / 0.33) | 120 / 81 (0.61 / 0.41) |
| | | | Opt 3-stg FFL mast | NL/RL | ft/min (m/sec) | 114 / 65 (0.58 / 0.33) | 120 / 81 (0.61 / 0.41) |
| | | | Opt 4-stg FFL mast | NL/RL | ft/min (m/sec) | 120 / 71 (0.61 / 0.36) | 126 / 89 (0.64 / 0.45) |
| | 38 | Lower speed | Std 2-stg LFL mast | NL/RL | ft/min (m/sec) | 93 / 100 (0.47 / 0.51) | |
| | | | Opt 2-stg FFL mast | NL/RL | ft/min (m/sec) | 77 / 93 (0.39 / 0.47) | |
| | | | Opt 3-stg FFL mast | NL/RL | ft/min (m/sec) | 81 / 93 (0.41 / 0.47) | |
| | | | Opt 4-stg FFL mast | NL/RL | ft/min (m/sec) | 94 / 98 (0.48 / 0.50) | |
| | 39 | Gradability | 5 Minute rating | NL/RL | % | 36.0 / 23.6 | 34.0 / 21.0 |
| | | | 60 Minute rating | NL/RL | % | 5.7 / 3.9 | 9.2 / 5.6 |
| 40 | Drawbar pull | 5 Minute rating | NL/RL | lbf | 2719 / 2712 (12093 / 12062) | 2479 / 2409 (11027 / 10716) | |
| | | 60 Minute rating | NL/RL | lbf | 457 / 460 (2034 / 2044) | 733 / 663 (3261 / 2949) | |
| 41 | Brake | Method of control | Service/parking | | Hydraulic / mechanical | | |
| | | Method of operation | Service/parking | | Foot / automatic | | |
| 42 | Battery | Type | | Lead acid Thin Plate Pure Lead* Lithium-ion* | | | |
| 43 | Traction motors (Dual) | 60 Minute rating (each) | | hp (kW) | 6.4 (4.8) | 6.7 (5.0) | |
| 44 | Pump motor | 15 Minute rating | | hp (kW) | 16.1 (12.0) | 16.1 (12.0) | |
| 45 | Traction motors | Type/control method | | Ac / transistor | | | |
| 46 | Pump motor | Type/control method | | Ac / transistor | | | |
| 47 | Number of speeds | Traction/pump | | Infinitely variable / infinitely variable | | | |
| OTHER | 48 | Step height | | | in. (mm) | 19.1 (484) | |
| | 49 | Floor height | Lowest point | | in. (mm) | 21.9 (557) | |
| | 50 | Attachment relief pressure | Mech levers/mini levers | | psi (bar) | 2611 / 2248 (180 / 155) | |
| | 51 | Auxiliary oil flow | 3rd and 4th function | | gal/min (l/min) | 5.3 / 10.6 (20 / 40) | |
| | 52 | Sound level | Measured per ANSI B56.11.5 | | dB (A) | 69 | 69 |

*Optional with Yale Power Key

Above specifications, unless otherwise listed, are for a standard truck without optional equipment.
Right angle stack and equal intersecting aisle dimensions provided with a 48" long and 40" wide pallet load, allowing zero clearance.

ERP030VT WITH 21.5" LONG COMPARTMENT

| Battery compartment dimensions | | | | Battery dimensions and specifications | | | | | | | | | | |
|---------------------------------|----------|------------|------------|---------------------------------------|------------|----------|------------|------------|--------------|--------------|-----------------|--------------------------|------------|-------------|
| Compartment type | Width | Length | Height | "X" | | "Y" | | "Z" | Volts | No. of cells | Plates per cell | Max capacity 6 hour rate | Weight | |
| | | | | Min | Max | Min | Max | Max | | | | | Min | Max |
| | in. (mm) | | | in. (mm) | | | | | amp hr (kwh) | | lb. (kg) | | | |
| With auxiliary CTWT platform | | | 23.9 (607) | 38.2 (970) | 38.8 (986) | 20 (508) | 21.2 (539) | 23.4 (594) | 36 | 18 | 17 | 880 (30.6) | 1700 (771) | 2200 (998) |
| | | | | | | | | 48 | 24 | 13 | 660 (30.5) | | | |
| With battery rollers | 39 (990) | 21.5 (546) | 25.4 (645) | 38.2 (970) | 38.8 (986) | 20 (508) | 21.2 (539) | 24.9 (632) | 36 | 18 | 17 | 880 (30.6) | 1700 (771) | 2200 (998) |
| | | | | | | | | 48 | 24 | 13 | 660 (30.5) | | | |
| Without auxiliary CTWT platform | | | 26.7 (677) | 38.2 (970) | 38.8 (986) | 20 (508) | 21.2 (539) | 26.1 (664) | 36 | 18 | 17 | 880 (30.6) | 2000 (907) | 2500 (1134) |
| | | | | | | | | 48 | 24 | 13 | 660 (30.5) | | | |

ERP035-040VT WITH 25.3" LONG COMPARTMENT

| Battery compartment dimensions | | | | Battery dimensions and specifications | | | | | | | | | | |
|---------------------------------|----------|------------|------------|---------------------------------------|------------|------------|----------|------------|--------------|--------------|-----------------|--------------------------|-------------|-------------|
| Compartment type | Width | Length | Height | "X" | | "Y" | | "Z" | Volts | No. of cells | Plates per cell | Max capacity 6 hour rate | Weight | |
| | | | | Min | Max | Min | Max | Max | | | | | Min | Max |
| | in. (mm) | | | in. (mm) | | | | | amp hr (kwh) | | lb. (kg) | | | |
| With auxiliary CTWT platform | | | 23.9 (607) | 38.2 (970) | 38.8 (986) | 23.5 (597) | 25 (635) | 23.4 (594) | 36 | 18 | 21 | 1100 (38.2) | 2100 (953) | 2400 (1089) |
| | | | | | | | | 48 | 24 | 15 | 770 (35.8) | | | |
| With battery rollers | 39 (990) | 25.3 (642) | 25.4 (645) | 38.2 (970) | 38.8 (986) | 23.5 (597) | 25 (635) | 24.9 (632) | 36 | 18 | 21 | 1100 (38.2) | 2100 (953) | 2400 (1089) |
| | | | | | | | | 48 | 24 | 15 | 770 (35.8) | | | |
| Without auxiliary CTWT platform | | | 26.7 (677) | 38.2 (970) | 38.8 (986) | 23.5 (597) | 25 (635) | 26.1 (664) | 36 | 18 | 21 | 1100 (38.2) | 2500 (1134) | 2800 (1270) |
| | | | | | | | | 48 | 24 | 15 | 770 (35.8) | | | |

Battery type: "EO" (without cover)

Battery amp hr (kwh) capacity is max allowable per UL

Commercially available lead acid or lithium-ion batteries may not necessarily reach these max limits

Battery compartment length is measured front to rear. Battery compartment width is measured across the truck

Battery notes - conventional charging (option BCSSBC)

Battery connector: 36 volt - Gray SB®350 (Anderson Power Products® P/N 6320G1 or equivalent)

48 volt - Blue SB®350 (Anderson Power Products® P/N 6321G1 or equivalent)

Battery lead: length 20" (508 mm), position "B", 2/0 AWG

Battery notes - rapid / fast charging (option BARFBC)

Battery connector: requires dual positive / negative cabling terminating in (2) female EBC-320 DIN connectors

(Anderson Power Products® P/N A32503-0009 or equivalent)

Each individual DIN connector to include 1 red conductor to (+) and 1 black conductor to (-)

Battery lead: length 23" (585 mm), position "B", minimum cable Size 3/0 AWG

MAST DIMENSIONS - ERP030-040VT

| Maximum fork height (TOF) + | Overall lowered ht. | Overall extended height w/ load -backrest | Overall extended height w/o load backrest | Free-lift (TOF) w/ load backrest | Free-lift (TOF) w/o load backrest |
|---|---------------------|---|---|----------------------------------|-----------------------------------|
| in. (mm) | in. (mm) | in. (mm) | in. (mm) | in. (mm) | in. (mm) |
| 2-STAGE LIMITED FREE-LIFT (LFL) MAST | | | | | |
| 119 (3032) | 78 (1980) | 168 (4262) | 142 (3606) | 5 (140) | 5 (140) |
| 127 (3232) | 82 (2080) | 176 (4462) | 150 (3806) | 5 (140) | 5 (140) |
| 2-STAGE FULL FREE-LIFT (FFL) MAST | | | | | |
| 118 (3018) | 78 (1980) | 168 (4262) | 143 (3613) | 29 (750) | 55 (1405) |
| 126 (3218) | 82 (2080) | 176 (4462) | 151 (3813) | 33 (850) | 59 (1505) |
| 138 (3518) | 88 (2230) | 188 (4768) | 162 (4113) | 39 (1000) | 65 (1655) |
| 3-STAGE FULL FREE-LIFT (FFL) MAST | | | | | |
| 175 (4450) | 78 (1980) | 224 (5025) | 198 (5025) | 29 (750) | 55 (1405) |
| 187 (4750) | 82 (2080) | 236 (5325) | 210 (5325) | 33 (850) | 59 (1505) |
| 192 (4900) | 84 (2130) | 238 (5375) | 212 (5375) | 35 (900) | 61 (1555) |
| 198 (5050) | 88 (2230) | 248 (5625) | 222 (5625) | 39 (1000) | 65 (1655) |
| 216 (5500) | 94 (2380) | 265 (6075) | 240 (6075) | 45 (1150) | 71 (1805) |
| 4-STAGE FULL FREE-LIFT (FFL) MAST | | | | | |
| 241 (6121) | 84 (2121) | 291 (7380) | 265 (6721) | 34 (873) | 59 (1511) |
| 259 (6578) | 90 (2273) | 309 (7837) | 283 (7179) | 40 (1025) | 65 (1663) |

FEATURES LIST - ERP030-040VT

| PERFORMANCE | STD | OPT |
|---|-----|-----|
| 36-Volt electrical system | ● | |
| AC traction and pump motors (completely brushless) | ● | |
| Transistor drive and pump control | ● | |
| Advanced VSM (Vehicle System Manager) | ● | |
| Progressive thermal management system | ● | |
| Dual drive motors | ● | |
| Wet disc brakes | ● | |
| "Zero turn radius" turning | ● | |
| 48-Volt electrical system | | ● |
| DRIVE | STD | OPT |
| Pneumatic-shaped solid drive tire and steer tire | ● | |
| Rubber cushion smooth tread drive tire and steer tire | | ● |
| LIFT | STD | OPT |
| 2-Stage limited free lift (LFL) mast with maximum fork height of 119" | ● | |
| 5° Forward / 5° back mast tilt | ● | |
| Available with 2-stage limited free lift (LFL) and 2, 3 or 4-stage full free lift (FFL) masts | | ● |
| Mast tilt option – 10° forward / 5° back | | ● |
| Mast tilt option – 5° forward / 4° back | | ● |
| Return to set tilt | | ● |
| Load weight indicator | | ● |
| HANDLING | STD | OPT |
| 38.5" wide Class II carriage with 48" high load backrest extension | ● | |
| 42" (1067mm) long forks | ● | |
| Carriage with integral sideshift | | ● |
| Carriage with integral sideshifting fork positioner | | ● |
| ERGONOMICS | STD | OPT |
| Foot directional control pedal | ● | |
| 12" Steering wheel with integral spinner knob and tilt column | ● | |
| Black, non-cinch seat belt with Emergency Locking Retractor (ELR) | ● | |
| Power assist braking | ● | |
| Auto Deceleration System (ADS) | ● | |
| Regenerative braking | ● | |
| Multifunction display | | |
| – Battery state of charge with low battery lift interrupt | | |
| – Hour meter | ● | |
| – Performance mode indicator | | |
| – Fault indicator | | |
| – 4 Operator selectable, programmable performance modes | | |
| Easy ingress / egress with low step height and contoured handhold | ● | |
| Operator convenience station | ● | |
| Adjustable tilt steering column with low profile cowl | ● | |
| Cushioned floor mat | ● | |
| Seatside power disconnect button | ● | |
| Operator Presence System (OPS) | ● | |
| Vinyl non-suspension seat | ● | |
| Hydrostatic steer system | ● | |
| Automatic park brake | ● | |
| Accutouch hydraulic mini-levers | | ● |
| Non-suspension cloth seat | | ● |
| Full-suspension seat (vinyl or cloth) | | ● |
| Full-suspension swivel seat (vinyl or cloth) | | ● |
| Seatside directional control | | ● |
| Telescopic steering column with tilt memory | | ● |
| Key switch controlled lights | | ● |
| Rear drive handle with horn button | | ● |
| Mirrors – dual side view – LH & RH OHG side mounted | | ● |
| Mirror – single panoramic – OHG mounted | | ● |
| Synchronous steering | | ● |

| ERGONOMICS CONTINUED | STD | OPT |
|---|-----|-----|
| Red, high-visibility, non-cinch seat belt with or without start interlock | | ● |
| Low mount display | | ● |
| OPERATION | STD | OPT |
| Battery compartment size | | |
| – 21.5" (ERP030VT) | ● | |
| – 25.3" (ERP035-40VT) | | |
| Lift out battery extraction | ● | |
| Standard construction | ● | |
| UL classification type "E" | ● | |
| Key switch start | ● | |
| 81.5" Grid style overhead guard | ● | |
| 3-Function hydraulic control valve with seatside mechanical levers | ● | |
| On-demand hydrostatic power-assist steering | ● | |
| Fully integrated CANbus communication | ● | |
| Static strap | ● | |
| Tow pin | ● | |
| On-board software | | |
| – Program, test & diagnose | ● | |
| – Password protected | | |
| Electronic horn with integral relay (long life / no adjustments) | ● | |
| Battery side covers | ● | |
| Side extraction battery removal with rollers | | ● |
| Rapid / fast charge | | ● |
| Application / environmental construction | | |
| – Cooler / freezer package: operating temperatures: 0° F to +120° F | | ● |
| – SubZero freezer package: operating temperatures: -40° F to +120° F | | |
| UL classification type "EE" | | ● |
| 4-Function hydraulic control valve | | ● |
| Hydraulic attachment extension tubes with or without quick disconnect fittings | | ● |
| 77.9" Flat plate overhead guard | | ● |
| 81.5" Drive-in rack grid style overhead guard | | ● |
| Keyless start (with auxiliary key switch) | | ● |
| LED and halogen work light packages | | ● |
| LED dome / reading light | | ● |
| Basic and premium LED brake / tail / back-up light packages | | ● |
| Audible alarm – reverse operation (manually adjustable to 87, 97 or 102 dB) | | ● |
| Visible amber strobe light – continuous activated, overhead guard mounted | | ● |
| Fire extinguisher – 2.5 lb dry chemical | | ● |
| Impact monitor | | ● |
| Operator password start interlock | | ● |
| Operator daily checklist | | ● |
| System monitor – hydraulic low fluid level indicator and hydraulic filter service indicator | | ● |
| Programmable maintenance reminder | | ● |
| Yale Vision | | ● |
| Yale Reliant™ | | ● |
| ENERGY SYSTEM | STD | OPT |
| Lead acid | ● | |
| Yale Power Key | | ● |
| SUPPLEMENTAL | STD | OPT |
| 36 Month / 6,000 hour powertrain warranty | ● | |
| 12 Month / 2,000 hour full truck warranty | ● | |
| Operating manual | ● | |

About Yale



Yale Lift Truck Technologies leverages over a century of material handling experience and substantial investment in innovation to bring the most advanced technology-driven lift truck solutions to market. The company offers a full line of award-winning lift trucks, including reach trucks, order pickers, turret trucks, pallet jacks and trucks, pallet stackers, tow tractors and counterbalanced forklifts, as well as powerful operator assist solutions, proven robotics and a wide range of power sources to help customers adapt to today's demanding supply chain. Yale and its independent dealer network support these solutions with comprehensive after-sales service, parts, financing and training.

MATERIALS HANDLING FOR:

Third-party logistics (3PL)

Auto parts distribution

Beverage

Cold & frozen foods

Food distribution

Food processing

Furniture & furnishings

Government

Health & pharma

Home centers & durables


Retail & e-commerce

Yale Lift Truck Technologies
P.O. Box 7367
Greenville, NC 27835-7367
U.S.A.

yale.com



EXPLORE MORE
ONLINE.
←

© 2023 Hyster-Yale Group, Inc., all rights reserved. YALE and  are trademarks of Hyster-Yale Group, Inc.

Trucks may be shown with optional equipment and/or features not available in all regions. Truck performance may be affected by the condition of the vehicle, how it is equipped and the application. Specifications are subject to change without notice. Consult your Yale® Dealer if any of the information shown is critical to your application.

CERTIFICATION: Yale lift trucks meet the design and construction requirements of B56.1-1969, per OSHA Section 1910.178(a)(2), and also comply with the B56.1 revision in effect at time of manufacture. Classified by Underwriters' Laboratories, Inc.