

ERP 2.0-3.5MXLG

Electric forklift trucks

2,000-3,500 kg



Reliability and durability

- Proven and tested structural design is ideal for indoor and outdoor working conditions
- Intensive environmental testing enables reliability and durability
- Lithium battery
 - Side charging minimises need to open battery compartment
 - Automatic heating function manages temperature recovery during discharge and before charging



Ergonomics and comfort

- Ergonomic design and optimized operator compartment improves driving experience
- Multiple seat options to suit most operator sizes
- Informative colour display including performance mode settings
- Wide view mast provides good forward visibility
- Large tire size and high ground clearance provides optimal performance on uneven ground conditions



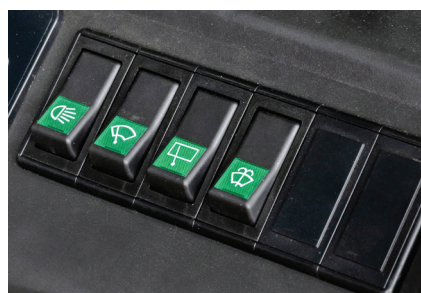
High efficiency and performance

- High efficiency permanent magnet motor and controller system
 - Provides up to 95% working efficiency
 - Reduces energy consumption by 20%
- IPX4 waterproof rating
 - Enables continuous operation in wet conditions
- BMS and controller with leakage detection system
- Permanent magnet synchronous motor delivers high efficiency

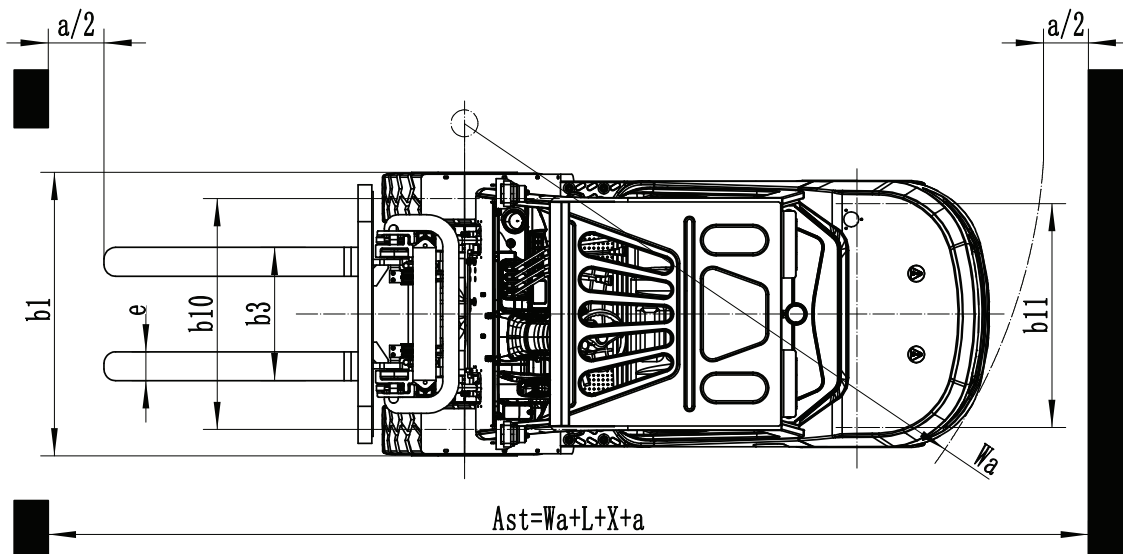
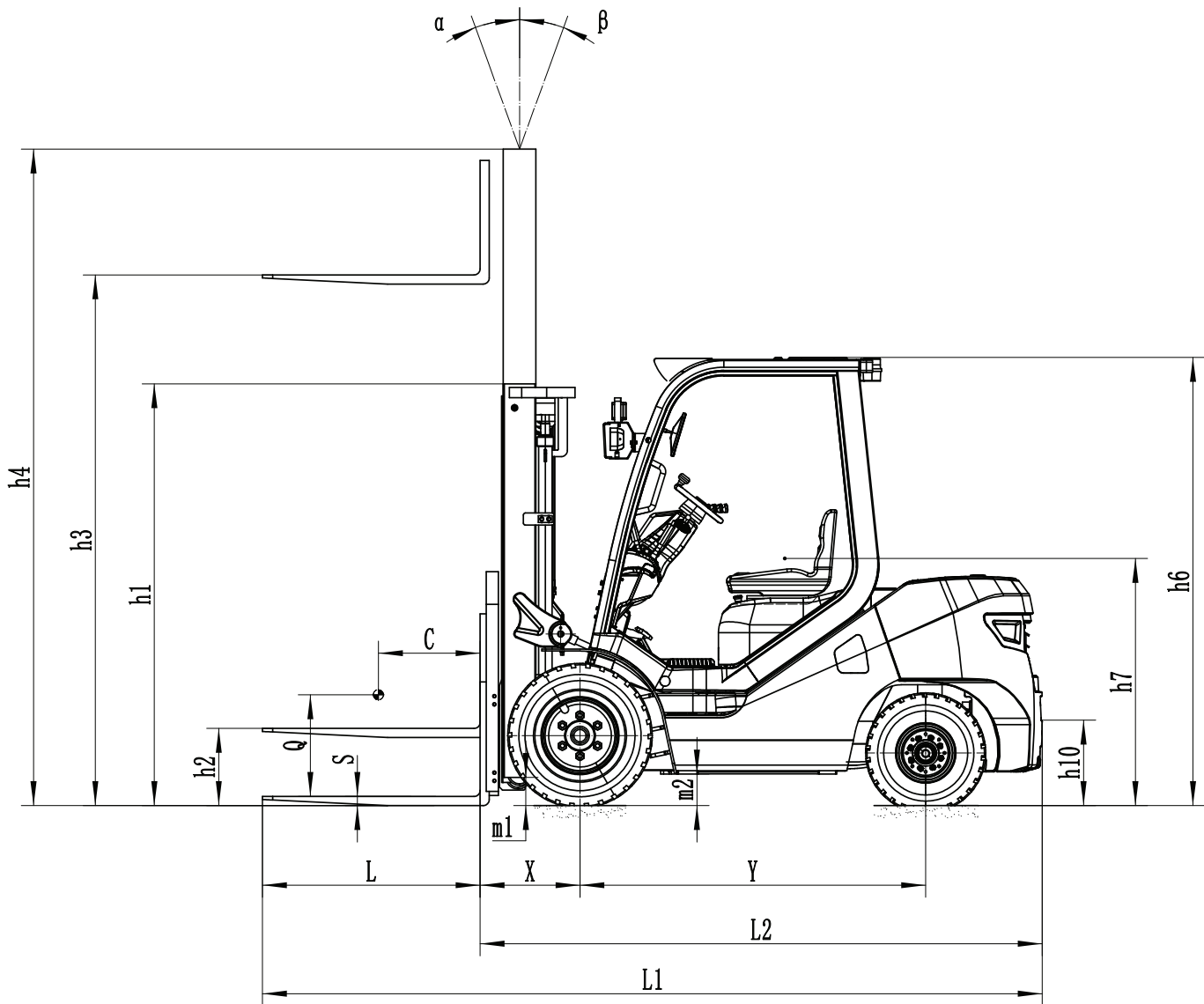


Other features

- Standard curve deceleration
- Standard energy saving bright LED lights
- Standard USB charge ports
- Standard operator presense system
- Optional dual wheels
- Optional wet brake axle
- Optional automatic park brake
- Optional telemetry
- Optional minilevers



TRUCK DIMENSIONS



ERP2.0-2.5MXLG SPECIFICATIONS

		Yale						
DISTINGUISHING MARK	1.1	Manufacturer						
	1.2	Model designation	ERP2.0MXLG		ERP2.5MXLG			
	1.3	Drive: electric(battery or mains), diesel, petrol, fuel gas	Electric		Electric			
	1.4	Operator type: hand, pedestrian, standing, seated, order-picker	Seat		Seat			
	1.5	Rated capacity/rated load	Q (kg)	2000		2500		
	1.6	Load centre distance	c (mm)	500		500		
	1.8	Load distance, centre of drive axle to fork	x (mm)	476		476		
	1.9	Wheelbase (with mast vertical)	y (mm)	1600		1600		
	WEIGHT	2.1	Service weight	kg	3515	3645	3775	3905
2.2		Axle loading, laden front/rear	kg	4865/650	4980/665	5535/740	5650/755	
2.3		Axle loading, unladen front/rear	kg	1355/2160	1400/2245	1470/2305	1520/2385	
TYRES/CHASSIS	3.1	Tyres: Solid rubber, superelastic, pneumatic, polyurethane	Pneumatic		Pneumatic			
	3.2	Tyre size, front	7.00-12-12PR		7.00-12-12PR			
	3.3	Tyre size, rear	6.00-9-10PR		6.00-9-10PR			
	3.5	Wheels, number front/rear	2/2		2/2			
	3.6	Tread, front	b10 (mm)	970		970		
	3.7	Tread, rear	b11 (mm)	980		980		
	DIMENSIONS	4.1	Tilt of mast/fork carriage, forward/backward	α / β (°)	6/12		6/12	
4.2		Height, mast lowered	h1 (mm)	2010		2010		
4.3		Free lift	h2 (mm)	160		160		
4.4		Lift	h3 (mm)	3000		3000		
4.5		Height, mast extended	h4 (mm)	3990		3990		
4.7		Height of overhead guard (cabin)	h6 (mm)	2180		2180		
4.8		Seat height/stand height	h7 (mm)	1190		1190		
4.12		Towing coupling height	h10 (mm)	250		250		
4.19		Overall length	l1 (mm)	3630		3692		
4.20		Length to face of forks	l2 (mm)	2560		2622		
4.21		Overall width	b1 (mm)	1160		1160		
4.22		Fork dimensions ISO2331	s/e/l (mm)	40/122/1070		40/122/1070		
4.23		Fork carriage ISO 2328. Class/type, A/B		IIA		IIA		
4.24		Fork carriage width	b3 (mm)	1040		1040		
4.31		Ground clearance, laden, below mast	m1 (mm)	125		125		
4.32		Ground clearance, centre of wheelbase	m2 (mm)	130		130		
4.33		Load dimension b12 x l6 crossways	b12 x l6 (mm)	1000*1000		1000*1000		
4.34.1		Aisle width with pallets 1000mm x 1200mm crossways	Ast (mm)	4172		4226		
4.35		Turning radius	Wa (mm)	2290		2350		
4.36		Inner turning radius	b13 (mm)	745		745		
PERFORMANCE DATA	5.1	Travel speed, laden/unladen	km/h	15/15	19/19	15/15	19/19	
	5.1.1	Travel speed, laden/unladen, backwards	km/h	12/12	16/16	12/12	16/16	
	5.2	Lifting speed, laden/unladen	mm/s	400/430	510/540	400/430	510/540	
	5.3	Lowering speed laden/unladen	mm/s	420/500		420/500		
	5.5	Drawbar pull laden/unladen	N	16000/13000	19000/15000	17000/15000	23000/16000	
	5.8	Maximum gradeability, laden/unladen	%	15/15	20/20	15/15	20/20	
	5.9	Acceleration time, laden/unladen 15m	sec	5.6/5.5		5.6/5.5		
	5.10	Service brake		Hydraulic		Hydraulic		
	ELECTRIC ENGINE	6.1	Drive motor rating S2 60 min	Kw	15	21.6	15	21.6
		6.2	Lift motor rating at S3 15 %	Kw	15	22.6	15	22.6
6.3		Battery according to DIN 43531/35/36 A, B, C, no		no		no		
6.4		Battery voltage/nominal capacity K5	(V)/(Ah)	115.2V/228Ah	153.6V/228Ah	115.2V/228Ah	153.6V/228Ah	
6.5		Battery weight	kg	235	330	235	330	
6.6		Energy consumption according to VDI cycle	kWh/h	6.32	7	6.32	7	
6.7		Turnover output	t/h	180	210	180	210	
6.8		Energy consumption at turnover output	kWh in 1 h	7.76	7.14	7.76	7.14	
ADDITIONAL DATA	8.1	Type of drive unit		PM AC		PM AC		
	10.1	Operating pressure for attachments	bar	140		140		
	10.2	Oil volume for attachments	l/min	64		64		
	10.7	Sound pressure level at the driver's seat	dB (A)	64	66	64	66	
	10.7.1	Sound power level during the workcycle	dB (A)	82	81	82	81	
	10.8	Towing coupling, type DIN		PIN		PIN		

ERP3.0-3.5MXLG SPECIFICATIONS

DISTINGUISHING MARK			Yale					
			ERP3.0MXLG		ERP3.5MXLG			
1.1	Manufacturer		Yale					
1.2	Model designation		ERP3.0MXLG		ERP3.5MXLG			
1.3	Drive: electric(battery or mains), diesel, petrol, fuel gas		Electric		Electric			
1.4	Operator type: hand, pedestrian, standing, seated, order-picker		Seat		Seat			
1.5	Rated capacity/rated load	Q (kg)	3000		500			
1.6	Load centre distance	c (mm)	500		500			
1.8	Load distance, centre of drive axle to fork	x (mm)	491		510			
1.9	Wheelbase (with mast vertical)	y (mm)	1700		1700			
WEIGHT	2.1	Service weight	kg	4275	4330	4675	4730	
	2.2	Axle loading, laden front/rear	kg	6416/859	6465/865	7210/965	7260/970	
	2.3	Axle loading, unladen front/rear	kg	1710/2565	1732/2598	1846/2829	1868/2862	
TYRES/CHASSIS	3.1	Tyres: Solid rubber, superelastic, pneumatic, polyurethane		Pneumatic		Pneumatic		
	3.2	Tyre size, front		28x9-15-14PR		28x9-15-14PR		
	3.3	Tyre size, rear		6.50-10-10PR		6.50-10-10PR		
	3.5	Wheels, number front/rear		2/2		2/2		
	3.6	Tread, front	b10 (mm)	1000		1000		
	3.7	Tread, rear	b11 (mm)	970		970		
	DIMENSIONS	4.1	Tilt of mast/fork carriage, forward/backward	α / β (°)	6/12		6/12	
4.2		Height, mast lowered	h1 (mm)	2150		2150		
4.3		Free lift	h2 (mm)	165		170		
4.4		Lift	h3 (mm)	3000		3000		
4.5		Height, mast extended	h4 (mm)	4100		4100		
4.7		Height of overhead guard (cabin)	h6 (mm)	2205		2205		
4.8		Seat height/stand height	h7 (mm)	1215		1215		
4.12		Towing coupling height	h10 (mm)	260		260		
4.19		Overall length	l1 (mm)	3763		3853		
4.20		Length to face of forks	l2 (mm)	2693		2783		
4.21		Overall width	b1 (mm)	1228		1228		
4.22		Fork dimensions ISO2331	s/e/l (mm)	45/122/1070		50/122/1070		
4.23		Fork carriage ISO 2328. Class/type, A/B		IIA		IIA		
4.24		Fork carriage width	b3 (mm)	1100		1100		
4.31		Ground clearance, laden, below mast	m1 (mm)	140		140		
4.32		Ground clearance, centre of wheelbase	m2 (mm)	155		155		
4.33		Load dimension b12 x l6 crossways	b12 x l6 (mm)	1000*1000		1000*1000		
4.34.1		Aisle width with pallets 1000mm x 1200mm crossways	Ast (mm)	4336		4425		
4.35		Turning radius	Wa (mm)	2430		2500		
4.36		Inner turning radius	b13 (mm)	823		823		
PERFORMANCE DATA	5.1	Travel speed, laden/unladen	km/h	15/15	19/19	15/15	19/19	
	5.1.1	Travel speed, laden/unladen, backwards	km/h	12/12	16/16	12/12	16/16	
	5.2	Lifting speed, laden/unladen	mm/s	350/380	430/500	350/380	430/500	
	5.3	Lowering speed laden/unladen	mm/s	420/500		420/500		
	5.5	Drawbar pull laden/unladen	N	19000/16000	26000/17000	19000/16000	27000/17000	
	5.8	Maximum gradeability, laden/unladen	%	15/15	20/20	15/15	20/20	
	5.9	Acceleration time, laden/unladen 15m	sec	5.6/5.5		5.6/5.5		
	5.10	Service brake		Hydraulic		Hydraulic		
	ELECTRIC ENGINE	6.1	Drive motor rating S2 60 min	Kw	15	21.6	15	21.6
		6.2	Lift motor rating at S3 15 %	Kw	15	22.6	15	22.6
6.3		Battery according to DIN 43531/35/36 A, B, C, no		no		no		
6.4		Battery voltage/nominal capacity K5	(V)/(Ah)	115.2V/228Ah	153.6V/228Ah	115.2V/228Ah	153.6V/228Ah	
6.5		Battery weight	kg	235	330	235	330	
6.6		Energy consumption according to VDI cycle	kWh/h	6.32	7	6.32	7	
6.7		Turnover output	t/h	180	210	180	210	
6.8		Energy consumption at turnover output	kWh in 1 h	7.76	7.14	7.76	7.14	
ADDITIONAL DATA	8.1	Type of drive unit		PM AC		PM AC		
	10.1	Operating pressure for attachments	bar	140		140		
	10.2	Oil volume for attachments	l/min	64		64		
	10.7	Sound pressure level at the driver's seat	dB (A)	64	66	64	66	
	10.7.1	Sound power level during the workcycle	dB (A)	82	81	82	81	
	10.8	Towing coupling, type DIN		PIN		PIN		

ERP2.0MXLG MAST DIMENSIONS

Maximum fork height (mm)	Mast tilt		Lowered height (mm)	Overall extended height without LBR (mm)	Overall extended height with LBR (mm)	Free lift		ERP2.0MXLG without sideshift			
	Forward tilt (°)	Back tilt (°)				Without LBR (mm)	With LBR (mm)	Solid tyres		Pneumatic tyres	
								500 mm LC (kg)	600 mm LC (kg)	500 mm LC (kg)	600 mm LC (kg)
2-STAGE LIMITED FREE-LIFT (LFL) MAST											
3000	6	12	2010	3575	3990	160	160	2000	1800	2000	1800
4000	6	6	2560	4575	4990	160	160	2000	1800	2000	1800
4500	6	6	2810	5075	5490	160	160	1900	1710	1850	1710
5000	6	6	3060	5575	5990	160	160	1800	1620	1590	1550
5500	3	6	3360	6075	6490	160	160	1690	1520	1150	1130
6000	3	6	3610	6575	6990	160	160	1520	1400	870	860
2-STAGE FULL FREE-LIFT (FFL) MAST											
3000	6	12	2010	3590	3990	1420	1020	2000	1800	2000	1800
3-STAGE FULL FREE-LIFT (FFL) MAST											
4500	6	6	2060	5017	5490	1440	1070	1900	1730	1830	1730
4800	6	6	2160	5317	5790	1540	1170	1840	1670	1710	1660
5500	3	6	2425	6017	6490	1800	1430	1670	1510	1110	1110
6000	3	6	2610	6517	6990	1990	1620	1430	1390	850	850
6500	3	6	2825	7017	7490	2215	1835	1170	1170	610	610

ERP2.5MXLG MAST DIMENSIONS

Maximum fork height (mm)	Mast tilt		Lowered height (mm)	Overall extended height without LBR (mm)	Overall extended height with LBR (mm)	Free lift		ERP2.5MXLG without sideshift			
	Forward tilt (°)	Back tilt (°)				Without LBR (mm)	With LBR (mm)	Solid tyres		Pneumatic tyres	
								500 mm LC (kg)	600 mm LC (kg)	500 mm LC (kg)	600 mm LC (kg)
2-STAGE LIMITED FREE-LIFT (LFL) MAST											
3000	6	12	2010	3575	3990	160	160	2500	2300	2500	2300
4000	6	6	2560	4575	4990	160	160	2500	2300	2500	2300
4500	6	6	2810	5075	5490	160	160	2390	2200	2080	2010
5000	6	6	3060	5575	5990	160	160	2270	2090	1810	1760
5500	3	6	3360	6075	6490	160	160	1860	1840	1350	1320
6000	3	6	3610	6575	6990	160	160	1500	1480	1040	1030
2-STAGE FULL FREE-LIFT (FFL) MAST											
3000	6	12	2010	3590	3990	1420	1020	2500	2300	2500	2300
3-STAGE FULL FREE-LIFT (FFL) MAST											
4500	6	6	2060	5017	5490	1440	1070	2340	2120	2020	1990
4800	6	6	2160	5317	5790	1540	1170	2270	2060	1890	1870
5500	3	6	2425	6017	6490	1800	1430	1710	1710	1280	1280
6000	3	6	2610	6517	6990	1990	1620	1410	1410	1010	1010
6500	3	6	2825	7017	7490	2215	1835	1120	1150	740	740

ERP3.0MXLG MAST DIMENSIONS

Maximum fork height (mm)	Mast tilt		Lowered height (mm)	Overall extended height without LBR (mm)	Overall extended height with LBR (mm)	Free lift		ERP3.0MXLG without sideshift			
	Forward tilt (°)	Back tilt (°)				Without LBR (mm)	With LBR (mm)	Solid tyres		Pneumatic tyres	
								500 mm LC (kg)	600 mm LC (kg)	500 mm LC (kg)	600 mm LC (kg)
2-STAGE LIMITED FREE-LIFT (LFL) MAST											
3000	6	12	2010	3575	3990	160	160	3000	2910	3000	2910
4000	6	6	2560	4575	4990	160	160	3000	2850	3000	2780
4500	6	6	2810	5075	5490	160	160	2860	2660	2750	2580
5000	6	6	3060	5575	5990	160	160	2760	2570	2420	2350
5500	3	6	3360	6075	6490	160	160	2340	2290	1920	1870
6000	3	6	3610	6575	6990	160	160	1800	1760	1380	1360
2-STAGE FULL FREE-LIFT (FFL) MAST											
3000	6	12	2010	3590	3990	1420	1020	3000	2900	3000	2900
3-STAGE FULL FREE-LIFT (FFL) MAST											
4500	6	6	2060	5017	5490	1440	1070	2790	2540	2680	2540
4800	6	6	2160	5317	5790	1540	1170	2720	2470	2610	2470
5500	3	6	2425	6017	6490	1800	1430	2190	2190	1860	1860
6000	3	6	2610	6517	6990	1990	1620	1630	1630	1280	1280
6500	3	6	2825	7017	7490	2215	1835	1220	1220	820	820

ERP3.5MXLG MAST DIMENSIONS

Maximum fork height (mm)	Mast tilt		Lowered height (mm)	Overall extended height without LBR (mm)	Overall extended height with LBR (mm)	Free lift		ERP3.5MXLG without sideshift			
	Forward tilt (°)	Back tilt (°)				Without LBR (mm)	With LBR (mm)	Solid tyres		Pneumatic tyres	
								500 mm LC (kg)	600 mm LC (kg)	500 mm LC (kg)	600 mm LC (kg)
2-STAGE LIMITED FREE-LIFT (LFL) MAST											
3000	6	12	2010	3575	3990	160	160	3500	3450	3500	3450
4000	6	6	2560	4575	4990	160	160	3500	3320	3310	3080
4500	6	6	2810	5075	5490	160	160	3380	3210	2960	2780
5000	6	6	3060	5575	5990	160	160	2980	2810	2470	2320
5500	3	6	3360	6075	6490	160	160	2430	2290	1950	1840
6000	3	6	3610	6575	6990	160	160	1980	1870	1520	1440
2-STAGE FULL FREE-LIFT (FFL) MAST											
3000	6	12	2010	3590	3990	1420	1020	3500	3440	3500	3440
3-STAGE FULL FREE-LIFT (FFL) MAST											
4500	6	6	2060	5017	5490	1440	1070	3270	2970	2870	2810
4800	6	6	2160	5317	5790	1540	1170	3090	2900	2630	2590
5500	3	6	2425	6017	6490	1800	1430	2350	2310	1920	1880
6000	3	6	2610	6517	6990	1990	1620	1880	1860	1450	1430
6500	3	6	2825	7017	7490	2215	1835	1410	1400	920	920

Note: For integral sideshift deduct 50kg from stated capacity, all ratings with 1070 mm forks, dual tyre capacities available upon request

About Yale


Yale Lift Truck Technologies leverages over a century of material handling experience and substantial investment in innovation to bring the most advanced technology-driven lift truck solutions to market. The company offers a full line of award-winning lift trucks, including reach trucks, order pickers, turret trucks, pallet jacks and trucks, pallet stackers, tow tractors and counterbalanced forklifts, as well as powerful operator assist solutions, proven robotics and a wide range of power sources to help customers adapt to today's demanding supply chain. Yale and its independent dealer network support these solutions with comprehensive after-sales service, parts, financing and training.

Yale Lift Truck Technologies is a trading name of Hyster-Yale Asia-Pacific Pty Ltd., a wholly owned subsidiary of Hyster-Yale Materials Handling, Inc.(NYSE:HY) which is headquartered in Cleveland, Ohio and operates globally.

Yale Lift Truck Technologies | Pacific
1/23 Rowood Road
Prospect NSW 2148

Yale Lift Truck Technologies | Asia
2 Venture Drive
#23-28 Vision Exchange
Singapore 608526

yale.com

© 2024 Hyster-Yale Group, Inc., all rights reserved. YALE and  are trademarks of Hyster-Yale Group, Inc. Trucks may be shown with optional equipment and/or features not available in all regions. Specifications and details in this brochure are subject to change without prior notification.



MATERIALS HANDLING FOR:

Third-party logistics (3PL)

Auto parts distribution

Beverage

Cold & frozen foods

Food distribution

Food processing

Furniture & furnishings

Government

Health & pharma

Home centers & durables

Retail & e-commerce