

ERP 4.0-5.0MXLG

Electric forklift trucks

2,000-5,000 kg



Reliability and durability

- Proven and tested structural design is ideal for indoor and outdoor working conditions
- Intensive environmental testing enables reliability and durability
- Water cooled motors and controllers to maintain optimal operating temperatures
- Lithium battery
 - Side charging minimises need to open battery compartment
 - Automatic heating function manages temperature recovery during discharge and before charging



Ergonomics and comfort

- Ergonomic design and optimized operator compartment improves driving experience
- Multiple seat options to suit most operator sizes
- Informative colour display including performance mode settings
- Wide view mast provides good forward visibility
- Large tire size and high ground clearance provides optimal performance on uneven ground conditions



High efficiency and performance

- High efficiency permanent magnet motor and controller system
 - Provides up to 95% working efficiency
 - Reduces energy consumption by 20%
- IPX4 waterproof rating
 - Enables continuous operation in wet conditions
- BMS and controller with leakage detection system
- Permanent magnet synchronous motor delivers high efficiency

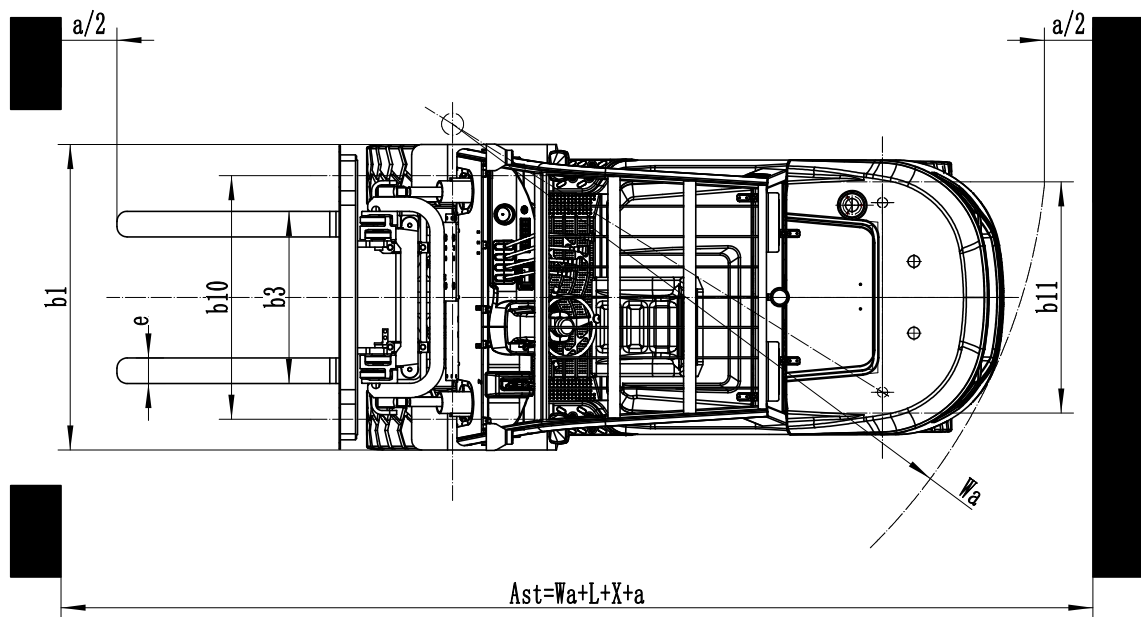
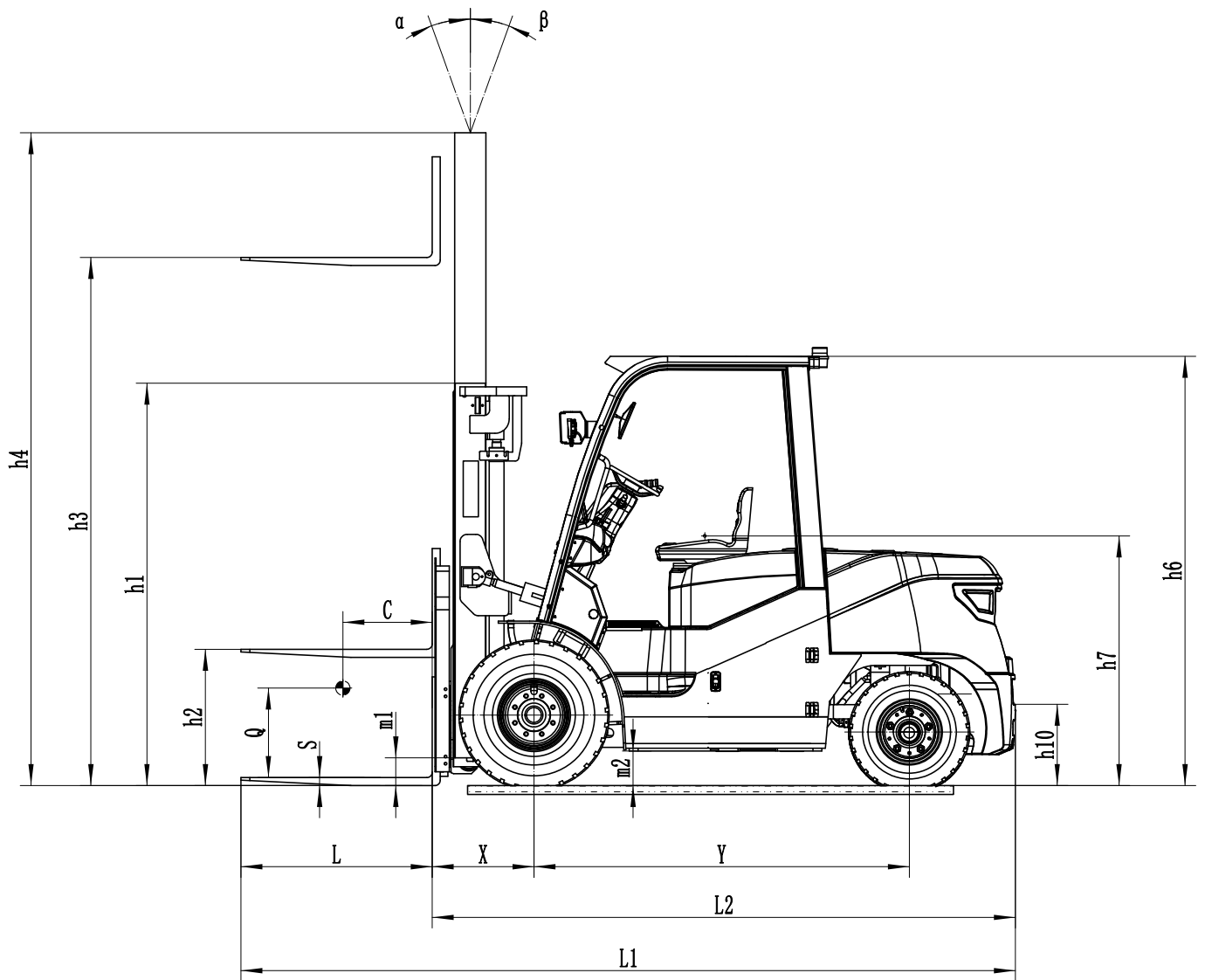


Other features

- Standard curve deceleration
- Standard energy saving bright LED lights
- Standard USB charge ports
- Standard operator presence system
- Optional dual wheels
- Optional wet brake axle
- Optional automatic park brake
- Optional telemetry
- Optional minilevers



TRUCK DIMENSIONS



ERP4.0-4.5MXLG SPECIFICATIONS

			Yale		
			ERP4.0MXLG	ERP4.5MXLG	
DISTINGUISHING MARK	1.1	Manufacturer			
	1.2	Model designation	ERP4.0MXLG	ERP4.5MXLG	
	1.3	Drive: electric(battery or mains), diesel, petrol, fuel gas	Electric	Electric	
	1.4	Operator type: hand, pedestrian, standing, seated, order-picker	Seat	Seat	
	1.5	Rated capacity/rated load	Q (kg)	4000	4500
	1.6	Load centre distance	c (mm)	500	500
	1.8	Load distance, centre of drive axle to fork	x (mm)	575	575
	1.9	Wheelbase (with mast vertical)	y (mm)	2100	2100
	WEIGHT	2.1	Service weight	kg	6515
2.2		Axle loading, laden front/rear	kg	9253/1262	9900/1350
2.3		Axle loading, unladen front/rear	kg	2932/3583	3100/3650
TYRES/CHASSIS	3.1	Tyres: Solid rubber, superelastic, pneumatic, polyurethane		Pneumatic	Pneumatic
	3.2	Tyre size, front		300-15-18PR	300-15-18PR
	3.3	Tyre size, rear		7.00-12-12PR	7.00-12-12PR
	3.5	Wheels, number front/rear		2x2	2x2
	3.6	Tread, front	b10 (mm)	1190	1190
	3.7	Tread, rear	b11 (mm)	1130	1130
	DIMENSIONS	4.1	Tilt of mast/fork carriage, forward/backward	α / β (°)	6/12
4.2		Height, mast lowered	h1 (mm)	2250	2250
4.3		Free lift	h2 (mm)	150	150
4.4		Lift	h3 (mm)	3000	3000
4.5		Height, mast extended	h4 (mm)	4260	4260
4.7		Height of overhead guard (cabin)	h6 (mm)	2250 (2400)	2250 (2400)
4.8		Seat height/stand height	h7 (mm)	1350	1350
4.12		Towing coupling height	h10 (mm)	340	340
4.19		Overall length	l1 (mm)	4280	4280
4.20		Length to face of forks	l2 (mm)	3210	3210
4.21		Overall width	b1 (mm)	1490/1924	1490/1924
4.22		Fork dimensions ISO2331	s/e/l (mm)	50/150/1070	50/150/1070
4.23		Fork carriage ISO 2328. Class/type, A/B		ISO 3A	ISO 3A
4.24		Fork carriage width	b3 (mm)	1380	1380
4.31		Ground clearance, laden, below mast	m1 (mm)	130	130
4.32		Ground clearance, centre of wheelbase	m2 (mm)	186	186
4.33		Load dimension b12 x l6 crossways	b12 x l6 (mm)	1000x1000	1000x1000
4.34.1		Aisle width with pallets 1000mm x 1200mm crossways	Ast (mm)	4825	4825
4.35		Turning radius	Wa (mm)	2850	2850
4.36		Inner turning radius	b13 (mm)	845	845
PERFORMANCE DATA	5.1	Travel speed, laden/unladen	km/h	18/18	18/18
	5.1.1	Travel speed, laden/unladen, backwards	km/h	18/18	18/18
	5.2	Lifting speed, laden/unladen	mm/s	400/480	400/480
	5.3	Lowering speed laden/unladen	mm/s	480/500	480/500
	5.5	Drawbar pull laden/unladen	N	33000/25000	33000/25000
	5.8	Maximum gradeability, laden/unladen	%	20/25	20/25
	5.9	Acceleration time, laden/unladen 15m	sec	6.1/5.14	6.1/5.14
	5.10	Service brake		Hydraulic	Hydraulic
ELECTRIC ENGINE	6.1	Drive motor rating S2 60 min	Kw	30KW/2400rpm	30KW/2400rpm
	6.2	Lift motor rating at S3 15 %	Kw	25KW	25KW
	6.3	Battery according to DIN 43531/35/36 A, B, C, no		No	No
	6.4	Battery voltage/nominal capacity K5	(V)/(Ah)	153.6V/302Ah	153.6V/302Ah
	6.5	Battery weight	kg	420	420
	6.6	Energy consumption according to VDI cycle	kWh/h	13.29	13.29
	6.7	Turnover output	t/h	161	161
	6.8	Energy consumption at turnover output	kWh in 1 h	8.4	8.4
8.1	Type of drive unit		PM AC	PM AC	
ADDITIONAL DATA	10.1	Operating pressure for attachments	bar	195	195
	10.2	Oil volume for attachments	l/min	70	70
	10.7	Sound pressure level at the driver's seat	dB (A)	69.4	69.4
	10.7.1	Sound power level during the workcycle	dB (A)	86.2	86.2
	10.8	Towing coupling, type DIN		PIN	PIN

ERP5.0MXLG(S6) SPECIFICATIONS

DISTINGUISHING MARK			Yale		
			ERP5.0MXLG	ERP5.0MXLG(S6)	
1.1	Manufacturer				
1.2	Model designation		ERP5.0MXLG	ERP5.0MXLG(S6)	
1.3	Drive: electric(battery or mains), diesel, petrol, fuel gas		Electric	Electric	
1.4	Operator type: hand, pedestrian, standing, seated, order-picker		Seat	Seat	
1.5	Rated capacity/rated load	Q (kg)	5000	5000	
1.6	Load centre distance	c (mm)	500	600	
1.8	Load distance, centre of drive axle to fork	x (mm)	580	580	
1.9	Wheelbase (with mast vertical)	y (mm)	2100	2100	
WEIGHT	2.1	Service weight	kg	7135	7385
	2.2	Axle loading, laden front/rear	kg	10707/1428	10899/1486
	2.3	Axle loading, unladen front/rear	kg	3135/4000	3323/4062
TYRES/CHASSIS	3.1	Tyres: Solid rubber, superelastic, pneumatic, polyurethane		Pneumatic	Pneumatic
	3.2	Tyre size, front		300-15-18PR	300-15-18PR
	3.3	Tyre size, rear		7.00-12-12PR	7.00-12-14PR
	3.5	Wheels, number front/rear		2x2	2X2
	3.6	Tread, front	b10 (mm)	1190	1190
	3.7	Tread, rear	b11 (mm)	1130	1130
	DIMENSIONS	4.1	Tilt of mast/fork carriage, forward/backward	α / β (°)	6/12
4.2		Height, mast lowered	h1 (mm)	2250	2250
4.3		Free lift	h2 (mm)	155	160
4.4		Lift	h3 (mm)	3000	3000
4.5		Height, mast extended	h4 (mm)	4260	4420
4.7		Height of overhead guard (cabin)	h6 (mm)	2250 (2400)	2250 (2400)
4.8		Seat height/stand height	h7 (mm)	1350	1350
4.12		Towing coupling height	h10 (mm)	340	340
4.19		Overall length	l1 (mm)	4345	4530
4.20		Length to face of forks	l2 (mm)	3275	3310
4.21		Overall width	b1 (mm)	1490/1924	1490/1924
4.22		Fork dimensions ISO2331	s/e/l (mm)	50/150/1070	60/150/1220
4.23		Fork carriage ISO 2328. Class/type, A/B		ISO 3A	ISO 4A
4.24		Fork carriage width	b3 (mm)	1380	1380
4.31		Ground clearance, laden, below mast	m1 (mm)	130	130
4.32		Ground clearance, centre of wheelbase	m2 (mm)	186	186
4.33		Load dimension b12 x l6 crossways	b12 x l6 (mm)	1000x1000	1000x1000
4.34.1		Aisle width with pallets 1000mm x 1200mm crossways	Ast (mm)	4885	4935
4.35		Turning radius	Wa (mm)	2905	2930
4.36		Inner turning radius	b13 (mm)	845	845
PERFORMANCE DATA	5.1	Travel speed, laden/unladen	km/h	18/18	18/18
	5.1.1	Travel speed, laden/unladen, backwards	km/h	18/18	18/18
	5.2	Lifting speed, laden/unladen	mm/s	400/480	400/480
	5.3	Lowering speed laden/unladen	mm/s	480/500	480/500
	5.5	Drawbar pull laden/unladen	N	33000/25000	33000/25000
	5.8	Maximum gradeability, laden/unladen	%	20/25	20/25
	5.9	Acceleration time, laden/unladen 15m	sec	6.1/5.14	6.1/5.14
	5.10	Service brake		Hydraulic	Hydraulic
ELECTRIC ENGINE	6.1	Drive motor rating S2 60 min	Kw	30KW/2400rpm	30KW/2400rpm
	6.2	Lift motor rating at S3 15 %	Kw	25KW	25KW
	6.3	Battery according to DIN 43531/35/36 A, B, C, no		No	No
	6.4	Battery voltage/nominal capacity K5	(V)/(Ah)	153.6V/302Ah	153.6V/302Ah
	6.5	Battery weight	kg	420	420
	6.6	Energy consumption according to VDI cycle	kWh/h	13.29	13.29
	6.7	Turnover output	t/h	161	161
	6.8	Energy consumption at turnover output	kWh in 1 h	8.4	8.4
8.1	Type of drive unit		PM AC	PM AC	
ADDITIONAL DATA	10.1	Operating pressure for attachments	bar	195	195
	10.2	Oil volume for attachments	l/min	70	70
	10.7	Sound pressure level at the driver's seat	dB (A)	69.4	69.4
	10.7.1	Sound power level during the workcycle	dB (A)	86.2	86.2
	10.8	Towing coupling, type DIN		PIN	PIN

ERP4.0-5.0MXLG MAST DIMENSIONS

Maximum fork height	Overall extended height						Free lift				Load distance		Mast tilt		Capacity 500mm load centre Front single tyre			Mast weight	
	Lowered height		Without LBR		With LBR		Without LBR		With LBR						4.0T	4.5T	mini 5T		
	4.0-4.5T	5.0T	4.0-4.5T	5.0T	4.0-4.5T	5.0T	4.0-4.5T	5.0T	4.0-4.5T	5.0T	4.0-4.5T	5.0T	Forward	Back	(kg)	(kg)	(kg)	4-4.5T	mini5T
(mm)	(mm)	(mm)	(mm)	(mm)	(mm)	(mm)	(mm)	(mm)	(mm)	(mm)	(mm)	(mm)	(°)	(°)	(kg)	(kg)	(kg)	(kg)	(kg)

2-STAGE LIMITED FREE-LIFT (LFL) MAST

3000	2250	2250	3855	3855	4260	4260	150	155	150	155	575	580	6	12	4000	4500	5000	1310	1325
3300	2400	2400	4155	4155	4560	4560	150	155	150	155	575	580	6	12	4000	4500	5000	1335	1350
3500	2500	2500	4355	4355	4760	4760	150	155	150	155	575	580	6	12	4000	4500	5000	1360	1375
3700	2600	2600	4605	4605	5010	5010	150	155	150	155	575	580	6	12	4000	4500	5000	1370	1385
4000	2800	2800	4855	4855	5260	5260	150	155	150	155	575	580	6	12	3790	4360	4940	1420	1435
4500	3050	3050	5355	5355	5760	5760	150	155	150	155	575	580	6	6	3600	4140	4760	1490	1505
5000	3300	3300	5855	5855	6260	6260	150	155	150	155	575	580	6	6	3070	3570	4140	1540	1555
5500	3600	3600	6355	6355	6760	6760	150	155	150	155	575	580	3	6	2600	3080	3630	1630	1645
6000	3850	3850	6855	6855	7260	7260	150	155	150	155	575	580	3	6	2180	2640	3150	1680	1695

2-STAGE FULL FREE-LIFT (FFL) MAST

3000	2250	2250	3855	3855	4250	4250	1425	1430	1030	585	590	6	12	4000	4500	5000	1420	1435
3300	2400	2400	4155	4155	4550	4550	1575	1580	1180	585	590	6	12	4000	4500	5000	1430	1465
3500	2500	2500	4355	4355	4750	4750	1675	1680	1280	585	590	6	12	4000	4500	5000	1470	1485
3750	2625	2625	4605	4605	5000	5000	1800	1805	1405	585	590	6	12	4000	4500	5000	1500	1515
4000	2800	2800	4855	4855	5250	5250	1975	1980	1580	585	590	6	12	3740	4290	4900	1540	1555

3-STAGE FULL FREE-LIFT (FFL) MAST

4000	2110	2110	4880	4880	5265	5265	1275	1280	885	630	635	6	6	3710	4120	4550	1760	1775
4350	2235	2235	5230	5230	5615	5615	1395	1400	1010	630	635	6	6	3410	3790	4310	1800	1815
4500	2285	2285	5385	5385	5770	5770	1450	1455	1060	630	635	6	6	3280	3650	4160	1820	1835
4800	2385	2385	5685	5685	6070	6070	1545	1550	1160	630	635	6	6	3020	3380	3870	1860	1875
5000	2485	2485	5880	5880	6265	6265	1645	1650	1260	630	635	6	6	2890	3260	3730	1900	1915
5400	2610	2610	6275	6275	6660	6660	1770	1775	1385	630	635	3	6	2550	2910	3350	1940	1955
6000	2850	2850	6875	6875	7260	7260	2010	2015	1625	630	635	3	6	2160	2510	2930	2090	2105
6500	3050	3050	7375	7375	7760	7760	2210	2215	1825	630	635	3	6	1870	2210	2620	2240	2255

ERP5.0MXLG(S6) MAST DIMENSIONS

Maximum fork height	Overall extended height			Free lift			Load distance	Mast tilt		Capacity 600mm load centre			Mast weight
	Lowered height		With LBR	Without LBR		With LBR				Front single pneu tyres	Front dual pneu tyres		
	5T @ 600mm	5T @ 600mm	5T @ 600mm	5T @ 600mm	5T @ 600mm	5T @ 600mm	5T @ 600mm	Forward	Back	5T @ 600mm	5T @ 600mm	5T @ 600mm	
(mm)	(mm)	(mm)	(mm)	(mm)	(mm)	(mm)	(mm)	(°)	(°)	(kg)	(kg)	(kg)	

2-STAGE LIMITED FREE-LIFT (LFL) MAST

3000	2250	3855	4420	160	160	585	6	12	5000	5000	1440
3300	2400	4155	4720	160	160	585	6	12	5000	5000	1465
3500	2500	4355	4920	160	160	585	6	12	5000	5000	1490
3700	2600	4605	5170	160	160	585	6	12	5000	5000	1500
4000	2800	4855	5420	160	160	585	6	12	4880	5000	1550
4500	3050	5355	5920	160	160	585	6	6	4610	4550	1620
5000	3300	5855	6420	160	160	585	6	6	4030	3750	1670
5500	3600	6355	6920	160	160	585	3	6	3550	3350	1760
6000	3850	6855	7420	160	160	585	3	6	3080	2950	1810

2-STAGE FULL FREE-LIFT (FFL) MAST

3000	2250	3855	4410	1435	875	595	6	12	5000	5000	1550
3300	2400	4155	4710	1585	1025	595	6	12	5000	5000	1580
3500	2500	4355	4910	1685	1125	595	6	12	5000	5000	1600
3750	2625	4605	5160	1810	1250	595	6	12	5000	5000	1630
4000	2800	4855	5410	1985	1425	595	6	12	4770	5000	1670

3-STAGE FULL FREE-LIFT (FFL) MAST

4000	2110	4880	5425	1285	735	640	6	6	4560	4750	1890
4350	2235	5230	5775	1405	860	640	6	6	4200	4500	1930
4500	2285	5385	5930	1460	910	640	6	6	4050	4250	1950
4800	2385	5685	6230	1555	1010	640	6	6	3780	4000	1990
5000	2485	5880	6425	1655	1110	640	6	6	3640	3650	2030
5400	2610	6275	6820	1780	1235	640	3	6	3270	3350	2070
6000	2850	6875	7420	2020	1475	640	3	6	2870	2950	2220
6500	3050	7375	7920	2220	1675	640	3	6	2560	2650	2370

Note: For integral sideshift deduct 50kg from stated capacity, all ratings with 1070 mm forks, dual tyre capacities available upon request

About Yale


Yale Lift Truck Technologies leverages over a century of material handling experience and substantial investment in innovation to bring the most advanced technology-driven lift truck solutions to market. The company offers a full line of award-winning lift trucks, including reach trucks, order pickers, turret trucks, pallet jacks and trucks, pallet stackers, tow tractors and counterbalanced forklifts, as well as powerful operator assist solutions, proven robotics and a wide range of power sources to help customers adapt to today's demanding supply chain. Yale and its independent dealer network support these solutions with comprehensive after-sales service, parts, financing and training.

Yale Lift Truck Technologies is a trading name of Hyster-Yale Asia-Pacific Pty Ltd., a wholly owned subsidiary of Hyster-Yale Materials Handling, Inc. (NYSE:HY) which is headquartered in Cleveland, Ohio and operates globally.

Yale Lift Truck Technologies | Pacific
1/23 Rowood Road
Prospect NSW 2148

Yale Lift Truck Technologies | Asia
2 Venture Drive
#23-28 Vision Exchange
Singapore 608526

yale.com

© 2024 Hyster-Yale Group, Inc., all rights reserved. YALE and  are trademarks of Hyster-Yale Group, Inc. Trucks may be shown with optional equipment and/or features not available in all regions. Specifications and details in this brochure are subject to change without prior notification.



MATERIALS HANDLING FOR:

Third-party logistics (3PL)

Auto parts distribution

Beverage

Cold & frozen foods

Food distribution

Food processing

Furniture & furnishings

Government

Health & pharma

Home centers & durables

Retail & e-commerce