

ESC series

3000-4000lbs



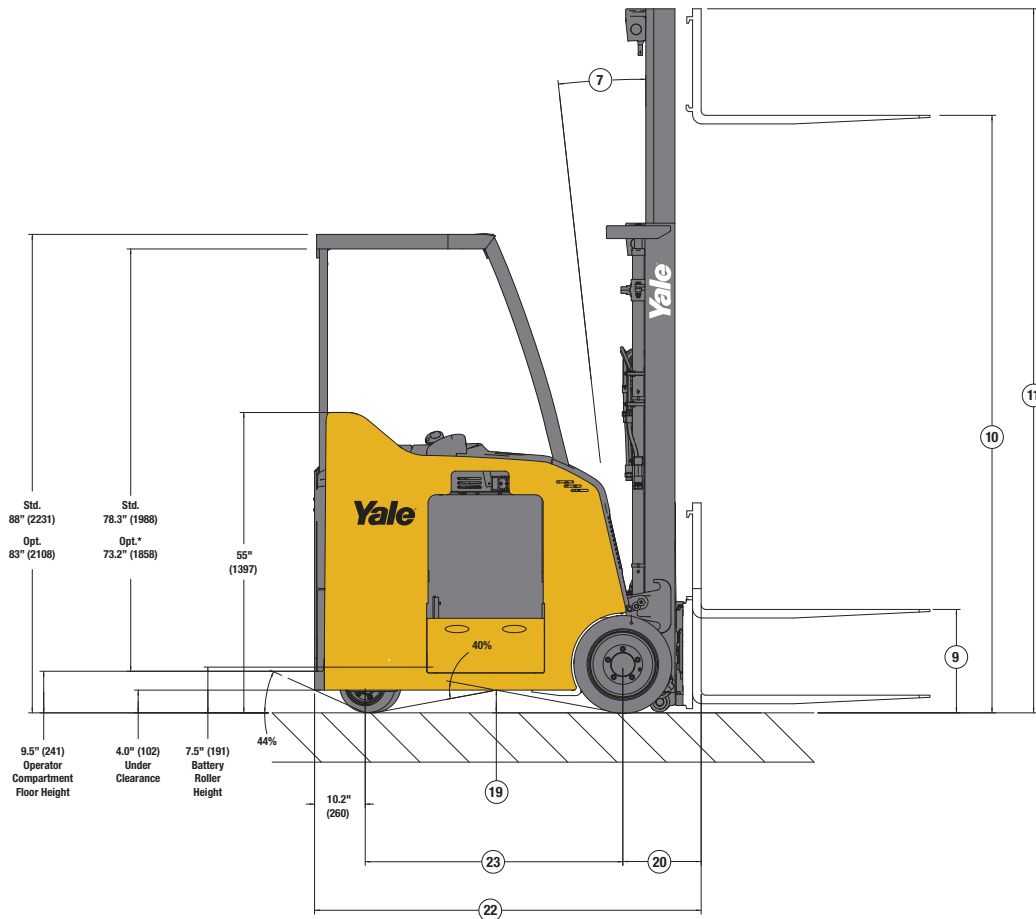
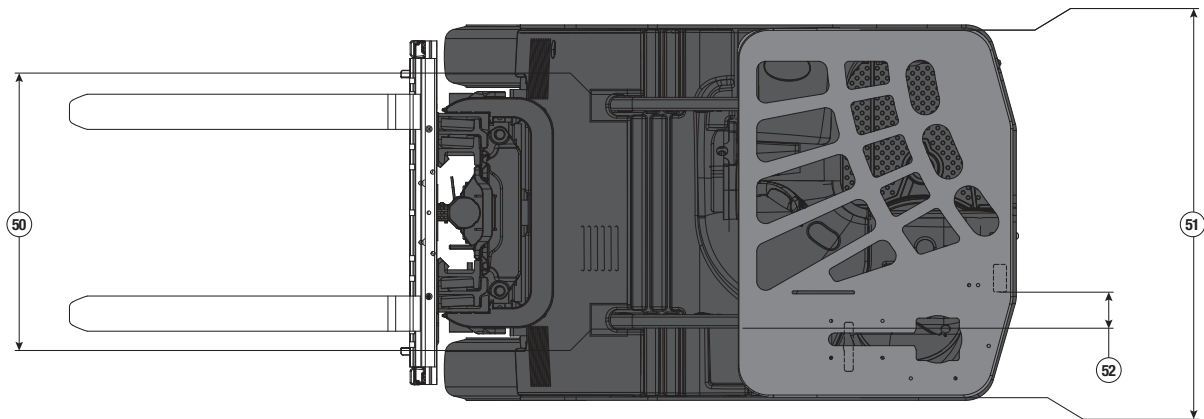
Three-Wheel Stand



SPEC SHEET

Models: ESC030AD, ESC035AD, ESC040AD

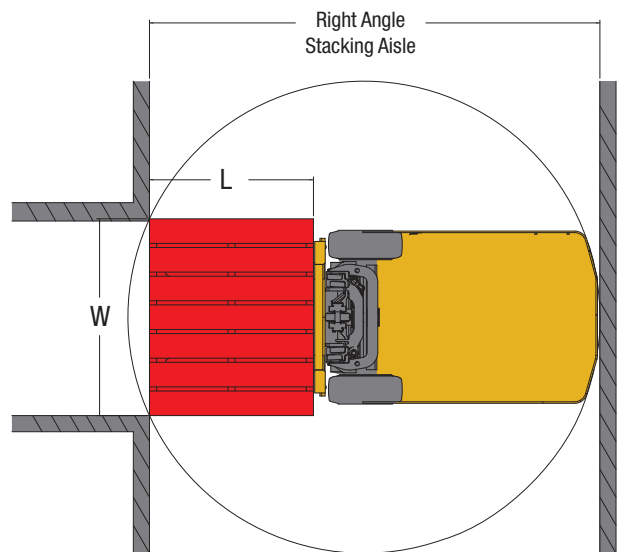
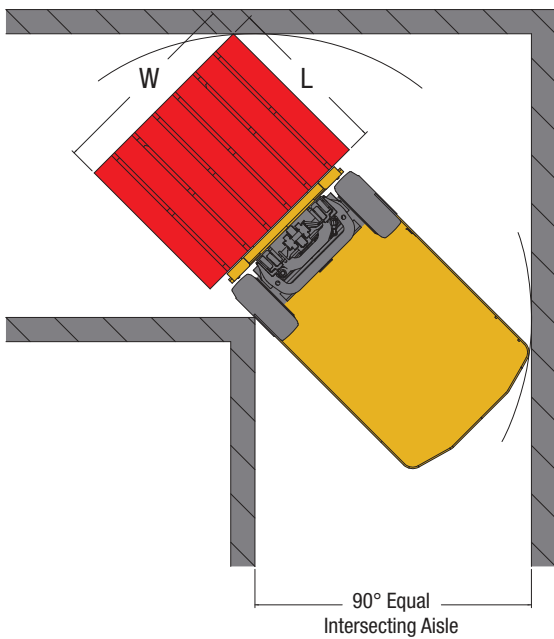
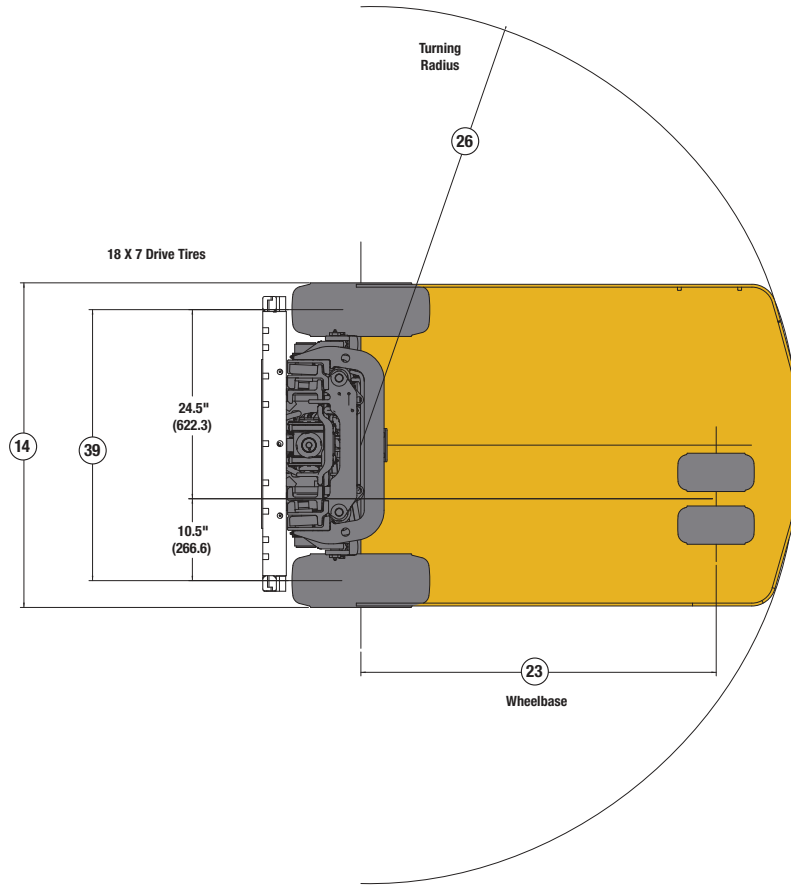
TRUCK DIMENSIONS ESC030AD, ESC035AD, ESC040AD



* Measurement assumes zero compression of floor plate suspension spring, which varies depending on operator weight (typical 1/2" deflection could be assumed for increased operator height clearance).

Circled dimensions correspond to the line numbers on the tabulated chart inside the spec sheet. Dimensions are in inches (millimeters).

TRUCK DIMENSIONS ESC030AD, ESC035AD, ESC040AD



Circled dimensions correspond to the line numbers on the tabulated chart inside the spec sheet. Dimensions are in inches (millimeters).

GENERAL SPECIFICATIONS ESC030AD

GENERAL				Yale			
1	Manufacturer			ESC030AD			
2	Model designation			Electric/36 volts			
3	Power/voltage			Stand			
4	Operation type			3000 (1361)			
5	Rated capacity	lb (kg)		24 (609)			
6	Load center	in (mm)					
DIMENSIONS		7	Mast tilt std (opt)	degrees	5F/5B (10F/5B)		
		8	Mast – lowered height (std mast)	in (mm)	84 (2130)		
		9	Free lift – top of fork (std 2-stage limited free lift (LFF) mast)	in (mm)	5 (140)		
		9a	Free lift – top of fork (opt 2-stage full free lift (FFL) mast w/wo LBR)	in (mm)	33/61 (860/1555)		
		10	Lift height – top of fork (std 2-stage LFL mast)	in (mm)	131 (3332)		
		11	Mast – extended height (std mast with/without LBR)	in (mm)	180/154 (4555/3912)		
		12	Overhead guard height (std/opt)	in (mm)	88/83 (2234/2108)		
		13	Grade clearance	%	40		
		14	Overall width	in (mm)	42 (1067)		
		15	Forks (thickness x width x length)	in (mm)	1.5 x 4 x 42 (38 x 102 x 1067)		
		16	Standard carriage width (class II)	in (mm)	38.5 (978)		
		17	Floor to top of battery rollers	in (mm)	7.5 (190)		
		19	Ground clearance (center of wheelbase) NL	in (mm)	4 (102)		
		20	Load distance	3-stage FFL Clear View™ mast †	in (mm)	12.8 (327)	
		20a	ctr of wheel to face of forks)	2-stage LFL/FFL, 3-stage FFL Hi-Vis™ mast ††	in (mm)	12.6 (321)	
		20b		4-stage mast †††	in (mm)	N/A	18.3 (464)
		21	Battery compartment	Height	in (mm)	31.1 (790)	
		21a		Length	in (mm)	13.8 (352)	16.0 (408)
		21b		Width	Nominal size	38"	
		21c		Width	Actual	38.6 (980)	
		22	Length to face of forks ^Δ	in (mm)	62.3 (1583)	64.5 (1639)	66.7 (1695)
		23	Wheelbase	in (mm)	39.4 (1001)	41.6 (1057)	43.8 (1113)
		24	Aisle width ^{ΔΔ}	in (mm)	111.3 (2827)	113.4 (2880)	115.5 (2934)
		25	Equal aisle, 90° intersecting aisle ^{ΔΔ}	in (mm)	68.0 (1728)	68.5 (1740)	69.0 (1752)
		26	Turning radius ^Δ	in (mm)	50.7 (1289)	52.8 (1341)	54.9 (1395)
		PERFORMANCE		27	Travel speed (NL/RL)	mph (km/h)	7.2/7.2 (11.6/11.6)
28	Lift speed			Std 2-stage LFL mast (NL/RL)	ft/min (m/sec)	87/59 (0.44/0.30)	
28a				Opt 2-stage FFL mast (NL/RL)	ft/min (m/sec)	87/59 (0.44/0.30)	
28b				Opt 3-stage FFL Clear View™ mast (NL/RL)	ft/min (m/sec)	99/69 (0.50/0.35)	
28c				Opt 3-stage FFL mast (NL/RL)	ft/min (m/sec)	83/65 (0.42/0.33)	
28d	Opt 4-stage FFL mast (NL/RL)			ft/min (m/sec)	N/A	113/79 (0.57/0.40)	
29	Lower speed			Std 2-stage LFL mast (NL/RL)	ft/min (m/sec)	63/100 (0.32/0.51)	
29a				Opt 2-stage FFL mast (NL/RL)	ft/min (m/sec)	61/98 (0.31/0.50)	
29b				Opt 3-stage FFL Clear View™ mast (NL/RL)	ft/min (m/sec)	71/102 (0.36/0.52)	
29c				Opt 3-stage FFL mast (NL/RL)	ft/min (m/sec)	71/88 (0.36/0.45)	
29d				Opt 4-stage FFL mast (NL/RL)	ft/min (m/sec)	N/A	N/A
30	Gradeability			5 minute rating (NL/RL)	%	15.0/15.0	
31	Drawbar pull			5 minute rating (NL/RL)	lbf	2602/2356	
32	Brake			Method of control	Spring apply/elec. released		
32a		Method of operation	Foot				
WEIGHT		33	Truck weight	Without battery (NL)	6353 (2882)	6373 (2891)	
		34	Axle loading – drive	Static with max. wt. battery (NL/RL)	3991/9149 (1810/4150)	4080/9107 (1851/4131)	
		35	Axle loading – steer	Static with max. wt. battery (NL/RL)	4462/2304 (2024/1045)	4572/2545 (2074/1154)	
TIRE/WHEELS		36	Tire type – rubber, polyurethane etc. (drive/steer)	Rubber/polyurethane			
		37	Tire size (drive/steer)	in	18 x 7 – 12.1/10 x 5 – 6.5		
		38	Wheels – number (X=driven) drive/steer	2X/2			
		39	Tread (tires) std dr/steer/steer	in (mm)	35/10.5/24.5 (889/267/622)		
BATTERY		40	Battery	Type	Lead acid		
		40a		Volts	36		
		40b	Minimum weight	lb (kg)	1700 (771)	1980 (898)	2300 (1043)
MOTORS		41	Traction motors (dual) 60 minute rating each	hp (kW)	6.4 (4.8)		
		42	Pump motor 15 minute rating	hp (kW)	16.1 (12)		
		43	Traction motors (type/control method)	AC/Transistor			
		44	Pump motor (type/control method)	AC/Transistor			
		45	Number of speeds (traction & pump)	Infinitely variable			
OTHER		46	Step height	in (mm)	9.5 (241)		
		47	Attachment relief pressure	psi (bar)	2000 (138)		
		49	Sound level (measured per ANSI B56.11.5)	dB (A)	69		
		50	Front leg width	in (mm)	25.8 (656)		
		51	Canopy width	in (mm)	41.3 (10500)		
52	Rear leg offset**	in (mm)	3.4 (85.8)				

Specifications, unless otherwise listed, are for a standard truck without optional equipment.

RL = Rated Load, NL = No Load

*Right angle stack and equal intersecting aisle dimensions provided with a 48" long and 40" wide pallet load, 2-stage LFL mast with standard carriage, allowing zero clearance.

Δ External mounted operator sensing system egress option will increase length of truck by 1.9" (48mm)

RAS = Turn radius + load distance + load length + clearance

† 3-stage FFL Clear View™ mast add 1.8" for S/S

†† 2-stage LFL/2 stage-FFL/3-stage FFL Hi-Vis™ mast add 1.7" for S/S

††† 4-stage FFL mast add 1.4" for S/S

** Rear leg dimension does not include optional equipment such as work lights, visible alarms or Telemetry, which may reduce clearance.

GENERAL SPECIFICATIONS ESC035AD, ESC040AD

GENERAL		1		Yale				
		2		ESC035AD	ESC035AD	ESC040AD		
3		Power/voltage		Electric/36 volts				
4		Operation type		Stand				
5		Rated capacity		3500 (1588)	3500 (1588)	4000 (1814)		
6		Load center		24 (609)				
DIMENSIONS		7		5F/5B (10F/5B)				
		8		84 (2130)				
		9		Free lift – top of fork (std 2-stage limited free lift (LFF) mast)		5 (140)		
		9a		Free lift – top of fork (opt 2-stage full free lift (FFL) mast w/wo LBR)		33/61 (860/1555)		
		10		Lift height – top of fork (std 2-stage LFL mast)		131 (3332)		
		11		Mast – extended height (std mast with/without LBR)		180/154 (4555/3912)		
		12		Overhead guard height (std/opt)		88/83 (2234/2108)		
		13		Grade clearance		40		
		14		Overall width		42 (1067)		
		15		Forks (thickness x width x length)		1.5 x 4 x 42 (38 x 102 x 1067)		
		16		Standard carriage width (class II)		38.5 (978)		
		17		Floor to top of battery rollers		7.5 (190)		
		19		Ground clearance (center of wheelbase) NL		4 (102)		
		20		Load distance		3-stage FFL Clear View™ mast †		
		20a		Length (ctr of wheel to face of forks)		2-stage LFL/FFL, 3-stage FFL Hi-Vis™ mast ††		
		20b		Length (ctr of wheel to face of forks)		4-stage mast †††		
		21		Height		31.1 (790)		
		21a		Battery compartment		Length		
		21b		Width		Nominal size		
		21c		Width		Actual size		
		22		Length to face of forks ^A		66.7 (1695)		
		23		Wheelbase		43.8 (1113)		
		24		Aisle width ^A		115.5 (2934)		
		25		Equal aisle, 90° intersecting aisle ^A		69.0 (1752)		
		26		Turning radius ^A		54.9 (1395)		
		PERFORMANCE		27		7.2/7.2 (11.6/11.6)		
28				Std 2-stage LFL mast (NL/RL)				
28a				Opt 2-stage FFL mast (NL/RL)		87/59 (0.44/0.30)		
28b				Lift speed		Opt 3-stage FFL Clear View™ mast (NL/RL)		
28c				Opt 3-stage FFL mast (NL/RL)		83/62 (0.42/0.32)		
28d				Opt 4-stage FFL mast (NL/RL)		113/76 (0.57/0.38)		
29				Std 2-stage LFL mast (NL/RL)		63/100 (0.32/0.51)		
29a				Opt 2-stage FFL mast (NL/RL)		61/98 (0.31/0.50)		
29b				Lower speed		Opt 3-stage FFL Clear View™ mast (NL/RL)		
29c				Opt 3-stage FFL mast (NL/RL)		71/91 (0.36/0.46)		
29d				Opt 4-stage FFL mast (NL/RL)		86/100 (0.44/0.51)		
30				Gradeability		5 minute rating (NL/RL)		
31				Drawbar pull		5 minute rating (NL/RL)		
32		Brake		Method of control				
32a		Method of operation		Spring apply/elec. released				
WEIGHT		33		Without battery (NL)				
		34		Axle loading – drive				
		35		Axle loading – steer				
TIRE/WHEELS		36		Rubber/polyurethane				
		37		18 x 7 - 12.1/10 x 5 - 6.5				
		38		2X/2				
		39		35/10.5/24.5 (889/267/622)				
BATTERY		40		Lead acid				
		40a		36				
		40b		2695 (1222)				
MOTORS		41		6.4 (4.8)				
		42		16.1 (12)				
		43		AC/Transistor				
		44		AC/Transistor				
		45		Infinitely variable				
OTHER		46		9.5 (241)				
		47		2000 (138)				
		49		69				
		50		25.8 (656)				
		51		41.3 (10500)				
52		Rear leg offset**		3.4 (85.8)				

Specifications, unless otherwise listed, are for a standard truck without optional equipment.

RL = Rated Load, NL = No Load

*Right angle stack and equal intersecting aisle dimensions provided with a 48" long and 40" wide pallet load, 2-stage LFL mast with standard carriage, allowing zero clearance.

Δ External mounted operator sensing system egress option will increase length of truck by 1.9" (48mm)

RAS = Turn radius + load distance + load length + clearance

† 3-stage FFL Clear View™ mast add 1.6" for S/S

†† 2-stage LFL/2 stage-FFL/3-stage FFL Hi-Vis™ mast add 1.7" for S/S

††† 4-stage FFL mast add 1.4" for S/S

** Rear leg dimension does not include optional equipment such as work lights, visible alarms or Telemetry, which may reduce clearance.

MAST DIMENSIONS

Maximum Fork Height	Overall Lowered Height	Overall Extended Height		Free Lift (TOF)	
		w/Load Backrest	w/o Load Backrest	w/Load Backrest	w/o Load Backrest
		in (mm)	in (mm)	in (mm)	in (mm)
2-Stage Limited Free Lift (LFL) Hi-Vis™ Mast (3000-4000 lb)					
131 (3332)	84 (2130)	180 (4562)	154 (3906)	5 (140)	5 (140)
139 (3532)	88 (2230)	188 (4762)	162 (4106)	5 (140)	5 (140)
2-Stage Full Free Lift (FFL) Hi-Vis™ Mast (3000-4000 lb)					
40 (1018)	48 (1220)	90 (2286)	75 (1905)	0 (0)	12 (305)
130 (3318)	84 (2130)	180 (4568)	154 (3913)	35 (900)	61 (1555)
138 (3518)	88 (2230)	188 (4768)	162 (4113)	39 (1000)	65 (1655)
3-Stage (FFL) (Clear View™) Mast (3000 lb only)					
157 (4000)	74 (1880)	206 (5229)	178 (4521)	25 (635)	53 (1346)
192 (4900)	86 (2180)	242 (6129)	213 (5410)	37 (940)	65 (1651)
198 (5050)	90 (2280)	248 (6279)	219 (5563)	41 (1041)	69 (1753)
210 (5350)	94 (2380)	259 (6579)	231 (5867)	45 (1143)	73 (1854)
216 (5500)	96 (2430)	265 (6726)	237 (6020)	47 (1194)	75 (1905)
3-Stage (FFL) Hi-Vis™ Mast (3000-4000 lb)					
187 (4750)	82 (2080)	236 (5980)	210 (5325)	33 (850)	59 (1505)
192 (4900)	84 (2230)	238 (6030)	212 (5375)	35 (900)	61 (1555)
198 (5050)	88 (2230)	248 (6280)	221 (5625)	39 (1000)	65 (1655)
222 (5650)	98 (2480)	271 (6880)	245 (6225)	49 (1250)	75 (1905)
228 (5800)	100 (2530)	277 (7030)	251 (6375)	51 (1300)	77 (1955)
4-Stage (FFL) Mast					
241 (6121)*	84 (2121)	289 (7340)	264 (6708)	37 (935)	60 (1524)
259 (6578)*	90 (2273)	306 (7772)	282 (7165)	43 (1087)	65 (1651)
283 (7188)†	99 (2502)	331 (8407)	306 (7775)	52 (1316)	74 (1880)

* Available on 3000 / 3500 / 4000 lb trucks with 18.3" or 20.8" battery compartment only

† Available on 3500 / 4000 lb trucks with 20.8" battery compartment only

BATTERY & COMPARTMENT SPECIFICATIONS

Truck Model	Compartment Dim.			Battery Dim - Max			Volts	No. of Cells	Plates per Cell	Max Capacity	Weight	
	Width	Length	Height	"X"	"Y"	"Z"				6 Hr Rate	Min	Max
	in (mm)			in (mm)						amp hr (kwh)	lb (kg)	
ESC030AD standard 13.8" compartment	38.6 (980)	13.8 (351)	31.1 (790)	38.5 (978)	13.4 (340)	31 (787)	36	18	11	775 (27.1)	1700 (771)	2000 (907)
ESC030AD standard 16.0" compartment	38.6 (980)	16.0 (407)	31.1 (790)	38.5 (978)	15.6 (397)	31 (787)	36	18	13	930 (32.5)	1980 (898)	2300 (1043)
ESC030AD standard 18.3" compartment	38.6 (980)	18.3 (465)	31.1 (790)	38.5 (978)	17.9 (455)	31 (787)	36	18	15	1085 (37.9)	2300 (1043)	2700 (1225)
ESC035AD standard 18.3" compartment	38.6 (980)	18.3 (465)	31.1 (790)	38.5 (978)	17.9 (455)	31 (787)	36	18	15	1085 (37.9)	2300 (1043)	2700 (1225)
ESC035AD optional 20.8" compartment	38.6 (980)	20.8 (528)	31.1 (790)	38.5 (978)	20.4 (518)	31 (787)	36	18	17	1240 (43.3)	2500 (1152)	3050 (1383)
ESC040AD standard 20.8" compartment	38.6 (980)	20.8 (528)	31.1 (790)	38.5 (978)	20.4 (518)	31 (787)	36	18	17	1240 (43.3)	2695 (1222)	3050 (1383)
ESC040AD optional 18.3" compartment*	38.6 (980)	18.3 (465)	31.1 (790)	38.5 (978)	17.9 (455)	31 (787)	36	18	15	1085 (37.9)	2300 (1043)	2700 (1225)

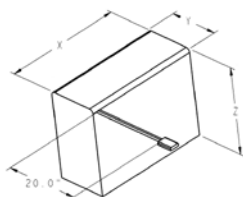
Battery compartment length is measured from front to rear.

Battery compartment width is measured across the truck.

Battery connector: 350 Amp / 36 Volt.

Battery lead: Length 20" (508 mm) "B" position.

* 20.8" battery compartment with a 3.0" spacer to accommodate an 18" battery.



FEATURES LIST

STANDARD FEATURES

Yale® iSi Technology™ control system
 Multifunction control handle
 Yale® Smart Operator Sensing System
 Yale® Smart Ride Floor System
 Rugged Hi-Vis™ mast design

OPTIONAL FEATURES

Regulated auxiliary power supply (suitable for electronic equipment) 25 amps / 300 watts @ 12 volts
 Headlights
 – Mast mounted
 – Overhead guard mounted
 – LED or halogen
 Rear work light (LED or halogen)
 10 degree forward tilt
 Integral sidsifter
 Integral sidsift fork positioner
 Cooler/freezer package (operating temperatures: 0°F to + 120°F)
 SubZero freezer package (operating temperatures: -40°F to + 120°F)
 Various drive & steer tire types
 Dome light
 Single speed fan
 Backup alarms
 Data terminal mounting bracket
 Strobe lights
 Reduced speed tilt
 Return to set tilt
 Tilt interlock
 Hydraulic attachment extension tubes with and without quick disconnect fittings
 Externally-mounted egress sensor
 Keyless start
 Battery gate interlock
 Fire extinguisher
 Quad masts
 Trucker's style mast option (2-stage FFL)
 Clear View™ mast
 RF scanner holder
 Overhead guard delete option¹
 Rear operator compartment door²
 Yale Reliant™ (available on ESC030AD, ESC035AD)

¹ Requires dealer/customer verification confirming that the application meets ANSI/ITSDF B56.1 Section 4.5.1.4. A truck without an overhead guard cannot be used where there is risk of stacked loads falling on the driver. Contact Applications Engineering for additional details. Note: Special Chassis mounted headlights, work light and strobe light options are available for trucks that are not fitted with an overhead guard.

² Doors are intended to protect the operator from objects that may enter the operator's compartment but they may also slow the operator's egress in emergency situations. A review of the forklift's intended environment should be conducted before selecting a door as optional equipment.

About Yale®



Yale Materials Handling Corporation is one of the oldest manufacturers of lift trucks in the world. We've been in the business of lifting since 1875 and we apply that experience to help customers solve materials handling challenges. Our full line of lift trucks range in capacity from 2,000 to 36,000 pounds and are powered by internal combustion engines or electric options. Yale also offers robotic solutions, telemetry, fleet management, parts, financing and training. From traditional lift truck equipment to emerging technologies, our goal, every day, is to work with our nationwide dealer network to continually improve and provide the solutions you need, when and how you need them.

MATERIALS HANDLING FOR:



3PL



Auto Parts
Distribution



Beverage



Cold & Frozen
Foods



Food
Distribution



Food
Processing



Furniture &
Furnishings



Government



Health &
Pharma



Home
Centers




Retail &
E-Commerce

Yale Materials Handling Corporation

P.O. Box 7367
Greenville, NC 27835-7367
U.S.A.

www.yale.com

Yale, and PEOPLE, PRODUCTS, PRODUCTIVITY are trademarks of Hyster-Yale Group, Inc.  is a registered copyright of Hyster-Yale Group, Inc. © Yale Materials Handling Corporation 2021. All rights reserved.

Trucks may be shown with optional equipment. Truck performance may be affected by the condition of the vehicle, how it is equipped and the application. Specifications are subject to change without notice. Consult your Yale® Dealer if any of the information shown is critical to your application.

CERTIFICATION: Yale lift trucks meet the design and construction requirements of B56.1-1969, per OSHA Section 1910.178(a)(2), and also comply with the B56.1 revision in effect at time of manufacture. Classified by Underwriters' Laboratories, Inc.