



# ERP 2.0-3.5MXLG

---

Electric forklift trucks

2,000-3,500 kg



# Reliability and durability

- Proven and tested structural design is ideal for indoor and outdoor working conditions
- Intensive environmental testing enables reliability and durability
- Lithium battery
  - Side charging minimises need to open battery compartment
  - Automatic heating function manages temperature recovery during discharge and before charging



# Ergonomics and comfort

- Ergonomic design and optimized operator compartment improves driving experience
- Multiple seat options to suit most operator sizes
- Informative colour display including performance mode settings
- Wide view mast provides good forward visibility
- Large tire size and high ground clearance provides optimal performance on uneven ground conditions



# High efficiency and performance

- High efficiency permanent magnet motor and controller system
  - Provides up to 95% working efficiency
  - Reduces energy consumption by 20%
- IPX4 waterproof rating
  - Enables continuous operation in wet conditions
- BMS and controller with leakage detection system
- Permanent magnet synchronous motor delivers high efficiency

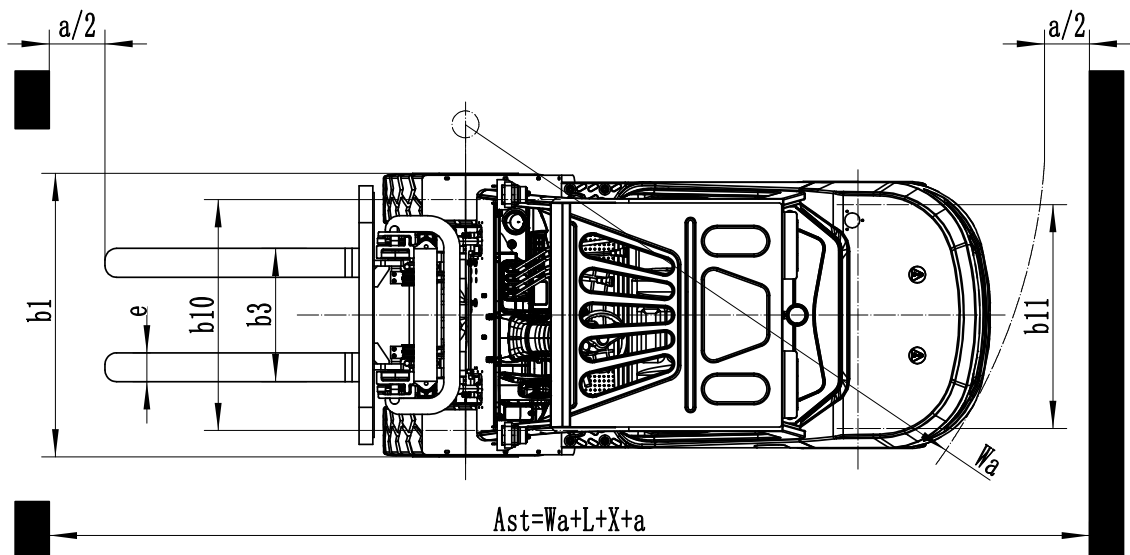
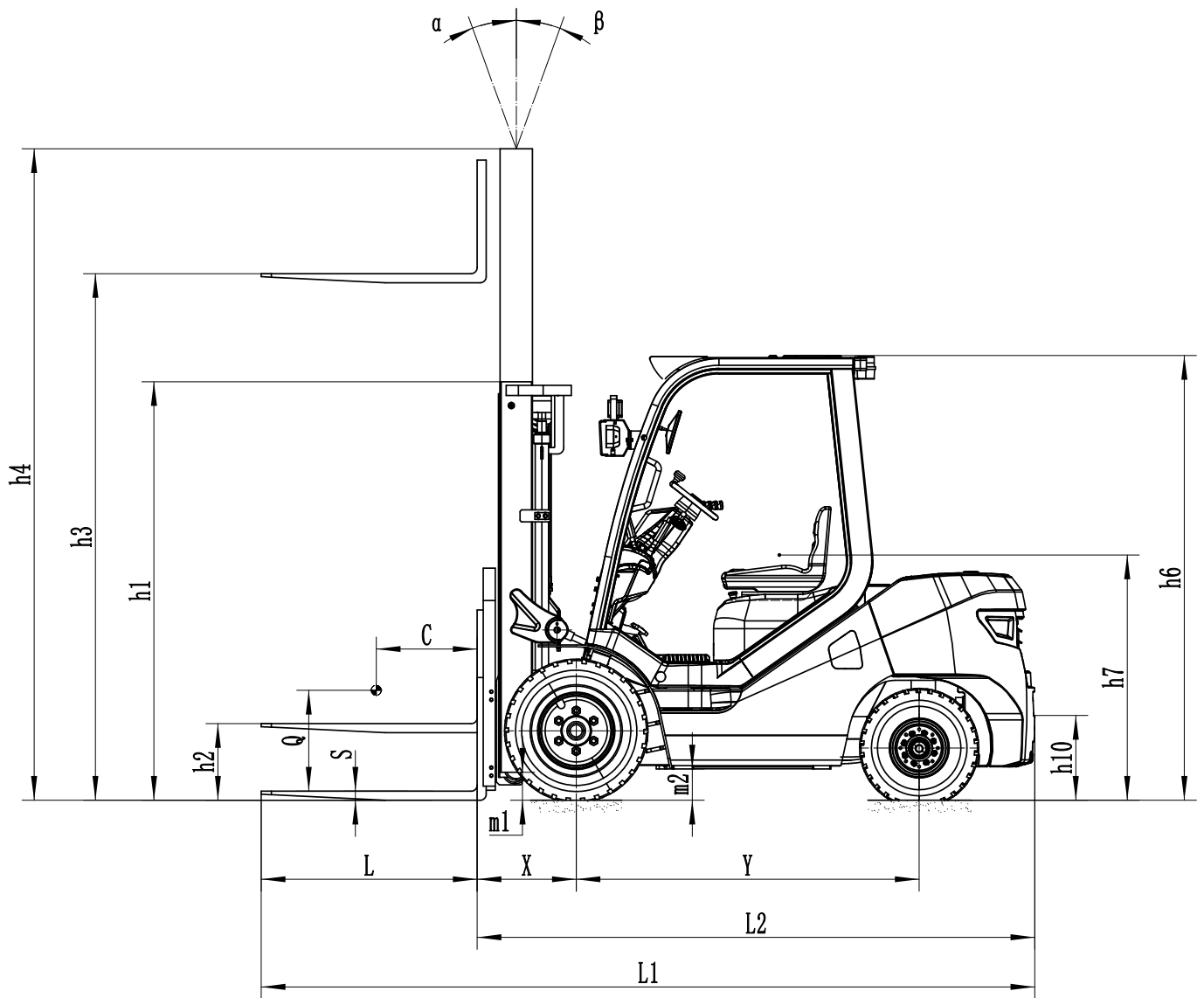


## Other features

- Standard curve deceleration
- Standard energy saving bright LED lights
- Standard USB charge ports
- Standard operator presence system
- Optional dual wheels
- Optional wet brake axle
- Optional automatic park brake
- Optional telemetry
- Optional minilevers



TRUCK DIMENSIONS



**ERP2.0-2.5MXLG SPECIFICATIONS**

DISTINGUISHING MARK			Yale				
			ERP2.0MXLG		ERP2.5MXLG		
1.1	Manufacturer		Yale				
1.2	Model designation		ERP2.0MXLG		ERP2.5MXLG		
1.3	Drive: electric(battery or mains), diesel, petrol, fuel gas		Electric		Electric		
1.4	Operator type: hand, pedestrian, standing, seated, order-picker		Seat		Seat		
1.5	Rated capacity/rated load	Q (kg)	2000		2500		
1.6	Load centre distance	c (mm)	500		500		
1.8	Load distance, centre of drive axle to fork	x (mm)	476		476		
1.9	Wheelbase (with mast vertical)	y (mm)	1600		1600		
WEIGHT	2.1	Service weight	kg	3515	3645	3775	3905
	2.2	Axle loading, laden front/rear	kg	4865/650	4980/665	5535/740	5650/755
	2.3	Axle loading, unladen front/rear	kg	1355/2160	1400/2245	1470/2305	1520/2385
TYRES/CHASSIS	3.1	Tyres: Solid rubber, superelastic, pneumatic, polyurethane		Pneumatic		Pneumatic	
	3.2	Tyre size, front		7.00-12-12PR		7.00-12-12PR	
	3.3	Tyre size, rear		6.00-9-10PR		6.00-9-10PR	
	3.5	Wheels, number front/rear		2/2		2/2	
	3.6	Tread, front	b10 (mm)	970		970	
	3.7	Tread, rear	b11 (mm)	980		980	
	DIMENSIONS	4.1	Tilt of mast/fork carriage, forward/backward	$\alpha / \beta$ (°)	6/12		6/12
4.2		Height, mast lowered	h1 (mm)	2010		2010	
4.3		Free lift	h2 (mm)	160		160	
4.4		Lift	h3 (mm)	3000		3000	
4.5		Height, mast extended <sup>1</sup>	h4 (mm)	3575		3575	
4.7		Height of overhead guard (cabin)	h6 (mm)	2180		2180	
4.8		Seat height/stand height	h7 (mm)	1190		1190	
4.12		Towing coupling height	h10 (mm)	250		250	
4.19		Overall length	l1 (mm)	3630		3692	
4.20		Length to face of forks	l2 (mm)	2560		2622	
4.21		Overall width	b1 (mm)	1160		1160	
4.22		Fork dimensions ISO2331	s/e/l (mm)	40/122/1070		40/122/1070	
4.23		Fork carriage ISO 2328. Class/type, A/B		IIA		IIA	
4.24		Fork carriage width	b3 (mm)	1040		1040	
4.31		Ground clearance, laden, below mast	m1 (mm)	125		125	
4.32		Ground clearance, centre of wheelbase	m2 (mm)	130		130	
4.33		Load dimension b12 x l6 crossways	b12 x l6 (mm)	1000*1000		1000*1000	
4.34.1		Aisle width with pallets 1000mm x 1200mm crossways	Ast (mm)	3972		4023	
4.35		Turning radius	Wa (mm)	2296		2347	
4.36		Inner turning radius	b13 (mm)	745		745	
PERFORMANCE DATA	5.1	Travel speed, laden/unladen	km/h	15/15	19/19	15/15	19/19
	5.1.1	Travel speed, laden/unladen, backwards	km/h	12/12	16/16	12/12	16/16
	5.2	Lifting speed, laden/unladen	mm/s	400/430	510/540	400/430	510/540
	5.3	Lowering speed laden/unladen	mm/s	420/500		420/500	
	5.5	Drawbar pull laden/unladen	N	16000/13000	19000/15000	17000/15000	23000/16000
	5.8	Maximum gradeability, laden/unladen	%	15/15	20/20	15/15	20/20
	5.9	Acceleration time, laden/unladen 15m	sec	5.6/5.5		5.6/5.5	
	5.10	Service brake		Hydraulic		Hydraulic	
ELECTRIC ENGINE	6.1	Drive motor rating S2 60 min	Kw	15	21.6	15	21.6
	6.2	Lift motor rating at S3 15 %	Kw	15	22.6	15	22.6
	6.3	Battery according to DIN 43531/35/36 A, B, C, no		no		no	
	6.4	Battery voltage/nominal capacity K5	(V)/(Ah)	115V/228Ah	154V/228Ah	115V/228Ah	154V/228Ah
	6.5	Battery weight	kg	280	340	280	340
	6.6	Energy consumption according to VDI cycle	kWh/h	4.8	5.4	5.1	5.8
	6.7	Turnover output	t/h	135	162	145	173
	6.8	Energy consumption at turnover output	kWh in 1 h	5.8	5.5	6.3	5.9
ADDITIONAL DATA	8.1	Type of drive unit		PM AC		PM AC	
	10.1	Operating pressure for attachments	bar	140		140	
	10.2	Oil volume for attachments	l/min	64		64	
	10.7	Sound pressure level at the driver's seat	dB (A)	66	66	66	66
	10.7.1	Sound power level during the workcycle	dB (A)	82	81	82	81
	10.8	Towing coupling, type DIN		PIN		PIN	

<sup>1</sup> Without load backrest



## ERP3.0-3.5MXLG SPECIFICATIONS

DISTINGUISHING MARK	1.1	Manufacturer	Yale				
	1.2	Model designation	ERP3.0MXLG		ERP3.5MXLG		
	1.3	Drive: electric(battery or mains), diesel, petrol, fuel gas	Electric		Electric		
	1.4	Operator type: hand, pedestrian, standing, seated, order-picker	Seat		Seat		
	1.5	Rated capacity/rated load	Q (kg)	3000	500		
	1.6	Load centre distance	c (mm)	500	500		
	1.8	Load distance, centre of drive axle to fork	x (mm)	491	510		
	1.9	Wheelbase (with mast vertical)	y (mm)	1700	1700		
	WEIGHT	2.1	Service weight	kg	4275	4330	4675
2.2		Axle loading, laden front/rear	kg	6416/859	6465/865	7210/965	7260/970
2.3		Axle loading, unladen front/rear	kg	1710/2565	1732/2598	1846/2829	1868/2862
TYRES/CHASSIS	3.1	Tyres: Solid rubber, superelastic, pneumatic, polyurethane	Pneumatic		Pneumatic		
	3.2	Tyre size, front	28x9-15-14PR		28x9-15-14PR		
	3.3	Tyre size, rear	6.50-10-10PR		6.50-10-10PR		
	3.5	Wheels, number front/rear	2/2		2/2		
	3.6	Tread, front	b10 (mm)	1000	1000		
	3.7	Tread, rear	b11 (mm)	970	970		
	DIMENSIONS	4.1	Tilt of mast/fork carriage, forward/backward	$\alpha / \beta$ (°)	6/12		6/12
4.2		Height, mast lowered	h1 (mm)	2150		2150	
4.3		Free lift	h2 (mm)	165		170	
4.4		Lift	h3 (mm)	3000		3000	
4.5		Height, mast extended <sup>1</sup>	h4 (mm)	3640		3700	
4.7		Height of overhead guard (cabin)	h6 (mm)	2205		2205	
4.8		Seat height/stand height	h7 (mm)	1215		1215	
4.12		Towing coupling height	h10 (mm)	260		260	
4.19		Overall length	l1 (mm)	3763		3853	
4.20		Length to face of forks	l2 (mm)	2693		2783	
4.21		Overall width	b1 (mm)	1228		1228	
4.22		Fork dimensions ISO2331	s/e/l (mm)	45/122/1070		50/122/1070	
4.23		Fork carriage ISO 2328. Class/type, A/B		IIA		IIA	
4.24		Fork carriage width	b3 (mm)	1100		1100	
4.31		Ground clearance, laden, below mast	m1 (mm)	140		140	
4.32		Ground clearance, centre of wheelbase	m2 (mm)	155		155	
4.33		Load dimension b12 x l6 crossways	b12 x l6 (mm)	1000*1000		1000*1000	
4.34.1		Aisle width with pallets 1000mm x 1200mm crossways	Ast (mm)	4136		4225	
4.35		Turning radius	Wa (mm)	2445		2515	
4.36		Inner turning radius	b13 (mm)	823		823	
PERFORMANCE DATA	5.1	Travel speed, laden/unladen	km/h	15/15	19/19	15/15	19/19
	5.1.1	Travel speed, laden/unladen, backwards	km/h	12/12	16/16	12/12	16/16
	5.2	Lifting speed, laden/unladen	mm/s	350/380	430/500	350/380	430/500
	5.3	Lowering speed laden/unladen	mm/s	420/500		420/500	
	5.5	Drawbar pull laden/unladen	N	19000/16000	26000/17000	19000/16000	27000/17000
	5.8	Maximum gradeability, laden/unladen	%	15/15	20/20	15/15	20/20
	5.9	Acceleration time, laden/unladen 15m	sec	5.6/5.5		5.6/5.5	
	5.10	Service brake		Hydraulic		Hydraulic	
ELECTRIC ENGINE	6.1	Drive motor rating S2 60 min	Kw	15	21.6	15	21.6
	6.2	Lift motor rating at S3 15 %	Kw	15	22.6	15	22.6
	6.3	Battery according to DIN 43531/35/36 A, B, C, no		no		no	
	6.4	Battery voltage/nominal capacity K5	(V)/(Ah)	115V/228Ah	154V/228Ah	115V/228Ah	154V/228Ah
	6.5	Battery weight	kg	280	340	280	340
	6.6	Energy consumption according to VDI cycle	kWh/h	5.8	6.4	6.3	7
	6.7	Turnover output	t/h	165	192	180	210
	6.8	Energy consumption at turnover output	kWh in 1 h	7.1	6.5	7.8	7.1
ADDITIONAL DATA	8.1	Type of drive unit		PM AC		PM AC	
	10.1	Operating pressure for attachments	bar	140		140	
	10.2	Oil volume for attachments	l/min	64		64	
	10.7	Sound pressure level at the driver's seat	dB (A)	66	66	66	66
	10.7.1	Sound power level during the workcycle	dB (A)	82	81	82	81
	10.8	Towing coupling, type DIN		PIN		PIN	

<sup>1</sup> Without load backrest

~ Dual tyre configuration

ERP2.0MXLG MAST DIMENSIONS														
	Maximum fork height	Lowered height	Overall extended height without LBR	Overall extended height with LBR	Free lift height without LBR	Back tile	Capacities (kg) @ 500mm Load Centre				Capacities (kg) @ 600mm Load Centre			
							Solid tyres		Pneumatic tyres		Solid tyres		Pneumatic tyres	
							Without sideshift	With sideshift	Without sideshift	With sideshift	Without sideshift	With sideshift	Without sideshift	With sideshift
							(mm)	(mm)	(mm)	(mm)	(mm)	(mm)	(mm)	(mm)
2-STAGE LIMITED FREE-LIFT (LFU) MAST	3000	2010	3575	3990	160	12	2000	1980	2000	1980	1860	1800	1860	1800
	3300	2160	3875	4290	160	12	2000	1970	2000	1970	1860	1790	1860	1790
	3500	2260	4075	4490	160	12	2000	1970	2000	1970	1850	1790	1850	1790
	3700	2360	4275	4690	160	6	2000	1960	2000	1960	1850	1780	1850	1780
	4000	2560	4575	4990	160	6	2000	1940	2000	1940	1830	1760	1830	1760
	4500	2810	5075	5490	160	6	1910	1850	1790	1750	1740	1680	1740	1680
	5000	3060	5575	5990	160	6	1810	1750	1350 (1810~)	1300 (1740~)	1640	1590	1380 (1640~)	1330 (1590~)
	5500	3360	6075	6490	160	6	1490 (1700~)	1450 (1640~)	1020 (1510~)	950 (1470~)	1530 (1540~)	1480 (1490~)	1040 (1530~)	990 (1470~)
	6000	3610	6575	6990	160	6	1110 (1580~)	1070 (1520~)	740 (1180~)	670 (1130~)	1170 (1430~)	1120 (1380~)	760 (1220~)	700 (1170~)
	2-STAGE FULL FREE-LIFT (FFU) MAST	3000	2010	3590	3990	1420	12	2000	1940	2000	1940	1830	1770	1830
3300		2160	3890	4290	1570	12	2000	1940	2000	1940	1820	1760	1820	1760
3500		2260	4090	4490	1670	12	2000	1930	2000	1930	1820	1750	1820	1750
3-STAGE FULL FREE-LIFT (FFU) MAST	4350	2010	4867	5340	1390	6	1890	1820	1890	1820	1710	1650	1710	1650
	4500	2060	5017	5490	1440	6	1860	1790	1790	1770	1680	1620	1680	1620
	4800	2160	5317	5790	1540	6	1800	1730	1500 (1790~)	1460 (1730~)	1630	1570	1540	1500
	5000	2260	5517	5990	1640	6	1750	1680	1330 (1750~)	1280 (1690~)	1590	1530	1360 (1590~)	1320 (1530~)
	5500	2425	6017	6490	1800	6	1450 (1650~)	1410 (1590~)	940 (1490~)	880 (1450~)	1490	1440	970 (1490~)	910 (1470~)
	6000	2610	6517	6990	1990	6	1060 (1530~)	1000 (1480~)	650 (1140~)	580 (1090~)	1110 (1390~)	1050 (1340~)	670 (1180~)	600 (1130~)
6500	2825	7017	7490	2215	6	760 (1410~)	700 (1360~)	410 (850~)	330 (800~)	790 (1280~)	730 (1230~)	430 (890~)	350 (830~)	

ERP2.5MXLG MAST DIMENSIONS														
	Maximum fork height	Lowered height	Overall extended height without LBR	Overall extended height with LBR	Free lift height without LBR	Back tile	Capacities (kg) @ 500mm Load Centre				Capacities (kg) @ 600mm Load Centre			
							Solid tyres		Pneumatic tyres		Solid tyres		Pneumatic tyres	
							Without sideshift	With sideshift	Without sideshift	With sideshift	Without sideshift	With sideshift	Without sideshift	With sideshift
							(mm)	(mm)	(mm)	(mm)	(mm)	(°)	(kg)	(kg)
2-STAGE LIMITED FREE-LIFT (LFU) MAST	3000	2010	3575	3990	160	12	2500	2460	2500	2460	2300	2230	2300	2230
	3300	2160	3875	4290	160	12	2500	2450	2500	2450	2300	2230	2300	2230
	3500	2260	4075	4490	160	12	2500	2450	2500	2450	2290	2220	2290	2220
	3700	2360	4275	4690	160	6	2500	2440	2500	2440	2290	2220	2290	2220
	4000	2560	4575	4990	160	6	2500	2420	2500	2420	2270	2200	2270	2200
	4500	2810	5075	5490	160	6	2400	2320	2290 (2400~)	2260 (2320~)	2170	2110	2170	2100
	5000	3060	5575	5990	160	6	2170 (2290~)	2140 (2210~)	1740 (2270~)	1700 (2200~)	2060	2000	1780 (2060~)	1740 (2000~)
	5500	3360	6075	6490	160	6	1700 (2150~)	1660 (2080~)	1310 (1900~)	1260 (1870~)	1770 (1950~)	1720 (1890~)	1350 (1930~)	1310 (1870~)
	6000	3610	6575	6990	160	6	1260 (2010~)	1210 (1950~)	970 (1480~)	900 (1440~)	1320 (1830~)	1270 (1770~)	1000 (1540~)	940 (1500~)
	2-STAGE FULL FREE-LIFT (FFU) MAST	3000	2010	3590	3990	1420	12	2500	2430	2500	2430	2280	2210	2280
3300		2160	3890	4290	1570	12	2500	2430	2500	2430	2280	2200	2280	2200
3500		2260	4090	4490	1670	12	2500	2420	2500	2420	2270	2200	2270	2200
3-STAGE FULL FREE-LIFT (FFU) MAST	4350	2010	4867	5340	1390	6	2050	1980	2050	1980	1860	1800	1860	1800
	4500	2060	5017	5490	1440	6	2020	1950	2020	1950	1830	1770	1830	1770
	4800	2160	5317	5790	1540	6	1960	1890	1900 (1960~)	1870 (1890~)	1780	1720	1780	1720
	5000	2260	5517	5990	1640	6	1910	1850	1690 (1910~)	1650 (1840~)	1740	1680	1730	1670
	5500	2425	6017	6490	1800	6	1610 (1820~)	1570 (1750~)	1220 (1800~)	1170 (1740~)	1640	1580	1270 (1640~)	1220 (1580~)
	6000	2610	6517	6990	1990	6	1160 (1700~)	1110 (1640~)	870 (1420~)	810 (1380~)	1230 (1540~)	1180 (1490~)	910 (1480~)	850 (1430~)
6500	2825	7017	7490	2215	6	830 (1570~)	780 (1510~)	580 (1080~)	510 (1020~)	870 (1430~)	810 (1380~)	610 (1120~)	540 (1070~)	

ERP3.0MXLG MAST DIMENSIONS														
	Maximum fork height	Lowered height	Overall extended height without LBR	Overall extended height with LBR	Free lift height without LBR	Back tile	Capacities (kg) @ 500mm Load Centre				Capacities (kg) @ 600mm Load Centre			
							Solid tyres		Pneumatic tyres		Solid tyres		Pneumatic tyres	
							Without sideshift	With sideshift	Without sideshift	With sideshift	Without sideshift	With sideshift	Without sideshift	With sideshift
							(mm)	(mm)	(mm)	(mm)	(mm)	(°)	(kg)	(kg)
2-STAGE LIMITED FREE-LIFT (LFU) MAST	3000	2075	3640	4100	165	12	3000	2950	3000	2950	2770	2690	2770	2690
	3300	2225	3940	4400	165	12	3000	2950	3000	2950	2770	2690	2770	2690
	3500	2325	4140	4600	165	12	3000	2950	3000	2950	2760	2680	2760	2680
	3700	2425	4340	4800	165	6	3000	2940	3000	2940	2760	2680	2760	2680
	4000	2625	4640	5100	165	6	3000	2920	3000	2920	2740	2660	2740	2660
	4500	2875	5140	5600	165	6	2860	2770	2860	2770	2600	2520	2600	2520
	5000	3125	5640	6100	165	6	2680	2650	2520 (2730~)	2500 (2650~)	2480	2410	2480	2400
	5500	3425	6140	6600	165	6	1930 (2630~)	1890 (2550~)	1800 (2620~)	1770 (2530~)	2010 (2390~)	1970 (2320~)	1870 (2380~)	1840 (2300~)
	6000	3675	6640	7100	165	6	1330 (2480~)	1290 (2400~)	1270 (2190~)	1210 (2160~)	1400 (2260~)	1360 (2190~)	1320 (2230~)	1270 (2170~)
	2-STAGE FULL FREE-LIFT (FFU) MAST	3000	2075	3650	4100	1425	12	3000	2920	3000	2920	2740	2660	2740
3300		2225	3950	4400	1575	12	3000	2910	3000	2910	2730	2650	2730	2650
3500		2325	4150	4600	1675	12	3000	2910	3000	2910	2730	2650	2730	2650
3-STAGE FULL FREE-LIFT (FFU) MAST	4350	2075	4950	5450	1475	6	2790	2700	2790	2700	2530	2460	2530	2460
	4500	2125	5100	5600	1525	6	2750	2670	2750	2670	2500	2430	2500	2430
	4800	2225	5400	5900	1625	6	2670	2600	2540 (2680~)	2510 (2600~)	2440	2370	2430	2360
	5000	2325	5600	6100	1725	6	2420 (2630~)	2400 (2550~)	2290 (2630~)	2260 (2550~)	2390	2320	2290 (2390~)	2270 (2320~)
	5500	2490	6100	6600	1880	6	1810 (2430~)	1810 (2430~)	1750 (2490~)	1710 (2420~)	1870 (2280~)	1830 (2210~)	1770 (2270~)	1720 (2200~)
	6000	2675	6600	7100	2075	6	1370 (2630~)	1330 (2290~)	1310 (2070~)	1260 (2030~)	1410 (2150~)	1360 (2080~)	1340 (2100~)	1290 (2060~)
6500	2890	7100	7600	2260	6	1000 (2010~)	940 (1990~)	960 (1660~)	900 (1620~)	1020 (2010~)	970 (1950~)	980 (1700~)	930 (1660~)	


ERP3.5MXLG MAST DIMENSIONS														
	Maximum fork height	Lowered height	Overall extended height without LBR	Overall extended height with LBR	Free lift height without LBR	Back tile	Capacities (kg) @ 500mm Load Centre				Capacities (kg) @ 600mm Load Centre			
							Solid tyres		Pneumatic tyres		Solid tyres		Pneumatic tyres	
							Without sideshift	With sideshift	Without sideshift	With sideshift	Without sideshift	With sideshift	Without sideshift	With sideshift
							(mm)	(mm)	(mm)	(mm)	(mm)	(°)	(kg)	(kg)
2-STAGE LIMITED FREE-LIFT (LFU) MAST	3000	2150	3700	4100	170	12	3500	3420	3500	3420	3210	3120	3210	3120
	3300	2300	4000	4400	170	12	3500	3410	3500	3410	3200	3110	3200	3110
	3500	2400	4200	4600	170	12	3500	3410	3500	3410	3190	3100	3190	3100
	3700	2500	4400	4800	170	6	3500	3400	3500	3400	3190	3100	3190	3100
	4000	2700	4700	5100	170	6	3420	3320	3420	3320	3120	3030	3110	3030
	4500	2950	5200	5600	170	6	3300	3200	3120 (3300~)	3120 (3200~)	3000	2920	3000	2910
	5000	3200	5700	6100	170	6	2870 (3180~)	2860 (3080~)	2530 (3160~)	2520 (3070~)	2880	2800	2600 (2880~)	2580 (2800~)
	5500	3500	6200	6600	170	6	2340 (3020~)	2320 (2930~)	2050 (2860~)	2030 (2850~)	2390 (2750~)	2380 (2670~)	2110 (2730~)	2080 (2660~)
	6000	3750	6700	7100	170	6	1870 (2810~)	1850 (2780~)	1640 (2430~)	1610 (2420~)	1940 (2610~)	1900 (2540~)	1700 (2510~)	1660 (2490~)
	2-STAGE FULL FREE-LIFT (FFU) MAST	3000	2150	3680	4100	1470	12	3500	3410	3500	3410	3200	3110	3200
3300		2300	3980	4400	1620	12	3500	3410	3500	3410	3190	3100	3190	3100
3500		2400	4180	4600	1720	12	3500	3400	3500	3400	3190	3100	3190	3100
3-STAGE FULL FREE-LIFT (FFU) MAST	4350	2150	4990	5450	1510	6	3470	3390	3140 (3460~)	3130 (3370~)	3190	3110	3140 (3190~)	3110
	4500	2200	5140	5600	1560	6	3320	3310	2960 (3420~)	2940 (3340~)	3160	3080	2970 (3160~)	2940 (3080~)
	4800	2300	5440	5900										

# About Yale

Yale Lift Truck Technologies leverages over a century of material handling experience and substantial investment in innovation to bring the most advanced technology-driven lift truck solutions to market. The company offers a full line of award-winning lift trucks, including reach trucks, order pickers, turret trucks, pallet jacks and trucks, pallet stackers, tow tractors and counterbalanced forklifts, as well as powerful operator assist solutions, proven robotics and a wide range of power sources to help customers adapt to today's demanding supply chain. Yale and its independent dealer network support these solutions with comprehensive after-sales service, parts, financing and training.

Yale Lift Truck Technologies  
P.O. Box 7367  
Greenville, NC 27835-7367  
U.S.A.

[yale.com](http://yale.com)

© 2025 Hyster-Yale Group, Inc., all rights reserved. YALE and  are trademarks of Hyster-Yale Group, Inc. Trucks may be shown with optional equipment and/or features not available in all regions. Specifications and details in this brochure are subject to change without prior notification.



## MATERIALS HANDLING FOR:

Third-party logistics (3PL)

Auto parts distribution

Beverage

Cold & frozen foods

Food distribution

Food processing

Furniture & furnishings

Government

Health & pharma

Home centers & durables

Retail & e-commerce