

VL series

4,500-7,000 lbs



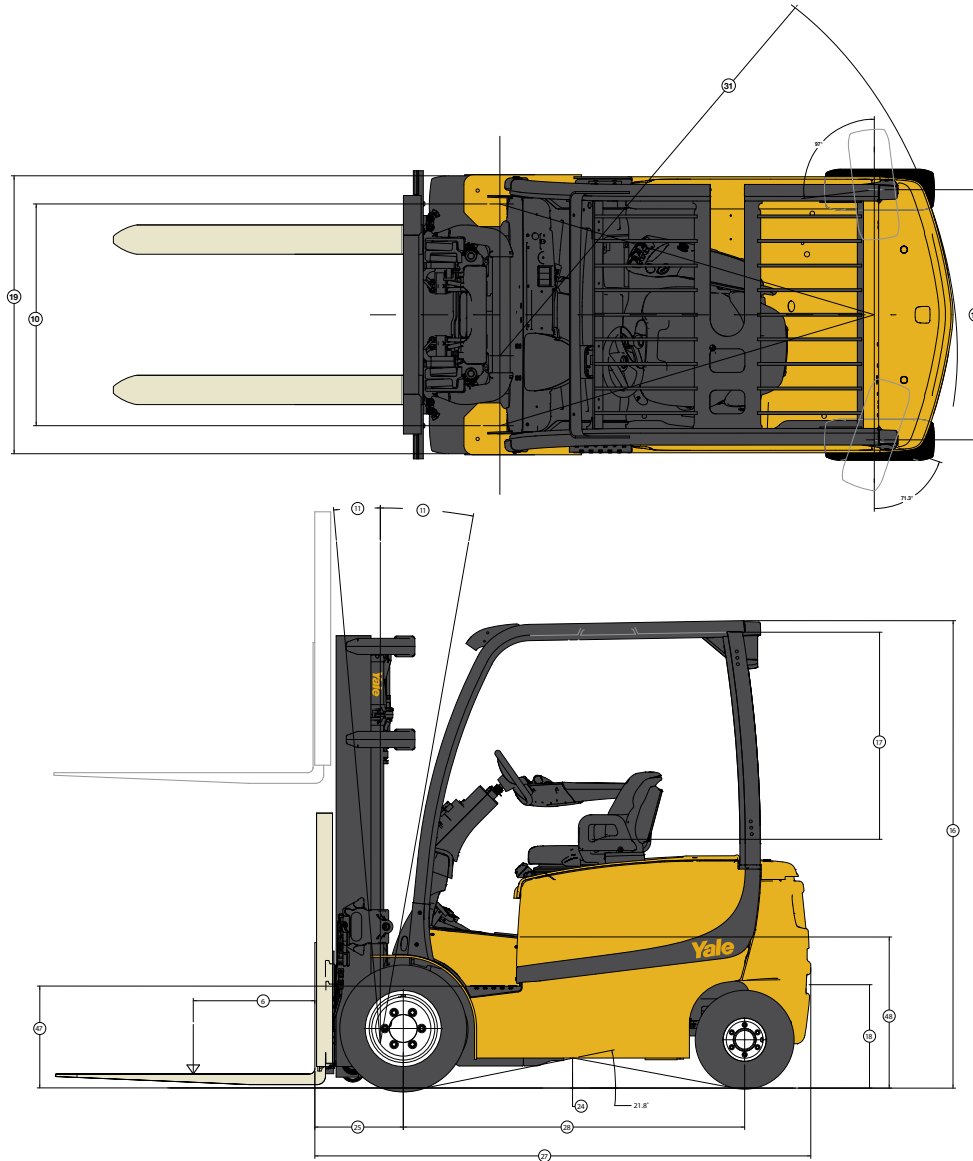
Electric Powered Pneumatic Tire Truck



SPEC SHEET

Models: ERP045VL, ERP050VL, ERP060VL, ERP070VL

TRUCK DIMENSIONS



BATTERY AND COMPARTMENT SPECIFICATIONS

Model		Compartment Size			Battery Specifications									
		W in (mm)	L in (mm)	H in (mm)	Electrical			Size			Weight			
					Volts	No. of Cells	Plates per Cell	Max Am Hr (kWh)	W Max in (mm)	L Max in (mm)	H Max in (mm)	Min lbs (kg)	Max lbs (kg)	
J45-50XN 28" Compartment	Vertical Extract	40.7 (1034)	28.2 (717)	31.2 (792)										
	Horizontal Removal - Roller	40.7 (1034)	28.2 (717)	31.1 (789)	80	40	9	1000 (77.6)	40.5 (1028)	28.0 (711)	30.8 (782)	3700 (1886)	4100 (1878)	
	Horizontal Removal - Forklift	40.4 (1028)	28.0 (712)	31.3 (796)					40.4 (1026)	27.8 (706)	31.0 (788)			
50-70XN 34" Compartment	Vertical Extract	40.7 (1034)	33.9 (861)	31.2 (792)										
	Horizontal Removal - Roller	40.7 (1034)	33.9 (861)	31.1 (789)	80	40	11	1000 (77.6)	40.5 (1028)	33.7 (855)	30.8 (782)	4500 (2021)	4900 (2233)	
	Horizontal Removal - Forklift	40.4 (1028)	33.7 (856)	31.3 (796)					40.4 (1026)	33.5 (850)	31.0 (788)			

Battery Type: "EO" (Without Cover)
 Battery amp hr (kwh) capacity is max allowable per UL
 Commercially available Lead Acid or Lithium-Ion batteries may not necessarily reach these max limits
 Battery Compartment Length is measured front to rear. Battery Compartment Width is measured across the truck

Battery Notes - Conventional Charging (Option BCSSBC)
 Battery Connector: 80 volt - Black (Anderson Power Products® SBE®320 P/N 6363G1 or REMA® SRE 320 P/N 78350-05)
 Battery Lead: Length 30" (762 mm), Position "A", 2/0 AWG

Battery Notes - Rapid / Fast Charging (Option BARFBC)
 Battery Connector: Requires Positive / Negative Cabling terminating in (1) Female EBC-320 DIN Connector (Anderson Power Products® P/N E32503-00X9 or REMA® 95625-X1)
 DIN connector to include 1 Red Conductor to (+) and 1 black conductor to (-)
 Battery Lead: Length 36" (915 mm), Position "A", Minimum Cable Size 3/0 AWG

Battery Notes - Premium, Fully Integrated "Quick Connect" Rapid / Fast Charging
 Battery Connector: Requires Positive / Negative Cabling terminating in (1) Female EBC-320 DIN Connector (Anderson Power Products® P/N E32503-00X9 or REMA® 95625-X1)
 DIN connector to include 1 Red Conductor to (+) and 1 black conductor to (-)
 Battery Lead: Length 36" (915 mm), Position "A", Minimum Cable Size 3/0 AWG

GENERAL SPECIFICATIONS ERP045VL

GENERAL	1	Manufacturer		Yale®
	2	Model Designation		ERP045VL
	3	Power/Voltage		Electric/80 Volts
	4	Operation		Sit
	5	Rated Capacity	lb. (kg)	4500 (2041)
	6	Load Center	in. (mm)	24 (610)
TIRES	7	Tire Type (Std/Opt)		Pneumatic/Pneumatic Shaped Solid
	8	Tire Size (Drive/Steer)		23 x 10 - 12/18 x 7 - 8
	9	Wheels - Number X=Driven (Drive/Steer)	front/rear	2X/2
	10	Tread	Ctr. of Tires Std Dr/Wide Dr/Steer	in. (mm) 36.9/41.5/39.1 (938/1054/992)
DIMENSIONS	11	Mast Tilt	Std Opt Opt	degrees 5F/5B 10F/5B 5F/6B
	12	Mast - Lowered Height	Std Mast	in. (mm) 87 (2192)
	13	Free Lift - Top of Fork	Std 2 Stg Limited Free Lift Mast	in. (mm) 5 (140)
			Opt 2 Stg Full Free Lift Mast with/without LBR	in. (mm) 37/64 (962/1628)
	14	Lift Height - Top of Fork	Std 2 Stg Limited Free Lift Mast	in. (mm) 133 (3392)
	15	Mast - Extended Height	Std Mast with/without LBR	in. (mm) 182/156 (4622/3956)
	16	Overhead Guard Height	Without/With Battery Rollers	in. (mm) 86.3/90.4 (2193/2297)
	17	SIP to Bottom of OHG	Seat Depressed Std/Susp/Swivel	in. (mm) 38.8/39.4/38.9 (986/1001/989)
	18	Tow Pin Height	Vertical Center of Pin	in. (mm) 10.3 (262)
	19	Overall Width	Pneumatic Tires Std/Wide Tread	in. (mm) 46.9/51.5 (1192/1308)
			PSS Tires Std/Wide Tread	in. (mm) 46.2/50.7 (1173/1289)
	20	Forks	Thickness x Width x Length	in. (mm) 1.6 x 3.9 x 42 (40 x 100 x 1067)
	21	Standard Carriage Width		in. (mm) 42 (1067)
	22	Floor to Bottom of Battery (Vertical / Roller / Forks)		in. (mm) 5.7 (145) / 10.2 (259) / 9.9 (252)
	23	Ground Clearance	Lowest Point (NL/RL)	in. (mm) 3.9/3.3 (98/83)
	24	Ground Clearance	Center of Truck (NL/RL)	in. (mm) 5.4/5.3 (137/135)
	25	Load Distance	Center of Wheel to Face of Forks	in. (mm) 16.5 (419)
			Nominal	SIZE 28"
	27	Length to Face of Forks	Chassis Length	in. (mm) 92.0 (2336)
	28	Wheelbase		in. (mm) 63.2 (1606)
	29	Right Angle Stack		in. (mm) 141.8 (3602)
	30	Equal Aisle	90° Intersecting Aisle	in. (mm) 78.2 (1986)
	31	Outside Turning Radius		in. (mm) 76 (1931)
	WT.	32	Truck Weight	Without Battery (NL)
33		Axle Loading - Drive	Static with Max. Wt. Battery (NL/RL)	lb. (kg) 5266/12649 (2389/5737)
34		Axle Loading - Steer	Static with Max. Wt. Battery (NL/RL)	lb. (kg) 5236/2352 (2375/1067)
PERFORMANCE	35	Travel Speed	(NL/RL)	mph (km/h) Standard Performance Premium Performance Package
				11.2/11.2 (18/18) 13/13 (21/21)
	36	Lift Speed	Std 2 Stg LFL Mast (NL/RL)	ft/min (m/sec) 124/79 (0.63/0.40) 142/102 (0.72/0.52)
			Opt 2 Stg FFL Mast (NL/RL)	ft/min (m/sec) 124/81 (0.63/0.41) 130/98 (0.66/0.50)
			Opt 3 Stg FFL Mast (NL/RL)	ft/min (m/sec) 124/79 (0.63/0.40) 134/100 (0.68/0.51)
	37	Lower Speed	Std 2 Stg LFL Mast (NL/RL)	ft/min (m/sec) 100/112 (0.51/0.57)
			Opt 2 Stg FFL Mast (NL/RL)	ft/min (m/sec) 91/102 (0.46/0.52)
			Opt 3 Stg FFL Mast (NL/RL)	ft/min (m/sec) 93/106 (0.47/0.54)
	38	Gradability	5 Minute Rating (NL/RL)	% 39/26 42/28
			60 Minute Rating (NL/RL)	% 13/9 14/10
39	Drawbar Pull	5 Minute Rating (NL/RL)	lbf 4283/4057 4626/4462	
		60 Minute Rating (NL/RL)	lbf 1298/1229 1402/1357	
40	Brake	Method of Control (Service/Parking)	Hydraulic/Mechanical	
		Method of Operation (Service/Parking)	Foot/Automatic	
ELECTRIC	41	Battery	Type	Lead Acid or Lithium-Ion
	42	Traction Motors (Dual)	60 Minute Rating (Each)	hp (kW) 13.4 (10) 13.4 (10)
	43	Pump Motor	15 Minute Rating	hp (kW) 21.5 (16) 32.2 (24)
	44	Traction Motors	Type/Control Method	Dual AC/Transistor
	45	Pump Motor	Type/Control Method	AC/Transistor
	46	Number of Speeds	Traction/Pump	Infinitely Variable/Infinitely Variable
OTHER	47	Step Height	in. (mm)	18.7 (475)
	48	Floor Height	Without/With Battery Rollers	in. (mm) 27.8/31.9 (706/810)
	49	Attachment Relief Pressure		psi (bar) 2250 (155)
	50	Auxiliary Oil Flow	3rd and 4th Function	gal/min (l/min) 11 (40)
	51	Sound Level	Measured per ANSI B56.11.5	dB (A) 63 65

GENERAL SPECIFICATIONS ERP050VL

GENERAL	1	Manufacturer		Yale®		
	2	Model Designation		ERP050VL		
	3	Power/Voltage		Electric/80 Volts		
	4	Operation		Sit		
	5	Rated Capacity	lb. (kg)	5000 (2268)		
	6	Load Center	in. (mm)	24 (610)		
TIRES	7	Tire Type (Std/Opt)		Pneumatic/Pneumatic Shaped Solid		
	8	Tire Size (Drive/Steer)		23 x 10 - 12/18 x 7 - 8		
	9	Wheels - Number X=Driven (Drive/Steer)	front/rear	2X/2		
	10	Tread	Ctr. of Tires Std Dr/Wide Dr/Steer	in. (mm)	36.9/41.5/39.1 (938/1054/992)	
DIMENSIONS	11	Mast Tilt	Std Opt Opt	degrees	5F/5B 10F/5B 5F/6B	
	12	Mast - Lowered Height	Std Mast	in. (mm)	87 (2192)	
	13	Free Lift - Top of Fork	Std 2 Stg Limited Free Lift Mast	in. (mm)	5 (140)	
			Opt 2 Stg Full Free Lift Mast with/without LBR	in. (mm)	37/64 (962/1628)	
	14	Lift Height - Top of Fork	Std 2 Stg Limited Free Lift Mast	in. (mm)	133 (3392)	
	15	Mast - Extended Height	Std Mast with/without LBR	in. (mm)	182/156 (4622/3956)	
	16	Overhead Guard Height	Without/With Battery Rollers	in. (mm)	86.3/90.4 (2193/2297)	
	17	SIP to Bottom of OHG	Seat Depressed Std/Susp/Swivel	in. (mm)	38.8/39.4/38.9 (986/1001/989)	
	18	Tow Pin Height	Vertical Center of Pin	in. (mm)	10.3 (262)	
	19	Overall Width	Pneumatic Tires Std/Wide Tread	in. (mm)	46.9/51.5 (1192/1308)	
			PSS Tires Std/Wide Tread	in. (mm)	46.2/50.7 (1173/1289)	
	20	Forks	Thickness x Width x Length	in. (mm)	1.6 x 3.9 x 42 (40 x 100 x 1067)	
	21	Standard Carriage Width		in. (mm)	42 (1067)	
	22	Floor to Bottom of Battery (Vertical / Roller / Forks)		in. (mm)	5.7 (145) / 10.2 (259) / 9.9 (252)	
	23	Ground Clearance	Lowest Point (NL/RL)	in. (mm)	3.9/3.3 (98/83)	
	24	Ground Clearance	Center of Truck (NL/RL)	in. (mm)	5.4/5.3 (137/134)	
	25	Load Distance	Center of Wheel to Face of Forks	in. (mm)	16.5 (419)	
	27	Length to Face of Forks	Nominal	SIZE	28" 34"	
			Chassis Length	in. (mm)	92.0 (2336) 97.6 (2480)	
	28	Wheelbase		in. (mm)	63.2 (1606) 68.9 (1750)	
	29	Right Angle Stack		in. (mm)	141.8 (3602) 147.3 (3742)	
30	Equal Aisle	90° Intersecting Aisle	in. (mm)	78.2 (1986) 80.7 (2049)		
31	Outside Turning Radius		in. (mm)	76 (1931) 81.6 (2073)		
WT.	32	Truck Weight	Without Battery (NL)	lb. (kg)	6360 (2885) 6560 (2976)	
	33	Axle Loading - Drive	Static with Max. Wt. Battery (NL/RL)	lb. (kg)	5266/13470 (2389/6110) 5718/13659 (2594/6196)	
	34	Axle Loading - Steer	Static with Max. Wt. Battery (NL/RL)	lb. (kg)	5236/2032 (2375/922) 5762/2821 (2614/1280)	
PERFORMANCE	35	Travel Speed	(NL/RL)	mph (km/h)	Standard Performance Premium Performance Package	
					11.2/11.2 (18/18) 13/13 (21/21)	
	36	Lift Speed	Std 2 Stg LFL Mast (NL/RL)	ft/min (m/sec)	124/75 (0.63/0.38) 142/96 (0.72/0.49)	
			Opt 2 Stg FFL Mast (NL/RL)	ft/min (m/sec)	124/77 (0.63/0.39) 130/93 (0.66/0.47)	
			Opt 3 Stg FFL Mast (NL/RL)	ft/min (m/sec)	124/77 (0.63/0.39) 134/94 (0.68/0.48)	
	37	Lower Speed	Std 2 Stg LFL Mast (NL/RL)	ft/min (m/sec)	100/112 (0.51/0.57)	
			Opt 2 Stg FFL Mast (NL/RL)	ft/min (m/sec)	91/106 (0.46/0.54)	
			Opt 3 Stg FFL Mast (NL/RL)	ft/min (m/sec)	93/108 (0.47/0.55)	
38	Gradability	5 Minute Rating (NL/RL)	%	35/24 38/26		
		60 Minute Rating (NL/RL)	%	12/8 13/9		
39	Drawbar Pull	5 Minute Rating (NL/RL)	lbf	4248/4148 4588/4480		
		60 Minute Rating (NL/RL)	lbf	1287/1257 1390/1357		
40	Brake	Method of Control (Service/Parking)		Hydraulic/Mechanical		
		Method of Operation (Service/Parking)		Foot/Automatic		
ELECTRIC	41	Battery	Type	Lead Acid or Lithium-Ion		
	42	Traction Motors (Dual)	60 Minute Rating (Each)	hp (kW)	13.4 (10) 13.4 (10)	
	43	Pump Motor	15 Minute Rating	hp (kW)	21.5 (16) 32.2 (24)	
	44	Traction Motors	Type/Control Method	Dual AC/Transistor		
	45	Pump Motor	Type/Control Method	AC/Transistor		
	46	Number of Speeds	Traction/Pump	Infinitely Variable/Infinitely Variable		
OTHER	47	Step Height		in. (mm)	18.7 (475)	
	48	Floor Height	Without/With Battery Rollers	in. (mm)	27.8/31.9 (706/810)	
	49	Attachment Relief Pressure		psi (bar)	2250 (155)	
	50	Auxiliary Oil Flow	3rd and 4th Function	gal/min (l/min)	11 (40)	
	51	Sound Level	Measured per ANSI B56.11.5	dB (A)	63 65	

GENERAL SPECIFICATIONS ERP060VL

GENERAL	1	Manufacturer		Yale®
	2	Model Designation		ERP060VL
	3	Power/Voltage		Electric/80 Volts
	4	Operation		Sit
	5	Rated Capacity	lb. (kg)	6000 (2722)
	6	Load Center	in. (mm)	24 (610)
TIRES	7	Tire Type (Std/Opt)		Pneumatic/Pneumatic Shaped Solid
	8	Tire Size (Drive/Steer)		23 x 10 - 12/18 x 7 - 8
	9	Wheels - Number X=Driven (Drive/Steer)	front/rear	2X/2
	10	Tread	Ctr. of Tires Std Dr/Wide Dr/Steer	in. (mm) 36.9/41.5/39.1 (938/1054/992)
DIMENSIONS	11	Mast Tilt	Std Opt Opt	degrees 5F/5B 10F/5B 5F/6B
	12	Mast - Lowered Height	Std Mast	in. (mm) 87 (2192)
	13	Free Lift - Top of Fork	Std 2 Stg Limited Free Lift Mast	in. (mm) 5 (140)
			Opt 2 Stg Full Free Lift Mast with/without LBR	in. (mm) 37/60 (957/1540)
	14	Lift Height - Top of Fork	Std 2 Stg Limited Free Lift Mast	in. (mm) 126 (3209)
	15	Mast - Extended Height	Std Mast with/without LBR	in. (mm) 175/153 (4444/3861)
	16	Overhead Guard Height	Without/With Battery Rollers	in. (mm) 86.3/90.4 (2193/2297)
	17	SIP to Bottom of OHG	Seat Depressed Std/Susp/Swivel	in. (mm) 38.8/39.4/38.9 (986/1001/989)
	18	Tow Pin Height	Vertical Center of Pin	in. (mm) 10.3 (262)
	19	Overall Width	Pneumatic Tires Std/Wide Tread	in. (mm) 46.9/51.5 (1192/1308)
			PSS Tires Std/Wide Tread	in. (mm) 46.2/50.7 (1173/1289)
	20	Forks	Thickness x Width x Length	in. (mm) 2 x 4.9 x 42 (50 x 125 x 1067)
	21	Standard Carriage Width		in. (mm) 42 (1067)
	22	Floor to Bottom of Battery (Vertical / Roller / Forks)		in. (mm) 5.7 (145) / 10.2 (259) / 9.9 (252)
	23	Ground Clearance	Lowest Point (NL/RL)	in. (mm) 3.9/3.3 (98/83)
	24	Ground Clearance	Center of Truck (NL/RL)	in. (mm) 5.4/5.3 (137/134)
	25	Load Distance	Center of Wheel to Face of Forks	in. (mm) 17.0 (431)
			Nominal	SIZE 34"
	27	Length to Face of Forks	Chassis Length	in. (mm) 98.1 (2492)
	28	Wheelbase		in. (mm) 68.9 (1750)
	29	Right Angle Stack		in. (mm) 147.3 (3742)
30	Equal Aisle	90° Intersecting Aisle	in. (mm) 80.7 (2049)	
31	Outside Turning Radius		in. (mm) 81.6 (2073)	
WT.	32	Truck Weight	Without Battery (NL)	lb. (kg) 6730 (3053)
	33	Axle Loading - Drive	Static with Max. Wt. Battery (NL/RL)	lb. (kg) 5930/15499 (2690/7030)
	34	Axle Loading - Steer	Static with Max. Wt. Battery (NL/RL)	lb. (kg) 5714/2145 (2592/973)
PERFORMANCE	35	Travel Speed	(NL/RL)	mph (km/h) Standard Performance Premium Performance Package
				11.2/10.6 (18/17) 13/12.1 (21/19.5)
	36	Lift Speed	Std 2 Stg LFL Mast (NL/RL)	ft/min (m/sec) 116/65 (0.59/0.33) 124/83 (0.63/0.42)
			Opt 2 Stg FFL Mast (NL/RL)	ft/min (m/sec) 108/65 (0.55/0.33) 116/81 (0.59/0.41)
			Opt 3 Stg FFL Mast (NL/RL)	ft/min (m/sec) 112/65 (0.57/0.33) 118/81 (0.60/0.41)
	37	Lower Speed	Std 2 Stg LFL Mast (NL/RL)	ft/min (m/sec) 91/110 (0.46/0.56)
			Opt 2 Stg FFL Mast (NL/RL)	ft/min (m/sec) 73/102 (0.37/0.52)
			Opt 3 Stg FFL Mast (NL/RL)	ft/min (m/sec) 79/104 (0.4/0.53)
38	Gradability	5 Minute Rating (NL/RL)	% 34/22 37/24	
		60 Minute Rating (NL/RL)	% 11/7 12/8	
39	Drawbar Pull	5 Minute Rating (NL/RL)	lbf 4146/4037 4477/4360	
		60 Minute Rating (NL/RL)	lbf 1256/1223 1357/1321	
40	Brake	Method of Control (Service/Parking)	Hydraulic/Mechanical	
		Method of Operation (Service/Parking)	Foot/Automatic	
ELECTRIC	41	Battery	Type	Lead Acid or Lithium-Ion
	42	Traction Motors (Dual)	60 Minute Rating (Each)	hp (kW) 13.4 (10) 13.4 (10)
	43	Pump Motor	15 Minute Rating	hp (kW) 21.5 (16) 32.2 (24)
	44	Traction Motors	Type/Control Method	Dual AC/Transistor
	45	Pump Motor	Type/Control Method	AC/Transistor
	46	Number of Speeds	Traction/Pump	Infinitely Variable/Infinitely Variable
OTHER	47	Step Height	in. (mm)	18.7 (475)
	48	Floor Height	Without/With Battery Rollers	in. (mm) 27.8/31.9 (706/810)
	49	Attachment Relief Pressure		psi (bar) 2250 (155)
	50	Auxiliary Oil Flow	3rd and 4th Function	gal/min (l/min) 11 (40)
	51	Sound Level	Measured per ANSI B56.11.5	dB (A) 63 65

GENERAL SPECIFICATIONS ERP070VL

GENERAL	1	Manufacturer		Yale®
	2	Model Designation		ERP070VL
	3	Power/Voltage		Electric/80 Volts
	4	Operation		Sit
	5	Rated Capacity	lb. (kg)	7000 (3175)
	6	Load Center	in. (mm)	24 (610)
TIRES	7	Tire Type (Std/Opt)		Pneumatic/Pneumatic Shaped Solid
	8	Tire Size (Drive/Steer)	in.	23 x 10 - 12/18 x 7 - 8
	9	Wheels - Number X=Driven (Drive/Steer)	front/rear	2X/2
	10	Tread	Ctr. of Tires Std Dr/Wide Dr/Steer	in. (mm) 36.9/41.5/39.1 (938/1054/992)
DIMENSIONS	11	Mast Tilt	Std Opt Opt	degrees 5F/5B 10F/5B 5F/6B
	12	Mast - Lowered Height	Std Mast	in. (mm) 87 (2192)
	13	Free Lift - Top of Fork	Std 2 Stg Limited Free Lift Mast	in. (mm) 5 (140)
			Opt 2 Stg Full Free Lift Mast with/without LBR	in. (mm) 37/60 (957/1540)
	14	Lift Height - Top of Fork	Std 2 Stg Limited Free Lift Mast	in. (mm) 126 (3209)
	15	Mast - Extended Height	Std Mast with/without LBR	in. (mm) 175/153 (4444/3861)
	16	Overhead Guard Height	Without/With Battery Rollers	in. (mm) 86.3/90.4 (2193/2297)
	17	SIP to Bottom of OHG	Seat Depressed Std/Susp/Swivel	in. (mm) 38.8/39.4/38.9 (986/1001/989)
	18	Tow Pin Height	Vertical Center of Pin	in. (mm) 10.3 (262)
	19	Overall Width	Pneumatic Tires Std/Wide Tread	in. (mm) 46.9/51.5 (1192/1308)
			PSS Tires Std/Wide Tread	in. (mm) 46.2/50.7 (1173/1289)
	20	Forks	Thickness x Width x Length	in. (mm) 2 x 4.9 x 42 (50 x 125 x 1067)
	21	Standard Carriage Width		in. (mm) 42 (1067)
	22	Floor to Bottom of Battery (Vertical / Roller / Forks)		in. (mm) 9.8 (250)
	23	Ground Clearance	Lowest Point (NL/RL)	in. (mm) 3.9/3.3 (98/83)
	24	Ground Clearance	Center of Truck (NL/RL)	in. (mm) 5.4/5.2 (137/132)
	25	Load Distance	Center of Wheel to Face of Forks	in. (mm) 17.0 (431)
			Nominal	SIZE 34"
	27	Length to Face of Forks	Chassis Length	in. (mm) 101.2 (2570)
	28	Wheelbase		in. (mm) 68.9 (1750)
	29	Right Angle Stack		in. (mm) 149.9 (3808)
30	Equal Aisle	90° Intersecting Aisle	in. (mm) 81.8 (2078)	
31	Outside Turning Radius		in. (mm) 84.2 (2139)	
WT.	32	Truck Weight	Without Battery (NL)	lb. (kg) 7420 (3366)
	33	Axle Loading - Drive	Static with Max. Wt. Battery (NL/RL)	lb. (kg) 5814/16979 (2637/7702)
	34	Axle Loading - Steer	Static with Max. Wt. Battery (NL/RL)	lb. (kg) 6525/2360 (2960/1070)
PERFORMANCE	35	Travel Speed	(NL/RL)	mph (km/h) Standard Performance Premium Performance Package
				11.2/9.9 (18/16) 13/11.2 (21/18)
	36	Lift Speed	Std 2 Stg LFL Mast (NL/RL)	ft/min (m/sec) 116/61 (0.59/0.31) 124/73 (0.63/0.37)
			Opt 2 Stg FFL Mast (NL/RL)	ft/min (m/sec) 108/61 (0.55/0.31) 116/73 (0.59/0.37)
			Opt 3 Stg FFL Mast (NL/RL)	ft/min (m/sec) 112/61 (0.57/0.31) 118/73 (0.60/0.37)
	37	Lower Speed	Std 2 Stg LFL Mast (NL/RL)	ft/min (m/sec) 91/114 (0.46/0.58)
			Opt 2 Stg FFL Mast (NL/RL)	ft/min (m/sec) 73/106 (0.37/0.54)
			Opt 3 Stg FFL Mast (NL/RL)	ft/min (m/sec) 79/110 (0.40/0.56)
38	Gradability	5 Minute Rating (NL/RL)	% 32/20 35/22	
		60 Minute Rating (NL/RL)	% 10/6 11/7	
39	Drawbar Pull	5 Minute Rating (NL/RL)	lbf 4243/4064 4583/4389	
		60 Minute Rating (NL/RL)	lbf 1286/1232 1389/1330	
40	Brake	Method of Control (Service/Parking)	Hydraulic/Mechanical	
		Method of Operation (Service/Parking)	Foot/Automatic	
ELECTRIC	41	Battery	Type	Lead Acid or Lithium-Ion
	42	Traction Motors (Dual)	60 Minute Rating (Each)	hp (kW) 13.4 (10) 13.4 (10)
	43	Pump Motor	15 Minute Rating	hp (kW) 21.5 (16) 32.2 (24)
	44	Traction Motors	Type/Control Method	Dual AC/Transistor
	45	Pump Motor	Type/Control Method	AC/Transistor
	46	Number of Speeds	Traction/Pump	Infinitely Variable/Infinitely Variable
OTHER	47	Step Height	in. (mm)	18.7 (475)
	48	Floor Height	Without/With Battery Rollers	in. (mm) 27.8/31.9 (706/810)
	49	Attachment Relief Pressure		psi (bar) 2250 (155)
	50	Auxiliary Oil Flow	3rd and 4th Function	gal/min (l/min) 11 (40)
	51	Sound Level	Measured per ANSI B56.11.5	dB (A) 63 65

FEATURES LIST

PERFORMANCE	STD	OPT	ERGONOMICS continued		
80 Volt electrical system	•		Black ELR (Emergency Locking Retractor) non-cinch seat belt with start interlock		•
Standard performance	•		Low mount display		•
AC traction and pump motors (completely brushless)	•		Oil-cooled wet disc brakes	•	
Transistor drive and pump control	•		Automatic park brake	•	
Advanced vsm (vehicle system manager)	•		ADS (Auto Deceleration System) with regenerative braking	•	
Dual drive motors	•		Anti cinch operator restraint system	•	
Progressive thermal management system	•		Operator presence system (ops)	•	
Powerplus performance		•	Full steel cab: includes front panel with wiper / washer, rear panel with wiper/ washer, steel doors, top panel with headliner and dome light		•
Lead Acid	•		Front and top cab panels: includes front panel with wiper / washer and top panel		•
Lithium-ion		•	Battery side covers	•	
DRIVE	STD	OPT	OPERATION	STD	OPT
Pneumatic drive tire and steer tire	•		Battery compartment size: 28" (ERP45-50VL); 34" (ERP60-70VL)	•	
Solid pneumatic tires		•	IP54 sealed drive axle/motors with belly pan and side shields		•
Wide tread tires		•	Lift out battery extraction	•	
LIFT	STD	OPT	Standard construction	•	
2-Stage limited free lift (lfl) Hi-Vis™ mast with maximum fork height of 133" (3392mm) (ERP045-50VL) or 126" (3209mm) (ERP060-70VL)	•		UL classification type "E"	•	
5° Forward and 5° back mast tilt	•		Key switch start	•	
Available with 2-stage limited free lift (lfl) and 2- or 3-stage full free lift (ffl) Hi-Vis™ masts		•	86.3" Grid style overhead guard	•	
Mast tilt option – 10° forward / 5° back		•	Fully integrated canbus communication	•	
Mast tilt option – 5° forward / 6° back		•	On-demand power steering	•	
Return to set tilt		•	Static strap	•	
Accumulator		•	Tow pin	•	
Load weight indicator		•	Side extraction battery removal with rollers		•
Tilt cylinder boots		•	Rapid / fast charge		•
HANDLING	STD	OPT	UL classification type "EE"		•
42" (1067mm) wide class ii (ERP045-50VL) or class iii (ERP060-70VL) hook-type carriage with 48" (1219mm) high load backrest extension	•		Continuous Stability System (CSS™)	•	
42" (1067mm) long forks	•		3 Function hydraulic control valve with seat side mechanical levers	•	
Carriage with integral sideshift		•	On-board software		
Carriage with integral sideshifting fork positioner		•	–Program, test & diagnose	•	
			–Password protected		
ERGONOMICS	STD	OPT	"Zero turn" steer axle	•	
12" Steering wheel with integral spinner knob	•		34" Battery compartment for the ERP050VL		•
Non-suspension vinyl seat	•		4 Function hydraulic control valve		•
Black, non-cinch seat belt with Emergency Locking Retractor	•		Keyless start (with auxiliary key switch)		•
Foot Directional Control Pedal	•		LED and halogen work light packages	•	
Power assist braking	•		LED dome / reading light	•	
Multifunction display			LED brake / tail / back-up light packages	•	
– Battery state of charge with low battery lift interrupt			Audible reverse activated alarm	•	
– Hour meter	•		Visible amber strobe light - continuous activated, overhead guard mounted		•
– Performance mode indicator			Impact monitor		•
– Fault indicator (audible & visible)			Operator password		•
– 4 Operator selectable, programmable performance modes"			Operator daily checklist		•
Easy ingress / egress with low step height and contoured handhold	•		System monitor – hydraulic low fluid level indicator and hydraulic filter service indicator		•
Operator convenience station - storage areas, beverage & clipboard holders	•		Hydraulic attachment extension tubes with or without quick disconnect fittings		•
Adjustable tilt steering column with low profile cowl for excellent visibility	•		Fire extinguisher – 2.5 Lb. Dry chemical		•
Cushioned floormat	•		Integrated rapid charge		•
Seatside power disconnect button	•		Front mud guards		•
Accutouch hydraulic mini-levers with fully adjustable armrest		•	Electronic horn with integral relay (long life / no adjustments)	•	
Non-suspension seat (cloth)		•	Outdoor protection / wash-down package		•
Full suspension seat (vinyl or cloth)		•	Yale Reliant™		•
Swivel seat, full suspension (vinyl or cloth)		•	SUPPLEMENTAL	STD	OPT
Seat side directional control		•	36 Month / 6,000 hour powertrain warranty	•	
Telescopic steering column with tilt memory		•	12 Month / 2,000 hour full truck warranty	•	
Rear drive handle with integrated horn button		•	Operating manual	•	
Mirrors – rear view or panoramic		•			
Synchronous steering		•			
Black ELR (Emergency Locking Retractor) non-cinch seat belt		•			

About Yale®



Yale Materials Handling Corporation is one of the oldest manufacturers of lift trucks in the world. We've been in the business of lifting since 1875 and we apply that experience to help customers solve materials handling challenges. Our full line of lift trucks range in capacity from 2,000 to 36,000 pounds and are powered by internal combustion engines or electric options. Yale also offers robotic solutions, telemetry, fleet management, parts, financing and training. From traditional lift truck equipment to emerging technologies, our goal, every day, is to work with our nationwide dealer network to continually improve and provide the solutions you need, when and how you need them.

MATERIALS HANDLING FOR:



3PL



Auto Parts
Distribution



Beverage



Cold & Frozen
Foods



Food
Distribution



Food
Processing



Furniture &
Furnishings



Government



Health &
Pharma



Home
Centers




Retail &
E-Commerce

Yale Materials Handling Corporation

P.O. Box 7367
Greenville, NC 27835-7367
U.S.A.

www.yale.com

Yale, and PEOPLE, PRODUCTS, PRODUCTIVITY are trademarks of Hyster-Yale Group, Inc.  is a registered copyright of Hyster-Yale Group, Inc. © Yale Materials Handling Corporation 2021. All rights reserved.

Trucks may be shown with optional equipment. Truck performance may be affected by the condition of the vehicle, how it is equipped and the application. Specifications are subject to change without notice. Consult your Yale® Dealer if any of the information shown is critical to your application.

CERTIFICATION: Yale lift trucks meet the design and construction requirements of B56.1-1969, per OSHA Section 1910.178(a)(2), and also comply with the B56.1 revision in effect at time of manufacture. Classified by Underwriters' Laboratories, Inc.