



4-Wheel, Sit-down
Electric Counterbalanced
Pneumatic Tires



ERP-VM
8,000-12,000 lbs.

Get the truck. Get the team.

Yale is all about its customers. What sets us apart isn't simply our ergonomically designed, hardworking trucks—it's our ability to listen. Listening allows us to truly understand your goals and objectives. We then tailor our solutions to help you reach them. We work hard for you, whenever it's needed. Plus, our dealer network is second to none, which enables our team to quickly respond on a local level. It all comes back to you, the customer.

You'll find that philosophy at work in the new Yale® ERP-VM available in 8,000, 9,000 and 10,000 lb. short wheelbase capacities and 10,000, 11,000 and 12,000 lb. long wheelbase capacities. They were built with you in mind and are the only pneumatic tire, electric sit-down rider lift trucks backed by the incomparable Yale team.



**Get more
from your truck.
Move more of
your product.**

THE **VM**
4-WHEEL
ELECTRIC

Highlights



- Designed around you**
 - Tilt steer column
 - Pneumatic tires for comfortable ride
 - Spacious and ergonomic operator compartment
- Built to perform**
 - 80-Volt electrical system
 - “Extended shift” feature
 - Customizable performance
 - Automatic park brake
- Dependability meets affordability**
 - Oil-cooled wet disc brakes
 - CANbus technology
 - Rolled steel mast channels
- We’ve got you covered**
 - Guaranteed availability program
 - 24/7 customer service
 - ProTech training
- Better for the environment.
Better for you.**
 - Reduced energy consumption
 - Technology that matters
 - Zero emissions

Comfort is efficiency

□ Built to be operator friendly

More flexible

The right fit for every operator is easy with an infinitely adjustable steering column with available telescopic adjustment and tilt memory. Plus, you have a choice of two configurations that employ seat-side hydraulic levers or Accutouch mini-levers to provide you unsurpassed, low effort, tactile control of all hydraulic functions.

More drivable

The ERP-VM is equipped with pneumatic tires, so operating these lift trucks feels more like operating your car. The forward placement and angle of its pedals provide more operator foot room, and the placement and size of the brake pedal allows actuation with either foot. With the auto deceleration system, operator fatigue is significantly reduced.

More comfortable

The “Drop Battery Box” design results in both a low seat position and low step height, reducing operator effort for entry and exit. The easy-to-use 3-point entry design of our operator compartment minimizes muscle and joint strain during entry for operators who are frequently getting on and off the truck. The overhead guard leg profile provides shoulder clearance for easy entry and exit.

The operator convenience station provides an industry-leading dash storage area for almost anything an operator needs.





An optional rear drive handle provides an excellent handhold for reverse driving while giving ready access to the auxiliary horn button.



Operator interface provides easy access to truck system status.



Seat is rotated 3° to the right for a more natural operating position, and offers easy fore/aft adjustment. An optional full suspension seat offers adjustable weight control.



The standard 12-inch steering wheel with integrated spinner knob reduces fatigue, provides more knee room, and goes lock-to-lock in just 4.3 turns for superior efficiency, maneuverability and control.



Choose from the standard ergonomically placed thumb actuated seatside directional control or the foot directional control (FDC) (at no extra charge).



Built for the job. Any job.

Whether it's a short shuttle run or long haul, the ERP-VM is up to the task, as long as the goal is increasing your throughput.

More powerful

An 80-volt electrical system is standard. Also standard is the Extended Shift feature which allows enhanced run time over longer periods without recharging. A significant increase in loaded travel speeds and acceleration rates beyond the standard setting is possible when the Extended Shift setting is turned off. Regardless of the setting, though, you'll be surrounded by a unitized frame construction, lending to the truck's excellent durability.

More options

Adjustment of customizable performance parameters to match your application needs is accessible via the multifunction display. A choice of weather protection options promotes a comfortable, high-performing working environment regardless of the conditions.

An optional premium, fully integrated "quick connect" rapid charge system simplifies the charging operation. The side-mounted port is easy to access, making charging the truck a simple task.



The multifunction display, located in the upper right corner of the operator's compartment, offers greater visibility for the operator with a large, LCD backlit screen for easy viewing and indicator icons for at-a-glance system status updates.



The operator convenience station provides industry-leading dash storage area, creating a productive work environment and a place for almost anything an operator needs.



AC transistor hydraulic control enables precise load handling with greater efficiency and less noise.



Continuous Stability System (CSS™) bolsters stability without compromising uneven surface travel.



ERP-VM

4-WHEEL

ELECTRIC

SIT-DOWN

PNEUMATIC

As dependable as our people

What you can't afford is downtime. That's why the ERP-VM was designed and built with industrial grade critical components—they ensure outstanding productivity and value.

○ Less downtime

AC motors eliminate brushes, which means there are none to service—ever. The oil-cooled wet disc brakes are completely sealed from water and other contaminants, virtually eliminating brake maintenance. And the auto deceleration system extends brake life by automatically slowing the truck through regenerative braking when the accelerator pedal is released.

○ Less worries

The ERP-VM's CANbus technology reduces wiring, thereby reducing maintenance. And the 10-micron hydraulic filter captures 99.5% of hydraulic system debris, keeping things running smoothly for you by extending the lift truck's component life.

○ Less headaches

Rolled steel mast channels distribute stress more effectively, and the canted load rollers absorb front-to-back and side-to-side forces for better durability and reduced adjustments. Additionally, full face contact of the rollers prevents excessive wear of the channel and prolongs roller life.





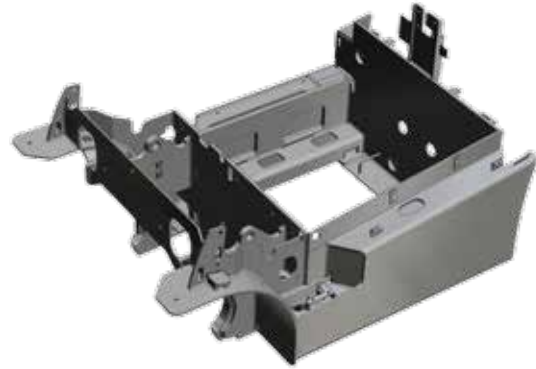
A single pump and motor provides hydraulic flow for both the steer system and the mast functions.



Innovative thermal management system protects key components, while ensuring maximum productivity.



Tough cast ductile iron axles provide one-piece integrity for outstanding durability.



A unitized frame design and welded steel construction provide better overall rigidity, as well as better protection of the internal components. The exceptional strength and durability are made possible by our Finite Element Analysis. And if that sounds high-tech, it's because it is.



Count on it. Count on us.

The ERP-VM is designed to require less maintenance. However, if maintenance is needed, the trucks are designed to simplify that process—and are both backed by Yale Gold Service.

More serviceable

At Yale, our engineers have equipped the ERP-VM series trucks with easily-removable floor plates, a rear-hinged hood that offers exceptional access to components, simplified wire and hose routing, clearly numbered wires with sealed connectors, CANbus technology and brushless AC motors, all making the VM series easy to service.





Lift-out floor plates require no tools for quick and easy service and checks. A rear-hinge hood offers exceptional access to components, making service easier.

The trucks oil-cooled, wet disc brakes provide a virtually maintenance-free braking system, and the standard automatic park brake eliminates the maintenance and adjustments required of a manual park brake system.



The Intellix VSM (Vehicle Systems Manager) continuously monitors and controls all major truck functions for efficiency and proper operation.



Supporting customers with world-class parts and service

Our Guaranteed Availability Program (G.A.P.) ensures that parts that are normally required in the first two years of operation will be available from your Yale® parts dealer within 24 hours or they are free. With four Parts Distribution Centers strategically located around the world, we provide a full range of original equipment and aftermarket parts that maintain our customers' uptime.*



We also take that commitment into the field with the Yale ProTech® Certification training program. The ProTech® technical training program provides both systems level as well as product specific education to ensure lift trucks are repaired right the first time.



*Consult your local dealer for G.A.P. program rules.

Zero emissions. Zero compromises.

Yale has been a leading producer of zero emission trucks for years, so it's no surprise that the ERP-VM delivers high performance and battery extending technologies.

○ Better technology

In the ERP-VM, energy is recaptured during braking and then reused to reduce overall consumption. And non-productive energy is reduced through weight reduction, drive-train efficiency and hydraulic system efficiency. And the standard "Extended Shift" setting provides the optimum balance between performance needs and battery life.

○ Better research

Yale was among the first to utilize working fuel cells in actual applications. And, in the coming years, Yale will continue to research alternative solutions in energy technology to enable a broader range of customers to make the switch to electric.

○ Better tomorrow

Yale is constantly testing, collaborating and researching in order to stay ahead of the curve. That means reducing your impact on the environment without reducing your throughput. In other words, switching from internal combustion to electric has never been easier for you—or better for the environment.

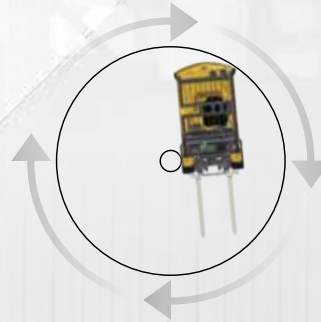


The “Zero Turn” radius steer axle and dual AC drive motors combine to provide extraordinary maneuverability in congested areas and narrow aisles.



More agile

Maneuverability is enhanced by an innovative “Zero Turn” radius design. In addition to precise speed control with excellent acceleration, you’ll find changes in travel direction to be quick and smooth and you’ll find slowing and stopping easier than ever with Power Assist Braking. Plus, with the exclusive Hi-Vis™ Mast, you’ll get industry-leading lift and lower speeds combined with superb visibility.



Conventional differential drive axle design



Yale® Dual Drive Motor Design



Experience more. Experience Yale.

With Yale, you know you're getting more than just a truck. You're getting the complete Yale experience. It's the promise we make that goes beyond our products, and it's our commitment to support you with the best service in the industry.



Dealer Network - Yale customers have direct access to the best forklift products and services through our extensive, independent dealer network, featuring 340 worldwide dealer locations (225 in the Americas) with an average of more than 25 years of experience in materials handling.



Financial Services - Yale Financial Services specializes in financing your lift truck needs. Our programs make it easy to acquire the use of a lift truck or an entire fleet.



Fleet Management - Even if you operate other brands, we can manage your maintenance and replacement plans. We can offer complete fleet analysis, fleet history summary and a cost-effective proposal for replacement and scheduled maintenance.



Innovations - One size doesn't always fit all. Yale has engineered a variety of truck modifications to meet the ever-changing needs of its customers and their changing applications. In addition to standard and optional truck features, Yale offers an impressive list of special truck enhancements designed to increase your productivity.



Operator Training - Proper education in operating lift trucks minimizes the risk of injuries due to accidents while increasing productivity. Yale offers OSHA compliant materials that support the training of qualified operators.



Replacement Parts - Your authorized Yale® lift truck dealer offers genuine Yale® parts and quality parts for other makes (PREMIER™ Parts) as well as service programs—all designed to keep your trucks running efficiently and cost-effectively.



Rental - Long-term rental can provide flexibility for equipment and term tailored to your operation, fixed cost, maintenance and maximum uptime without major capital investment. Coupled with Yale® dealers' extensive short-term rental fleets, businesses can meet peak production or seasonal requirements while keeping their fleets sized for their everyday needs.



○ Anything. Anywhere. Anytime.

With top-of-the-line components, superior ergonomics and maneuverability and extended service intervals, Yale® trucks are engineered to excel. But Yale's commitment to its customers, which includes meeting every need of every customer, is equally exceptional. Why does Yale go the extra mile? Because Yale is only successful when its customers are successful.




For more information, or to find your nearest Yale® dealer, go to Yale.com.



YALE MATERIALS HANDLING CORPORATION

P.O. Box 7367, Greenville, NC 27835-7367

www.yale.com

Yale is a Registered Trademark and  is a Registered Copyright. ©Yale Materials Handling Corporation 2014. All Rights Reserved.

Manufactured in our own ISO 9001 and 14001 Registered Facilities

2355A 9/2014 All trucks shown with optional equipment.