



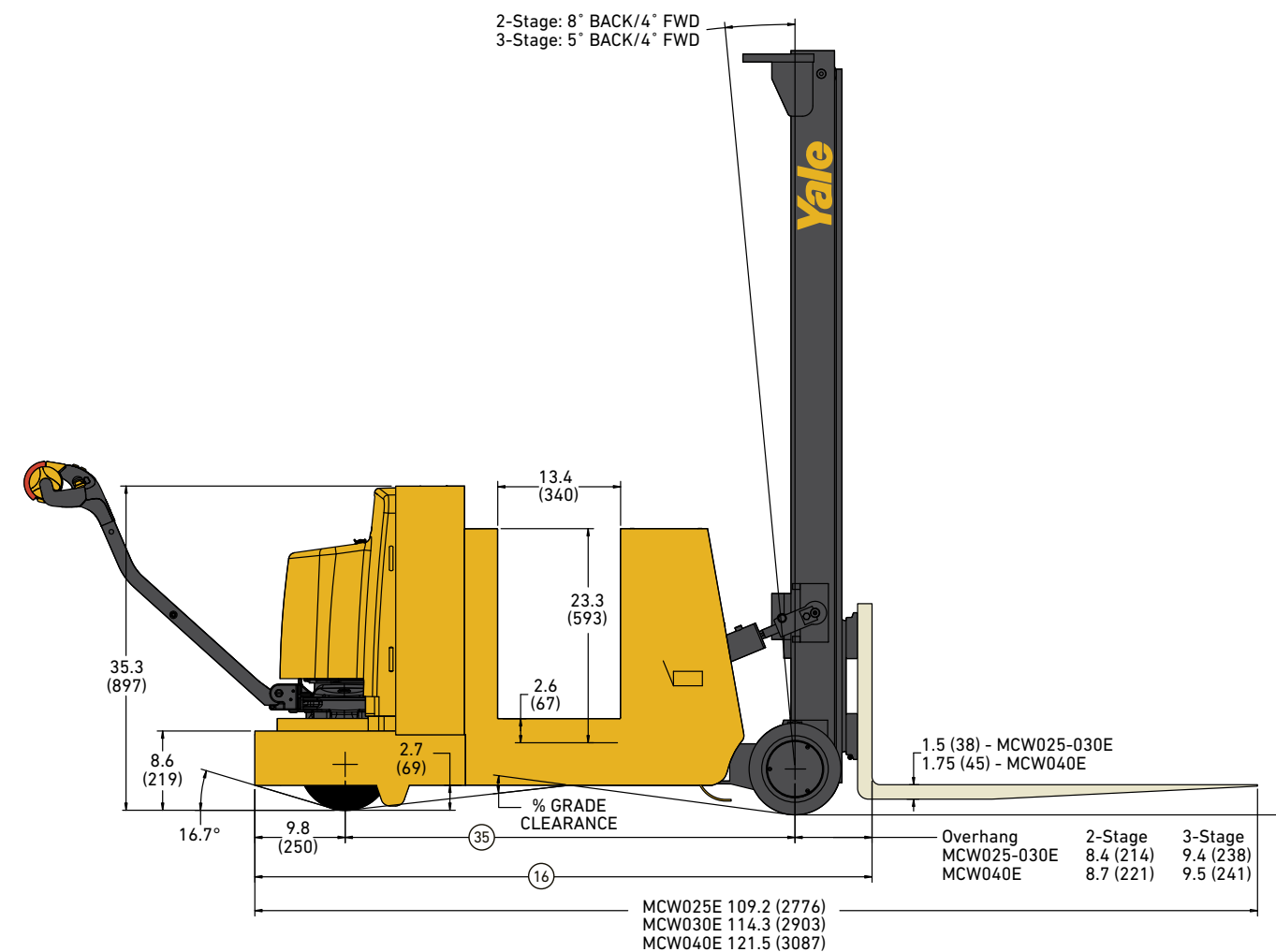
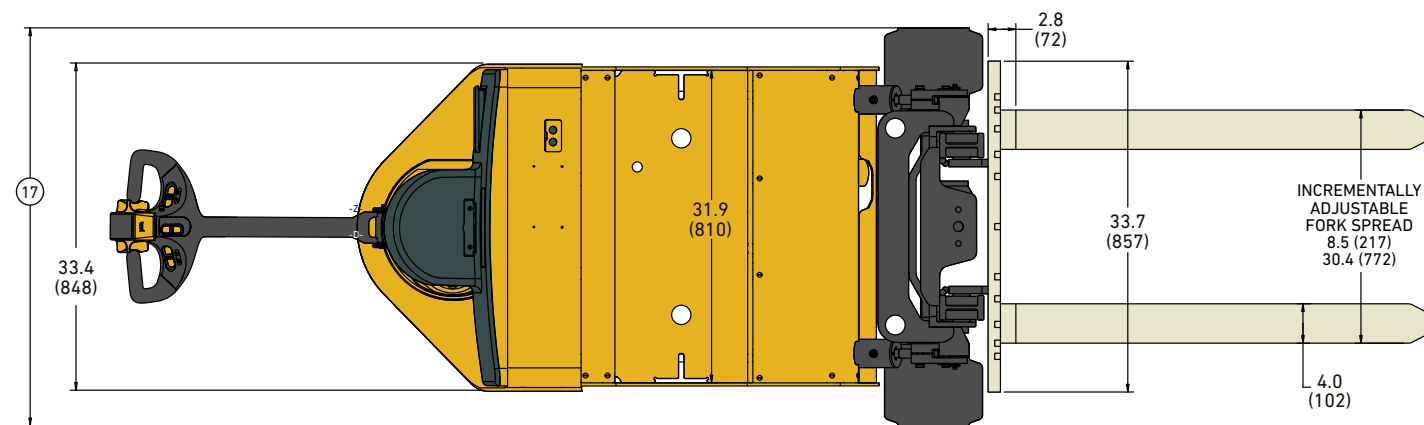
MCW 025-040E

SPEC SHEET

Counterbalanced
pallet stacker

2,500-4,000 lbs.

TRUCK DIMENSIONS - MCW025E, MCW030E, MCW040E



GENERAL SPECIFICATIONS - MCW025E, MCW030E, MCW040E

		Yale®								
		MCW025E	MCW030E	MCW040E						
GENERAL	1	Manufacturer	Yale®							
	2	Model	MCW025E	MCW030E	MCW040E					
	3	Rated capacity	lb. (kg)	2500 (1134)	3000 (1361)	4000 (1814)				
	4	Load center distance	in. (mm)	24 (610)						
	5	Power type	Electric							
	6	Operator type	Pedestrian							
	8	Tire type	load / drive	(C) Rubber/rubber	(C) Rubber/poly	(C) Poly/poly				
	9	Wheels (number x=drive)	front / rear	2 / 1x						
	DIMENSIONS	10	Lift height (top of fork)	in. (mm)	126 (3200)					
11		Upright lift with 2 stage mast	Standard free lift (top of fork)	in. (mm)	6.2 (158)					
12			Standard carriage width	in. (mm)	33.75 (857)					
13		Forks, thickness/width/length	in. (mm)	1.5x4x42 (30x102x1067)		1.75x5x42 45x127x1067				
14		Fork spread (outside dimensions)	in. (mm)	30.43 - 8.37 / (772 - 213)		30.43 - 10.32 (777 - 262)				
15		Tilt of mast (forward/backward)	degrees	4° / 8°						
16		Overall dimensions	Length to face of forks simplex/triplex	in. (mm)	65.2 (1665) / 66.1 (1688)	70.2 (1793) / 71.1 (1816)	77.2 (971) / 78.1 (1994)			
			Overall width (standard tires)	in. (mm)	38.3 (973) / 40.3 (1024)					
			Height with collapsed mast	in. (mm)	83 (2110)					
19		Ht. std. upright ext. w-w/o LBR	in. (mm)	174 (4420) / 146 (3709)						
21		Turning radius - minimum (outside)	in. (mm)	66.0 (1676)	71.0 (1803)	78.0 (1992)				
22		Load length, front overhang	in. (mm)	8.44 (214)		8.69 (225)				
23		Aisle width, rt. angle stack (add length of load)	in.	64.7 (1643)	69.7 (1770)	76.7 (1948)				
24		Equal aisle, equal aisle (less load)	in. (mm)	58.7 (1419)	61.7 (1567)	65.0 (1650)				
		Stability (comply with ANSI?)		Yes						
PERFORMANCE	25	Travel speeds, loaded/no load	mph (kmh)	2.1 / 3.0	2.9 / 3.3	2.0 / 2.9	2.7 / 3.3	2.5 / 3.2		
	26a	Lift speed - loaded	ft/min (m/s)	17	29	16	28	24		
	26b	Lift speed - no load	ft/min (m/s)	32	49	32	49	49		
	27	Lowering speed - loaded/no load	ft/min (m/s)	72 / 68		74 / 68		76 / 68		
WT.	29	Gradeability, loaded/no load (1 MPH)	%	9%						
	31	Unloaded weight, standard truck less battery	lb. (kg)	3840 (1742)	4290 (1946)	4620 (2098)				
	32	Axle loads, static w/rated load - front/rear	lb. (kg)	850 (385) / 665 (3016)	1000 (453) / 7400 (3356)	(431) / 8750 (3969)				
WHEELS/TIRES	33	Tire size	Number - front/rear	2 / 1						
			Front - drive	in.	10 x 6	10 x 7				
			Rear - loaded wheels	in.	10 x 5					
	35	Wheelbase distance	in. (mm)	49.0 (1245)	54.0 (1372)	61.0 (1549)				
	36	Tread, center of tires - front/rear	in. (mm)	33.3 (845)	35.3 (900)					
	37	Ground clearance	Unloaded at lowest point	in. (mm)	2.0 (50.8)					
Unloaded center of wheelbase			in. (mm)	3.3 (84.0)		3.3 (83.8)				
BATT.	40	Battery	Voltage	12-Volt	24-Volt	12-Volt	24-Volt	24-Volt		
			Type	Lead acid						
	42	Ampere hrs. (max.)	ah	900	510	900	510	510		
	43	Minimum weight	lb. (kg)	400 (181)	500 (227)	400 (181)	500 (227)	700 (317)		
MOTORS	44	Electric motors	Traction motor - 60 min. rating	hp	1.43	1.54	1.43	1.54	1.54	
			Pump motor - 15 min. rating	hp	4.5	6.56	4.5	6.56	4.5	6.56
			Traction motor control method		Transistor					
47	Number of speeds		Infinitely variable							
55	Relief pressure for attachments	psi	2000			2500				
56	Grade clearance	%	27	25	22					

* Based on triplex mast with maximum battery weight

STANDARD LIFT SPECIFICATIONS* - MCW025-030E

Model	O.L.H.	Freefork ht.	Max.fork ht.	Tilt	Drive tire size
	in. (mm)	in. (mm)	in. (mm)	Rwd/fwd	
Simplex	72 (1830)	6.2 (158)	104 (2640)	8/4	10 x 5
	77 (1955)	6.2 (158)	114 (2895)	8/4	10 x 5
	83 (2110)	6.2 (158)	126 (3200)	8/4	10 x 5
	92 (2335)	6.2 (158)	144 (3660)	8/4	10 x 5
	96 (2440)	6.2 (158)	152 (3860)	8/4	10 x 5
Duplex	72 (1830)	50.0 (1270)	106 (2710)	8/4	10 x 5
	77 (1955)	55.0 (1397)	116 (2960)	8/4	10 x 5
	83 (2110)	61.0 (1549)	128 (3265)	8/4	10 x 5
	92 (2335)	70.0 (1778)	146 (3725)	8/4	10 x 5
	96 (2440)	74.0 (1879)	154 (3925)	8/4	10 x 5
Triplex	72 (1830)	50.8 (1290)	157 (4000)	5/4	10 x 5
	77 (1955)	55.8 (1417)	172 (4380) †	5/4	10 x 5
	83 (2110)	61.8 (1570)	190 (4840) †	5/4	10 x 5
	92 (2335)	70.8 (1798)	217 (5525) †	5/4	10 x 5
	96 (2440)	74.8 (1900)	229 (5830) †	5/4	10 x 5

* For other available mast heights - Contact your local Yale Dealer
 Note: Without backrest. With backrest subtract 48" from mast O.L.H.
 † May have reduced capacity - Contact your local Yale Dealer.

STANDARD LIFT SPECIFICATIONS* - MCW040E

Model	O.L.H.	Free fork ht.	Max. fork ht.	Tilt	Drive tire size
	in. (mm)	in. (mm)	in. (mm)	Rwd/fwd	
Simplex	72 (1830)	6.2 (158)	100 (2540)	8/4	10 x 5
	77 (1955)	6.2 (158)	110 (2794)	8/4	10 x 5
	83 (2110)	6.2 (158)	122 (3098)	8/4	10 x 5
	92 (2335)	6.2 (158)	140 (3556)	8/4	10 x 5
	96 (2440)	6.2 (158)	148 (3759)	8/4	10 x 5
Duplex	72 (1830)	48.0 (1219)	104 (2640)	8/4	10 x 5
	77 (1955)	53.0 (1346)	114 (2895)	8/4	10 x 5
	83 (2110)	59.0 (1498)	126 (3200)	8/4	10 x 5
	92 (2335)	68.0 (1727)	144 (3660)	8/4	10 x 5
	96 (2440)	72.0 (1828)	152 (3860)	8/4	10 x 5
Triplex	72 (1830)	48.6 (1234)	153 (3886)	5/4	10 x 5
	77 (1955)	53.6 (1361)	168 (4267) †	5/4	10 x 5
	83 (2110)	59.6 (1514)	186 (4724) †	5/4	10 x 5
	92 (2335)	68.6 (1742)	213 (5410) †	5/4	10 x 5
	96 (2440)	72.6 (1844)	225 (5715) †	5/4	10 x 5

BATTERY AND COMPARTMENT SPECIFICATIONS

Model	Compartment size			Battery specifications									
				Size					Electrical			Weight	
	Width	Length	Height	Dim "X"		Dim "Y"		Dim "Z" Max	Volts	Plates	Max amp hr	Min	Max
				Min	Max	Min	Max						
MCW025-40E	31.87	13.38	6.0-Open	17.5	31.6	7.6	13.2	Open Well	12	21	900	400	1400
									24	13	510	400	1400

FEATURES LIST - MCW025E, MCW030E, MCW040E

PERFORMANCE	STD	OPT
24 Volt	●	
SEM traction control technology	●	
Energy efficient MOSFET traction/hoist controller	●	
Transistor hydraulics	●	
Auto deceleration system	●	
3 User programmable performance modes	●	
Creep speed control		●
DRIVE	STD	OPT
Drive tire		
- 10" x 5" press-on polyurethane	●	
- 10" x 5" siped polyurethane		●
Load wheels		
10" x 6" polyurethane (MCW025-030E)	●	
10" x 7" polyurethane (MCW040E)	●	
LIFT	STD	OPT
Mast (MCW025-030E)		
- 104" MLH / 72" O LH 2- stage		●
- 114" MLH / 77" O LH 2- stage		●
- 126" MLH / 83" O LH 2- stage	●	
- 144" MLH / 92" O LH 2- stage		●
- 152" MLH / 96" O LH 2- stage		●
- 157" MLH / 72" O LH 3- stage		●
- 172" MLH / 77" O LH 3- stage		●
- 190" MLH / 83" O LH 3- stage		●
- 217" MLH / 92" O LH 3- stage		●
- 229" MLH / 96" O LH 3- stage		●
Mast (MCW040E)		
- 100" MLH / 72" O LH 2- stage		●
- 110" MLH / 77" O LH 2- stage		●
- 122" MLH / 83" O LH 2- stage	●	
- 140" MLH / 92" O LH 2- stage		●
- 148" MLH / 96" O LH 2- stage		●
- 153" MLH / 72" O LH 3- stage		●
- 168" MLH / 77" O LH 3- stage		●
- 186" MLH / 83" O LH 3- stage		●
- 213" MLH / 92" O LH 3- stage		●
- 225" MLH / 96" O LH 3- stage		●
Proportional lift/lowering	●	
HANDLING	STD	OPT
33.75" Carriage	●	
34" hook type integral sidesift carriage		●
48" high load backrest extension	●	
Without load backrest		●
Forks (MCW025-030E)		
- 36" x 1.5" x 4.0" hook type - standard taper forks		●
- 42" x 1.5" x 4.0" hook type - standard taper forks	●	
- 48" x 1.5" x 4.0" hook type - standard taper forks		●
Forks (MCW040E)		
- 36" x 1.75" x 4.0" hook type - standard taper forks		●
- 42" x 1.75" x 4.0" hook type - standard taper forks	●	
- 48" x 1.75" x 4.0" hook type - standard taper forks		●
- Without forks		●

ERGONOMICS	STD	OPT
Ergonomically designed composite control handle	●	
Ergonomically designed cast aluminum control handle		●
OPERATION	STD	OPT
Key switch start	●	
Keyless toggle start with auxiliary key switch		●
Battery connector		
- 175 amp red	●	
- 175 amp grey		●
Multi-function display		
- Battery discharge indicator		●
- Hour meter		●
- Fault light		●
- lift interrupt		●
Electric horn	●	
Electro-magnetic park brake	●	
Traction reversing switch	●	
SUPPLEMENTAL	STD	OPT
12 Months / no limit full truck warranty	●	
36 months / 6,000 hours powertrain warranty	●	
60 months / 10,000 hour frame warranty	●	
3 year 6,000 hour part A comprehensive parts and labor no deduct		●
5 year 10,000 hour part A comprehensive parts and labor no deduct		●
5 year 10,000 hour part B powertrain parts and labor no deduct		●
HY-Shield - part A extension to 3 years / 6,000 hours - part B extension to 5 years / 10,000 hours		●
Parts manual		
- CD		●
- printed		●
CONSTRUCTION	STD	OPT
UL Classification Type "E"	●	
Application/environmental construction		
- Standard environmental construction +32oF	●	
- Cold storage/freezer package to -15oF		●
Battery compartment		
- 13.4" x 31.8"	●	
Lift out battery removal	●	
Side battery extraction		●
ENERGY SYSTEM	STD	OPT
Set for flooded cell	●	
Set for maintenance free		●

About Yale



Yale Lift Truck Technologies leverages over a century of material handling experience and substantial investment in innovation to bring the most advanced technology-driven lift truck solutions to market. The company offers a full line of award-winning lift trucks, including reach trucks, order pickers, turret trucks, pallet jacks and trucks, pallet stackers, tow tractors and counterbalanced forklifts, as well as powerful operator assist solutions, proven robotics and a wide range of power sources to help customers adapt to today's demanding supply chain. Yale and its independent dealer network support these solutions with comprehensive after-sales service, parts, financing and training.

MATERIALS HANDLING FOR:

Third-party logistics (3PL)

Auto parts distribution

Beverage

Cold & frozen foods

Food distribution

Food processing

Furniture & furnishings

Government

Health & pharma

Home centers & durables


Retail & e-commerce

Yale Lift Truck Technologies
P.O. Box 7367
Greenville, NC 27835-7367
U.S.A.

yale.com



EXPLORE MORE
ONLINE.
←

© 2023 Hyster-Yale Group, Inc., all rights reserved. YALE and  are trademarks of Hyster-Yale Group, Inc.

Trucks may be shown with optional equipment and/or features not available in all regions. Truck performance may be affected by the condition of the vehicle, how it is equipped and the application. Specifications are subject to change without notice. Consult your Yale® Dealer if any of the information shown is critical to your application.

CERTIFICATION: Yale lift trucks meet the design and construction requirements of B56.1-1969, per OSHA Section 1910.178(a)(2), and also comply with the B56.1 revision in effect at time of manufacture. Classified by Underwriters' Laboratories, Inc.