



# NR045EB, NDR035EB

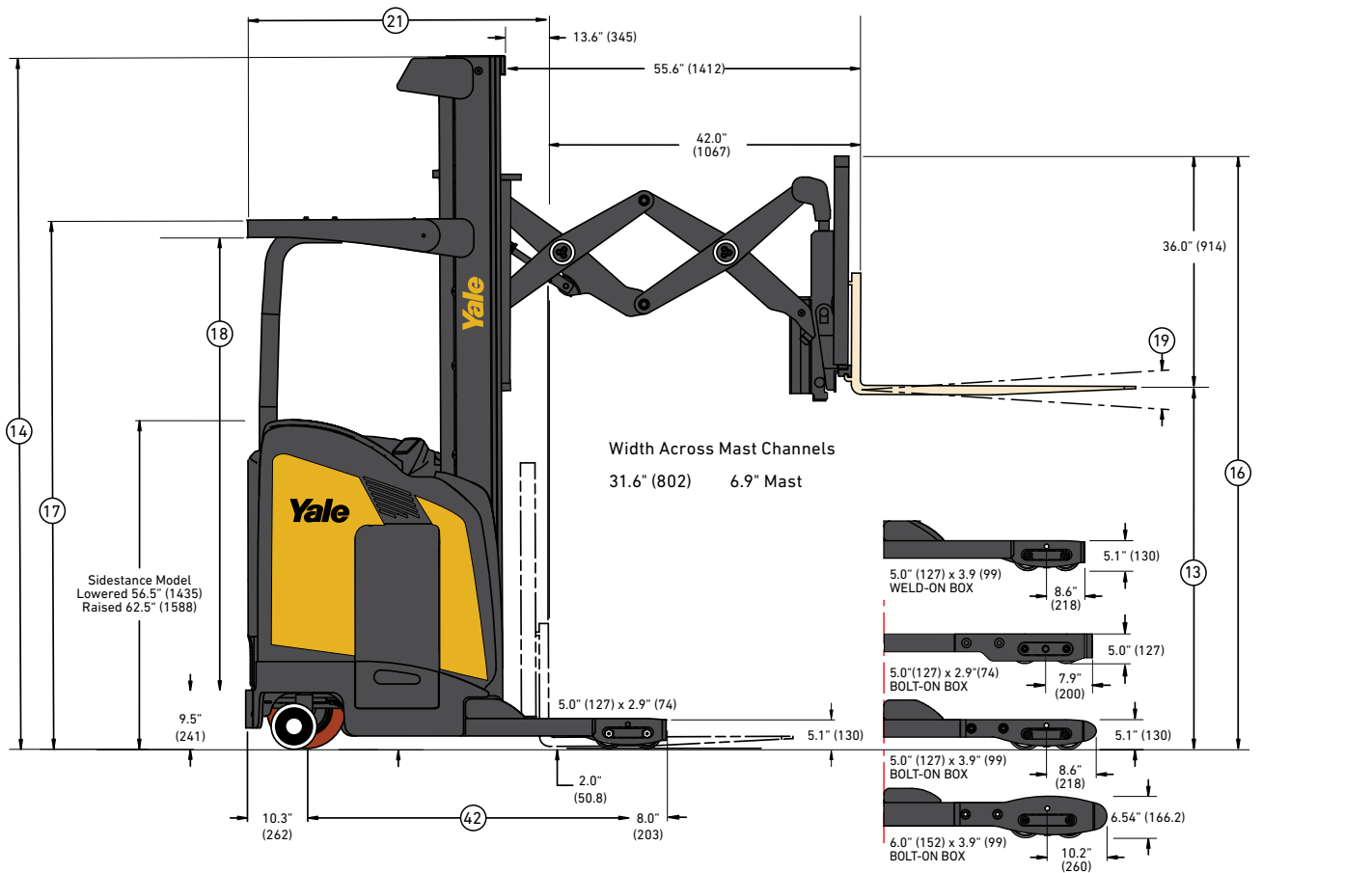
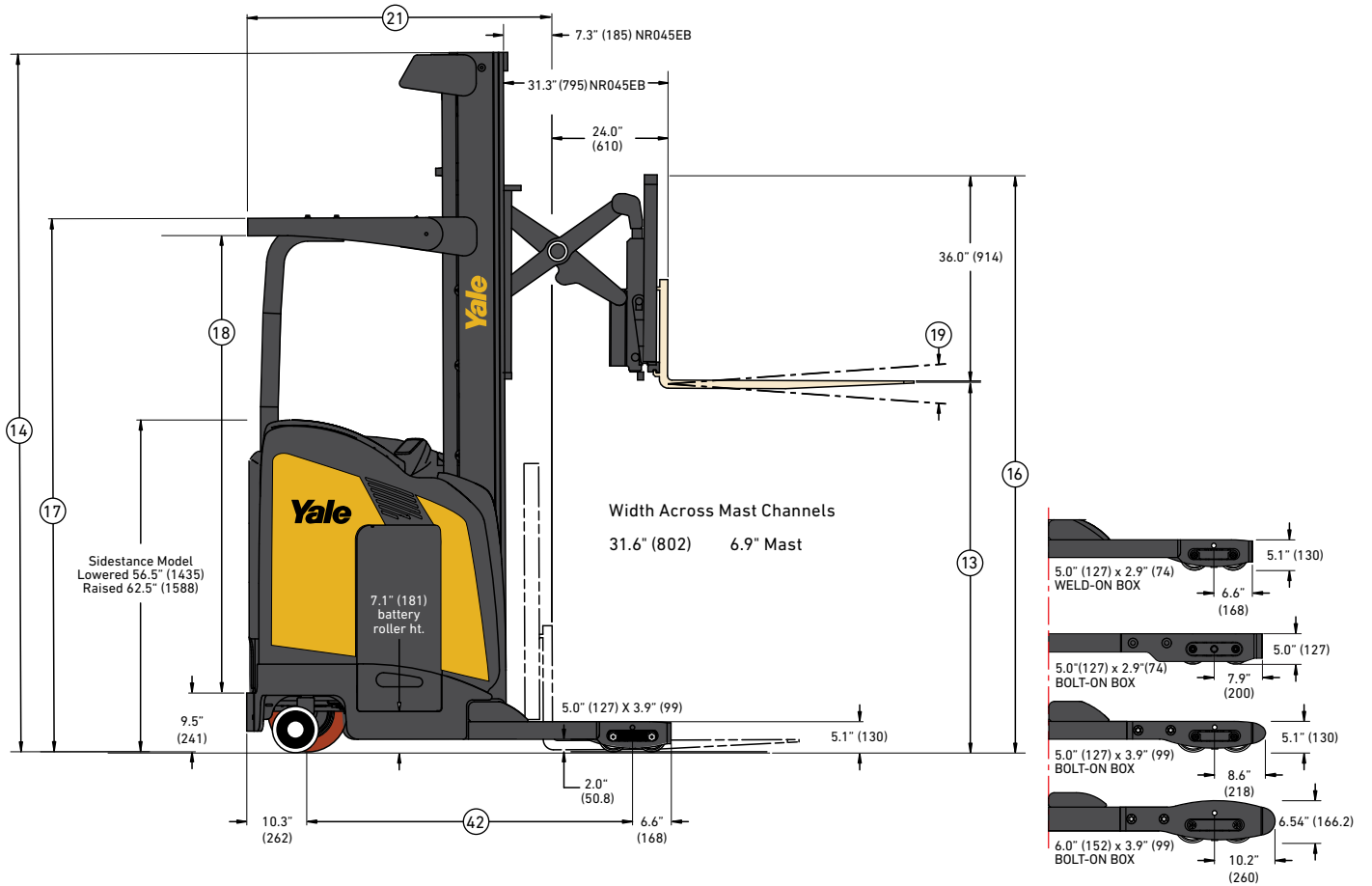
SPEC SHEET

Pantograph reach  
truck

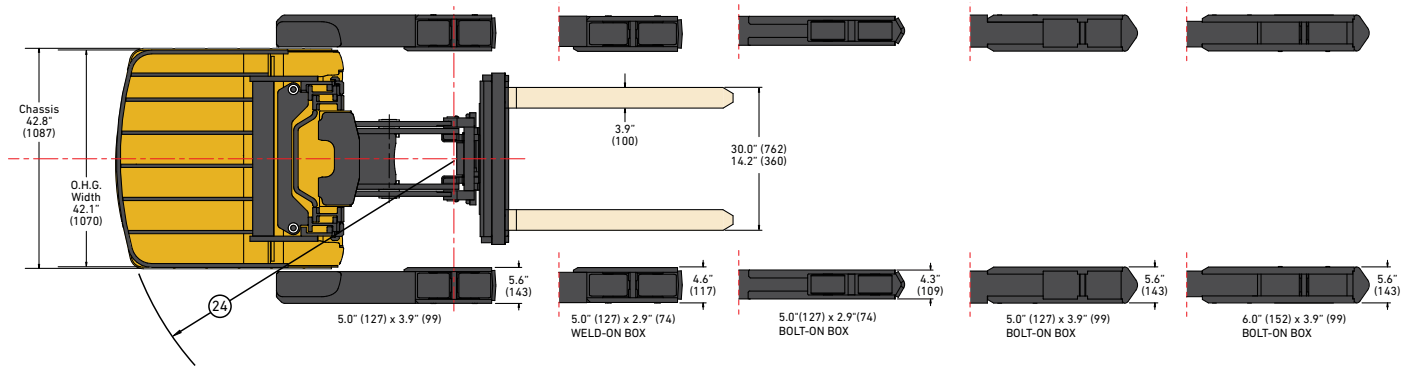
---

3,500-4,500 lbs.

# NR/NDR-EB TRUCK DIMENSIONS



Circled dimensions correspond to the line numbers on the tabulated chart inside the spec sheet. Dimensions are in inches (millimeters).



### NR/NDR-EB GENERAL SPECIFICATIONS

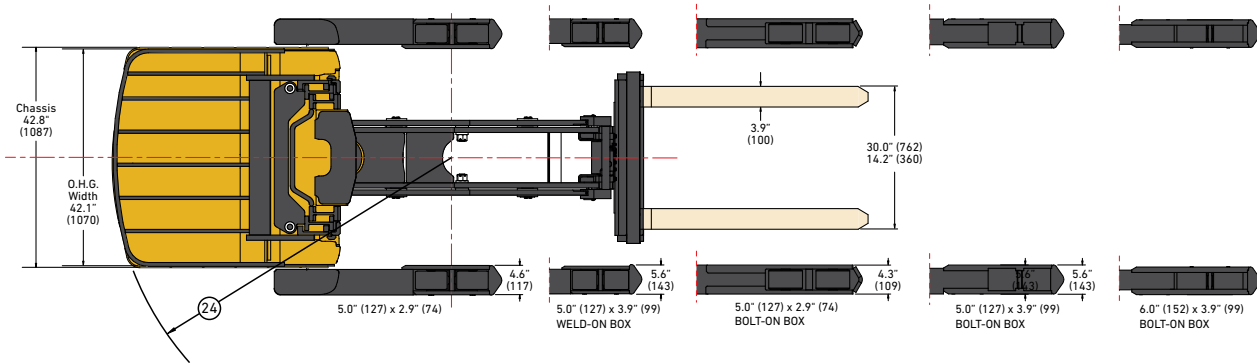
GENERAL		Manufacturer's name		Yale							
1	Manufacturer	Manufacturer's name		Yale							
2	Model designation	Manufacturer's model designation		NR045EB		NDR035EB					
3	Model configuration	Wheel base designation <sup>1</sup>		SWB		LWB SWB					
4	Rated capacity	Load capacity		4500 (2041)		3500 (1588)					
5	Load center	Distance		24 (610)							
6	Power type	Electric, diesel, LPG		Electric - 36 volt							
7	Operator type	Pedestrian, stand, seated rider		Stand							
8	Tire type	Load / caster / drive		Poly / Poly / NDIITHANE®							
9	Wheels (x = driven)	Load / drive		4 / 2 (1x)							
WT.	10	Truck weight	without battery (approximate)	lb.		5400		5650	N/A		
	11	Axle loading - front / rear with assembly retracted <sup>2</sup>	Static with rated load and max. wt. battery	lb.		Front	Rear	Front	Rear		
	12			8400	3800	6700	4250				
DIMENSIONS	13	Mast triplex Hi-Vis™	Standard lift (max fork height)	in. (mm)		See mast table					
	14		Standard mast lowered (OALH)	in. (mm)							
	15		Freelift (max fork height)	in. (mm)							
	16		Standard mast extended w/ LBR	in. (mm)							
	17		Top of OHG	in. (mm)							
	18		Operator clearance	in. (mm)							
	19	Carriage	Tilt angle (forward / back)		degrees		3° Fwd / 4° Back				
	20	Forks	Standard (length x width x thickness)		in.		1.80 x 3.9 x 42		1.60 x 3.9 x 42		
	21	Headlength to face of forks <sup>3</sup>	All - battery compartments		in.		See mast table				
	22	Outrigger ID			in.		34" - 49" (1" increments)				
	23	Battery compartment size	18.5" Battery compartment		in.		39.0 x 18.5 x 31.53				
			21.5" Battery compartment		in.		39.0 x 21.5 x 31.5				
	24	Turning radius -	18.5" Battery compartment		in.		69.90		74.90		69.90
21.5" Battery compartment			in.		72.90		77.90		72.90		
25	Aisle width - zero clearance right angle stack			see chart		See "RAS" table					
26	Stability - comply with ANSI					Yes					
PERFORMANCE	27	Travel speed <sup>4</sup>					Standard		Standard		
			Rearward (chassis first) - empty / rated load		mph		7.4/6.5		7.4/6.8		
			Forward (forks first) - empty / rated load		mph		7.4/5.8		7.4/6.5		
	30	Lift speeds - standard / optional	Empty		ft/min		Standard		Standard		
			2000		ft/min		130		130		
			3000		ft/min		98		93		
			3500		ft/min		90		85		
			4000		ft/min		84		79		
			4500		ft/min		78		N/A		
			4500		ft/min		74		N/A		
37	Lowering speeds - standard / optional	Empty		ft/min		105		105			
		Rated load		ft/min		105		105			
WHEELS & TIRES	39	Size - front load wheels (tandem articulating)	Standard		5 x 3.9		5 x 2.9				
	40	Size - drive tire / dual casters	Standard		Drive		Caster		Drive		Caster
					13.5 x 5.5		7.9 x 2.2		13.5 x 5.5		7.9 x 2.2
	42	Wheel base	18.5" Battery compartment		in.		59.37		64.37		59.37
21.5" Battery compartment			in.		62.36		67.36		62.36		
43	Brakes, service / parking	Method of control				Foot		Foot			
		Method of operation				Spring apply / electric release					
ELECTRIC	45	Battery, type					Lead Acid				
	46	Traction motor rating (60 minute rating)	hp (kw)		8.7 (6.5)		8.7 (6.5)				
			Hoist motor rating (5 minute rating)		hp (kw)		20.7 (15.4)				
	48	Electric motors	Traction motor control method				Transistor				
			Hoist motor control method				Transistor				
Number of speeds					Infinitely variable						

<sup>1</sup> Short or Long Wheelbase is determined by Mast Height, LWB for 332" Max Fork Height and Below

<sup>2</sup> Static with Rated Load and Max. Wt. Battery

<sup>3</sup> Includes integral sideshift, subtract 1" for without sideshift

<sup>4</sup> Travel speed will be reduced to 6.8 / 5.8 mph (empty / rated load) with MFHs above 34" in the Rearward and Forward direction. 7.4 mph travel speed is limited to Load up to 2500 lbs.

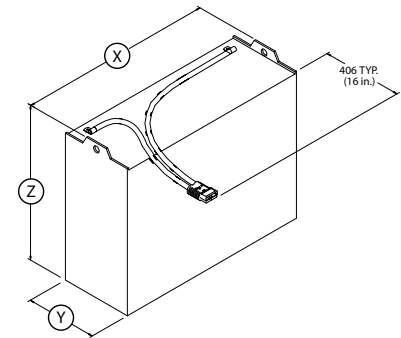


### NR/NDR-EB TRIPLEX HI-VIS MAST (6.9") DIMENSIONS

Maximum fork height (TOF) +	Overall lowered ht.	Overall extended height w/ load backrest	Free-lift (TOF)	Overhead guard height to top	Operator Clearance	Head length (length to face of forks)			
						18.5" B.C.		21.5" B.C.	
						single reach	double reach	single reach	double reach
in. (mm)	in. (mm)	in. (mm)	in. (mm)	in. (mm)	in. (mm)	single reach	double reach	single reach	double reach
272 (6909)	119 (3023)	311 (7899)	80 (2032)	91 (2311)	79.8 (2027)	59.60	65.50	62.59	68.50
287 (7290)	125 (3175)	326 (8280)	86 (2184)	91 (2311)	79.8 (2027)	59.60	65.50	62.59	68.50
302 (7671)	131 (3327)	341 (8661)	92 (2337)	91 (2311)	79.8 (2027)	59.60	65.50	62.59	68.50
320 (8128)	138 (3505)	359 (9119)	99 (2515)	91 (2311)	79.8 (2027)	59.60	65.50	62.59	68.50
332 (8433)	143 (3632)	371 (9423)	104 (2642)	91 (2311)	79.8 (2027)	59.60	65.50	62.59	68.50
341 (8661)	146 (3708)	380 (9652)	107 (2718)	91 (2311)	79.8 (2027)	59.60	65.50	62.59	68.50
368 (9347)	157 (3988)	407 (10338)	118 (2997)	91 (2311)	79.8 (2027)	59.60	65.50	62.59	68.50
401 (10185)	170 (4318)	440 (11176)	131 (3327)	91 (2311)	79.8 (2027)	59.60	65.50	62.59	68.50
422 (10719)	179 (4547)	461 (11709)	140 (3556)	91 (2311)	79.8 (2027)	59.60	65.50	62.59	68.50

### NR/NDR-EB BATTERY SPECIFICATIONS

Battery compartment size	Battery voltage	Max capacity 6 hour rate	Battery dimensions			Battery weight	
			"X"	"Y"	"Z"	Min	Max
			Max	Max	Max		
in. (mm)		Amp hr (kwh)	in. (mm)			lb. (kg)	
18.5 (469.9)	36	1085 (38.1)	38.8 (985)	18.25 (464)	31.0 (788)	2200 (998)	2800 (1270)
21.5 (546.1)	36	1240 (43.5)	38.8 (985)	21.25 (540)	31.0 (788)	2500 (1134)	3100 (1406)



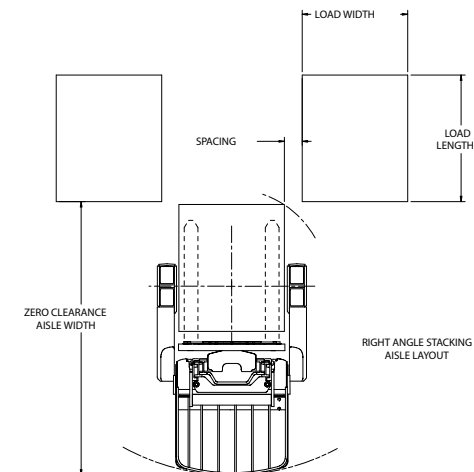
Battery Connector: 36V - Gray; Position "B"  
 Manufacturers Standard Cable Size Not to Exceed 4/0 AWG  
 Battery compartment is designed to accommodate standard wet cell batteries with fixed lifting eyes and no cover.  
 Contact Applications Engineering to verify compatibility/fit when using maintenance free, covered or non-standard batteries.

### NR/NDR-EB RIGHT ANGLE AISLE STACKING ("RAS") TABLE

NR045EB					NDR035EB						
Truck with 18.5" battery compartment and 42" ID					Truck with 18.5" battery compartment and 42" ID						
Triplex - 4" between loads					Triplex - 6" between loads						
Pallet length inches	Pallet width inches				Pallet length inches	Pallet width inches					
		36	40	44		48		36	40	44	48
	36	90	90	89		89	36	94	93	93	93
	40	95	94	94		93	40	98	98	97	96
	44	99	99	98		98	44	103	102	102	101
	48	104	103	103		102	48	107	107	106	106

Add 5" for 21.5" Battery Compartment  
 Add 1" for Sideshift

Add 5" for 21.5" Battery Compartment  
 Sideshift is Standard on Double Reach



Note: These are "Zero Clearance" aisles and require an additional 6" to 12" to be added to provide for easier maneuvering.

## NR/NDR-EB FEATURES LIST

PERFORMANCE	STD	OPT	OPERATION	STD	OPT
36-volt (includes 350 amp gray battery connector)	●		UL Classification 'E'	●	
AC Traction, lift/lower and steering	●		Sidestance operator controls compartment	●	
Transistor controller with regenerative braking	●		Key switch start	●	
Electric power steering	●		Wire mesh mast guard	●	
4 Independent fully programmable performance modes - programmable traction speed and acceleration, lift and lower speeds	●		Automotive steering	●	
Power lowering (unloaded) and regenerative lowering (loaded)	●		Static strap	●	
High speed lift	●		Electronic horn	●	
Load transport position		●	Sealed battery rollers	●	
Laser line fork positioning		●	Operator's overhead guard	●	
Return to set tilt		●	Rear post operator protection	●	
Shelf height selector		●	Power disconnect button	●	
Fork camera		●	Reverse steering		●
Load weight display		●	UL Classification 'EE'		●
Fork height display		●	Keyless start		●
			Outrigger OEC - 34" to 49" in 1" increments		●
<b>DRIVE</b>	<b>STD</b>	<b>OPT</b>	Audible back-up and motion alarms		●
Park brake (spring applied, electrically released)	●		Visible amber strobe light - continuous activated		●
Polyurethane drive tire - 13.5" x 5.5" (standard on NR045EB, NDR035EB)	●		Impact monitor		●
5" x 3.9" Poly articulating tandem load wheels - high load compound (standard on NR045EB)	●		RF terminal bracket		●
5" x 2.9" Poly articulating tandem load wheels - high load compound (standard on NDR035EB)	●		RF handheld scanner holder		●
Dual articulating polyurethane non-steered caster wheels	●		12-volt DC auxiliary power supply		●
Bolt-on wheel box for use with 5" x 3.9", 6" x 3.9", and 5" x 2.9" load wheels		●	Battery gate interlock (SPED)		●
Electric - steered caster		●	Clear mast guard (SPED)		●
Various sizes of load wheels - sealed or greaseable		●	Rear operator compartment door (SPED)		●
Various drive tire compounds and types		●	Wire mesh on top overhead guard (SPED)		●
Tapered load wheel boxes		●	Yale Vision™ (SPED)		●
			Yale Reliant™ (SPED)		●
<b>LIFT</b>	<b>STD</b>	<b>OPT</b>	<b>SUPPLEMENTAL</b>	<b>STD</b>	<b>OPT</b>
119" / 272" - 3 Stage full free Lift 6.9" mast (standard on NR045EB, NDR035EB)	●		12 Months / No Hour Limit Full Truck Warranty, 36 Months / 6,000 Hours Powertrain Warranty, Lifetime Frame Warranty; please see full Warranty Statement for additional details.	●	
Single reach mast with 33.5" wide Class II with integral sideshift (hook type carriage) (standard on NR045EB)	●		Operating manual	●	
Double reach mast with 33.5" wide Class II with integral sideshift (hook type carriage) (standard on NDR035EB)	●		Parts manual		●
Tilting carriage (3° fwd, 4° back)	●		<b>CONSTRUCTION</b>	<b>STD</b>	<b>OPT</b>
36" High load backrest extension	●		Standard construction	●	
Lift limit - with or without override		●	Cooler/freezer construction (0°F to 120°F) with anti-slip floorplate covering		●
48" High load backrest extension		●	SubZero freezer construction (operating temperatures -40°F to 120°F) with anti-slip floorplate covering		●
Single reach without integral sideshift for standard 33.5" wide carriage		●	SubZero freezer with heated floor and control handle (operating temperatures -40°F to 120°F) with anti-slip floorplate covering		●
Various mast heights for 6.9" Mast		●	<b>ENERGY SYSTEM</b>	<b>STD</b>	<b>OPT</b>
			Lead acid battery	●	
<b>HANDLING</b>	<b>STD</b>	<b>OPT</b>	Power Key (SPED)		●
Forks: 1.6" x 3.9" x 42" (40 mm x 100 mm) - class II hook type (standard on NDR035EB)	●		Fuel cell (SPED)		●
Forks: 1.8" x 3.9" x 42" (45 mm x 100 mm) - class II hook type (standard on NR045EB)	●				
Fully proportional multi-function control handle	●				
Control handle with simultaneous hydraulic functions	●				
Various fork lengths		●			
Reduced travel speed with carriage extended		●			
<b>ERGONOMICS</b>	<b>STD</b>	<b>OPT</b>			
Low profile anti-fatigue floormat	●				
Adjustable armrest and backrest (sidestance operator controls only)	●				
Fixed steer tiller position	●				
Low step height	●				
Padded operator compartment	●				
Adjustable steer tiller position		●			
Operator overhead fan		●			
Dual LED headlights		●			
Rear LED worklight		●			
Operator LED desktop light		●			

# About Yale



Yale Lift Truck Technologies leverages over a century of material handling experience and substantial investment in innovation to bring the most advanced technology-driven lift truck solutions to market. The company offers a full line of award-winning lift trucks, including reach trucks, order pickers, turret trucks, pallet jacks and trucks, pallet stackers, tow tractors and counterbalanced forklifts, as well as powerful operator assist solutions, proven robotics and a wide range of power sources to help customers adapt to today's demanding supply chain. Yale and its independent dealer network support these solutions with comprehensive after-sales service, parts, financing and training.

## MATERIALS HANDLING FOR:

Third-party logistics (3PL)

Auto parts distribution

Beverage

Cold & frozen foods

Food distribution

Food processing

Furniture & furnishings

Government

Health & pharma

Home centers & durables


Retail & e-commerce

Yale Lift Truck Technologies  
P.O. Box 7367  
Greenville, NC 27835-7367  
U.S.A.

**yale.com**



EXPLORE MORE  
ONLINE.  
←

© 2024 Hyster-Yale Materials Handling, Inc., all rights reserved. YALE and  are trademarks of Hyster-Yale Materials Handling, Inc.

Trucks may be shown with optional equipment and/or features not available in all regions. Truck performance may be affected by the condition of the vehicle, how it is equipped and the application. Specifications are subject to change without notice. Consult your Yale® Dealer if any of the information shown is critical to your application.

CERTIFICATION: Yale lift trucks meet the design and construction requirements of B56.1-1969, per OSHA Section 1910.178(a)(2), and also comply with the B56.1 revision in effect at time of manufacture. Classified by Underwriters' Laboratories, Inc.