



Yale 
LIFT TRUCK TECHNOLOGIES

ERP
32-40UXT

ERP
32-40UXTL

Three-wheel
pneumatic tire electric
counterbalanced forklift

3,200-4,000 lbs.



Reliable performance in a value-driven package.

For any size operation, keeping material handling costs in check is critical to protecting profits. Whether you're a single truck operation or scaling your existing fleet, the UX Series can be a budget-friendly choice to optimize your operation.

Available with a 3,200-4,000-pound load capacity and a range of standard and optional features, the Yale® ERP32-40UXT/UXTL is a straightforward option for both indoor and outdoor applications across many different industries. Experience reliable performance at an affordable price with this three-wheel pneumatic tire, electric counterbalanced forklift—all backed by the reliable quality and support you expect from the Yale brand and dealer network.

ERP32UXT/UXTL

ERP35UXT/UXTL

ERP40UXT/UXTL



EASY TO OPERATE

Increase productivity and reduce fatigue with an ergonomic operator compartment designed for comfort, simplicity and familiarity.



SERVICE MADE SIMPLE

Minimize service time with easy access to key components such as the compact powertrain and controllers.



LOW COST OF OPERATION

Protect your bottom line with reliable, high-quality components and fast access to affordable replacement parts.

1. POWER SOURCE OPTIONS

UXT ONLY – Available with either traditional lead acid or thin plate pure lead (TPPL) batteries to help configure the truck to the application.

UXTL ONLY – Models with integrated lithium batteries are available in different sizes and charge rates to scale to your operation.

2. CONVENIENT STEP HEIGHT

A low, conveniently placed step helps make getting on or off the truck easy for the operator.

3. PROVEN AC TECHNOLOGY

Utilizes reliable AC controllers coupled with AC traction and hydraulic motors for precise truck controllability. Additionally, the controllers are easily accessible which helps minimize service time.

4. ROBUST HYDRAULIC SYSTEM

High quality cylinders with hard chrome rods and a full-flow, low pressure filter on the return line help reduce wear and minimize service costs.



5. ADJUSTABLE OPERATOR COMPARTMENT

An adjustable seat and steering column combined with a compact steering wheel enable the operator to find a comfortable position while a low steering effort optimizes performance in confined spaces.

6. WIDE VIEW MAST

A wide mast window provides a significant front field of view, helping support operator awareness.

7. COMPACT POWERTRAIN

The compact structure of the twin motor drive system provides adequate access for maintenance. Precision cut gears are incorporated, leading to reduced wear and tear.

8. HIGH STRENGTH OVERHEAD GUARD

The profiled steel used in the overhead guard is made of high-strength materials to enhance durability and help safeguard the operator.

Simple. Affordable. Adaptable.

COMFORT

- Low entrance step and large floor space
- Adjustable, full suspension seat with lumbar support
- Small diameter steering wheel
- Adjustable steering column
- Ergonomically designed hand brake

PERFORMANCE

- Simple display for quick access to vital truck information (truck speed, battery power and error codes)
- Multiple performance modes (selectable on display) to match application
- Hydraulic power steering minimizes steer effort and “kick-back” for precise positioning
- AC traction and lifting motors, with electronic control, deliver reliable performance
- Maintenance free oil-immersed brakes and regenerative braking system for smooth traction
- UXT is compatible with lead acid and thin plate pure lead (TPP) battery power
- UXTL is equipped with lithium-ion battery power designed into the forklift direct from the factory

SAFETY AND STABILITY

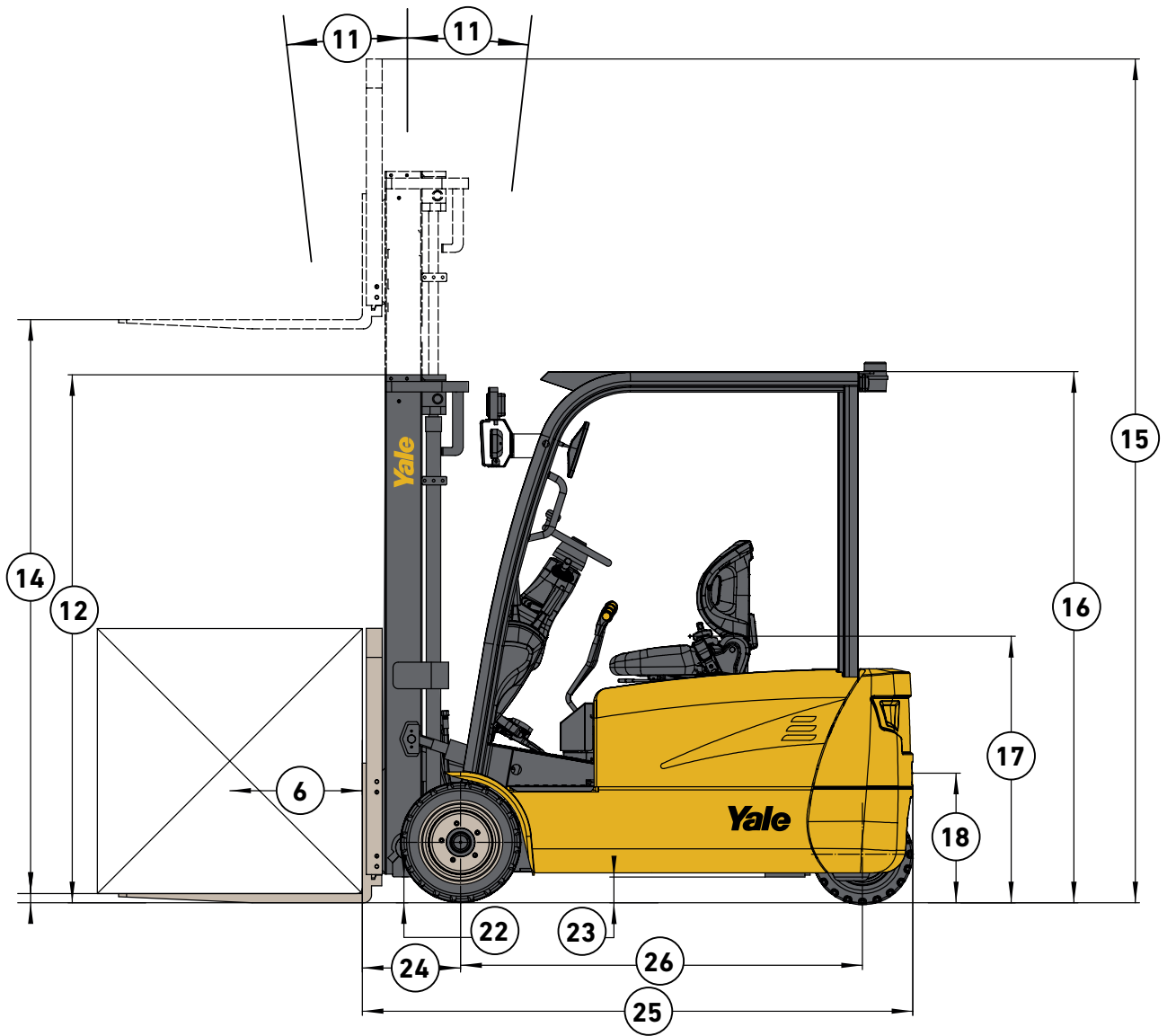
- High visibility mast with soft landing absorbs shock
- Controlled mast lowering speed helps reduce damaging product
- Secure overhead guard
- Standard LED lights
- Operator presence system

SERVICE

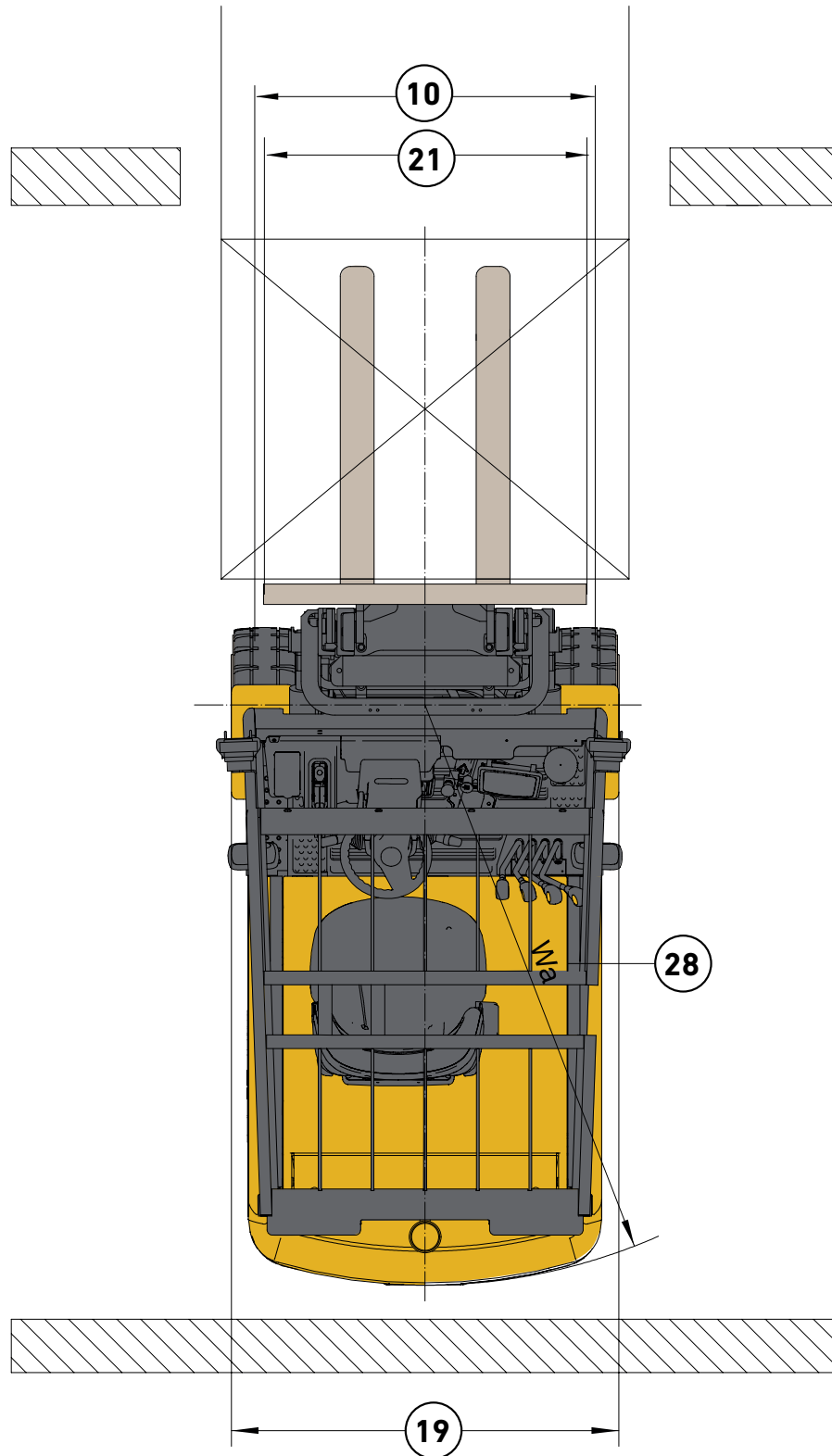
- Brushless AC traction and hydraulic motors help reduce maintenance cost
- Easy access to the drivetrain helps minimize service time
- Removable cover provides convenient access to controller assembly mounted inside the counterweight



TRUCK DIMENSIONS



NOTE: The Industrial Truck Association (ITA) defines the formula for calculating Right Angle Stack on 3-wheel trucks with counter rotating load wheels as:
 $Right\ Angle\ Stack = OTR + \sqrt{(Load\ Distance + Load\ Length)^2 + (\frac{Load\ Width}{2})^2}$ (For a 40" wide by 48" long)



Yale uses the above ITA formula to calculate Right Angle Stack on our 3 and 4 wheel trucks with a zero turn steer axle and counter rotating load wheels.

Some documentation incorrectly calculates Right Angle Stack on a 3-Wheel zero-turn truck with counter rotating load wheels using the following formula:
 Right Angle Stack = OTR + Load Distance + Load Length. This formula generates a value which is invalid and lower than actual Right Angle Stack.
 When making comparisons, be sure the correct ITA formula is used to calculate Right Angle Stack.

NOTE: The Industrial Truck Association (ITA) defines the formula for calculating Right Angle Stack on 3-wheel trucks with counter rotating load wheels as:

$$\text{Right Angle Stack} = \text{OTR} + \sqrt{(\text{Load Distance} + \text{Load Length})^2 + \left(\frac{\text{Load Width}}{2}\right)^2} \quad (\text{For a } 40'' \text{ wide by } 48'' \text{ long})$$

ERP32-35UXT/UXTL GENERAL SPECIFICATIONS

DISTINGUISHING MARK	1	Manufacturer			Yale				
	2	Model designation			ERP32UXT	ERP32UXTL	ERP35UXT	ERP35UXTL	
	3	Power			Battery		Battery		
	4	Operation			Sit		Sit		
	5	Rated capacity		lb (kg)	3200 (1450)		3500 (1588)		
	6	Load center		in (mm)	24 (610)		24 (610)		
TIRES, CHASSIS	7	Tire type (std/opt)			SE		SE		
	8	Tire size (drive/steer)		in	18x7-8 / 15x4.5-8		18x7-8 / 15x4.5-8		
	9	Wheels - number x=driven (drive/steer)			2x/2		2x/2		
	10	Tread	center of tires	std dr/steer	in (mm)	36.7 (933) / 7.3 (186)		36.7 (933) / 7.3 (186)	
DIMENSIONS	11	Mast tilt			6F / 6B		6F / 6B		
	12	Mast - lowered height	std mast	in (mm)	78.4 (1995)		78.4 (1995)		
	13	Free lift - top of forks		std 2stg limited free lift mast	in (mm)	1.3 (35)		1.3 (35)	
	14	Lift height - top of fork		std mast	in (mm)	120.9 (3070)		120.9 (3070)	
	15	Mast - extended height		std mast without LBR	in (mm)	158.7 (4030)		158.7 (4030)	
	16	Overhead guard height			in (mm)	78.9 (2005)		78.9 (2005)	
	17	Seat height		full susp seat	in (mm)	38.0 (965)		38.0 (965)	
	18	Tow pin height			in (mm)	17.5 (445)		17.5 (445)	
	19	Overall width		std tires	in (mm)	42.7 (1085)		42.7 (1085)	
	20	Forks			in (mm)	1.4 x 3.9 x 36 (35 x 100 x 920)		1.4 x 3.9 x 36 (35 x 100 x 920)	
	21	Standard carriage width		without LBR	in (mm)	37.4 (950)		37.4 (950)	
	22	Ground clearance		lowest point - RL	in (mm)	3.5 (90)		3.5 (90)	
	23	Ground clearance		center of frame - RL	in (mm)	3.7 (96)		3.7 (96)	
	24	Load distance			in (mm)	14.6 (370)		14.6 (370)	
	25	Length to face of forks			in (mm)	77.7 (1975)		77.7 (1975)	
	26	Wheelbase			in (mm)	55.1 (1400)		55.1 (1400)	
	27	Right angle stack			in (mm)	128.8 (3270)		128.8 (3270)	
	28	Outside turning radius			in (mm)	63.0 (1600)		63.0 (1600)	
	29	Truck weight			lb (kg)	6880 (3120)		7035 (3190)	
	30	Axle loading - drive			lb (kg)	8840/1455 (4010/660)		9745/1125 (4420/510)	
	31	Axle Loading - steer			lb (kg)	3265/3615 (1480/1640)		3310/3725 (1500/1690)	
PERFORMANCE DATA	32	Travel speed		RL/NL	mph (kph)	8.7/9.9 (14/16)		8.7/9.9 (14/16)	
	33	Lift speed		RL/NL	fpm (mms)	69.3/98.4 (352/500)		68.9/98.4 (350/500)	
	34	Lower speed		RL/NL		82.7/67.7 (420/344)		82.7/75.2 (420/382)	
	35	Gradability		RL/NL	%	20/30		20/30	
	36	Drawbarpull		RL/NL	lbf	3485/2250		3485/2360	
	37	Brake		method of control (service/parking)		Hydraulic/mechanical		Hydraulic/mechanical	
	38			method of operation (service/parking)		Foot/hand		Foot/hand	
	ELECTRIC-MOTOR	39	Battery		type	Lead acid or thin plate pure lead	Lithium	Lead acid or thin plate pure lead	Lithium
40		Voltage			48	-	48	-	
41		Battery capacity		kWh	-	25.6 (51.2V @ 500Ah)	-	25.6 (51.2V @ 500Ah)	
		Charger		kW	-	7.2	-	7.2	
42		Traction motors (dual)		S2 60 minute rating (each)	hP (kW)	6.7 (5.0)		6.7 (5.0)	
43		Pump motor		S3 15 minute rating	hP (kW)	14.7 (11.0)		14.7 (11.0)	
44		Attachment relief pressure			psi (bar)	2100 (145)		2535 (175)	
45		Auxiliary oil flow			gal/min (l/min)	10 (38)		10 (38)	
46		Sound level			dB(A)	64.8		64.8	

ERP40UXT/UXTL GENERAL SPECIFICATIONS

DISTINGUISHING MARK	1	Manufacturer			Yale	
	2	Model designation			ERP40UXT	ERP40UXTL
	3	Power			Battery	
	4	Operation			Sit	
	5	Rated capacity	lb (kg)		4000 (1814)	
	6	Load center	in (mm)		24 (610)	
TIRES, CHASSIS	7	Tire type (std/opt)			SE	
	8	Tire size (drive/steer)			200/50-10 / 15x4.5-8	
	9	Wheels - number x=driven (drive/steer)			2x/2	
	10	Tread	center of tires	std dr/steer	in (mm) 37.5 (952) / 7.3 (186)	
DIMENSIONS	11	Mast tilt			6F / 6B	
	12	Mast - lowered height	std mast	in (mm)	78.3 (1990)	
	13	Free lift - top of forks	std 2stg limited free lift mast		in (mm) 1.3 (35)	
	14	Lift height - top of fork	std mast		in (mm) 121.4 (3085)	
	15	Mast - extended height	std mast without LBR		in (mm) 157.5 (4000)	
	16	Overhead guard height			in (mm) 78.9 (2005)	
	17	Seat height	full susp seat		in (mm) 38.0 (965)	
	18	Tow pin height			in (mm) 19.1 (485)	
	19	Overall width	std tires		in (mm) 44.9 (1140)	
	20	Forks			in (mm) 1.6 x 4.8 x 42 (40 x 120 x 1067)	
	21	Standard carriage width	without LBR		in (mm) 37.4 (950)	
	22	Ground clearance	lowest point - RL		in (mm) 3.5 (90)	
	23	Ground clearance	center of frame - RL		in (mm) 3.7 (96)	
	24	Load distance			in (mm) 14.6 (370)	
	25	Length to face of forks			in (mm) 82.1 (2085)	
	26	Wheelbase			in (mm) 59.6 (1515)	
	27	Right angle stack			in (mm) 133.3 (3385)	
	28	Outside turning radius			in (mm) 67.5 (1715)	
	29	Truck weight			lb (kg) 7455 (3380)	
	30	Axle loading - drive			lb (kg) 10740/1280 (4870/580)	
	31	Axle Loading - steer			lb (kg) 3485/3990 (1580/1810)	
PERFORMANCE DATA	32	Travel speed	RL/NL	mph (kph)	8.7/9.9 (14/16)	
	33	Lift speed	RL/NL	fpm (mms)	61.0/98.4 (310/500)	
	34	Lower speed	RL/NL		84.6/76.7 (430/390)	
	35	Gradability	RL/NL	%	20/30	
	36	Drawbarpull	RL/NL		lbf 3485/2695	
	37	Brake	method of control (service/parking)			Hydraulic/mechanical
38	method of operation (service/parking)			Foot/hand		
ELECTRIC-MOTOR	39	Battery	type		Lead acid or thin plate pure lead	Lithium
	40	Voltage			48	-
	41	Battery capacity	kWh		-	25.6 (51.2V @ 500Ah)
		Charger	kW		-	7.2
	42	Traction motors (dual)	S2 60 minute rating (each)		hP (kW) 6.7 (5.0)	
	43	Pump motor	S3 15 minute rating		hP (kW) 14.7 (11.0)	
	44	Attachment relief pressure			psi (bar) 2535 (175)	
	45	Auxiliary oil flow			gal/min (l/min) 10 (38)	
46	Sound level			dB(A) 69.6		

ERP32-35UXT/UXTL MAST TABLE

Mast type	Max fork height in (mm)	Overall extended height			Free lift		Mast tilt		
		Lowered height	Lift height		Without LBR	With LBR	Forward	Back	
			Without LBR	With LBR					
2LFL	118.1 (3000)	77.8 (1975)	137.5 (3490)	157.9 (4010)	1.4 (35)	1.4 (35)	6	6	
	129.9 (3300)	83.7 (2125)	149.3 (3790)	169.7 (4310)	1.4 (35)	1.4 (35)	6	6	
	137.7 (3500)	87.6 (2225)	157.1 (3990)	177.6 (4510)	1.4 (35)	1.4 (35)	6	6	
	145.6 (3700)	91.6 (2325)	165 (4190)	185.5 (4710)	1.4 (35)	1.4 (35)	6	6	
	157.4 (4000)	99.5 (2525)	176.8 (4490)	197.3 (5010)	1.4 (35)	1.4 (35)	3	5	
	177.1 (4500)	109.3 (2775)	196.5 (4990)	217 (5510)	1.4 (35)	1.4 (35)	3	5	
	196.8 (5000)	119.1 (3025)	216.2 (5490)	236.7 (6010)	1.4 (35)	1.4 (35)	3	5	
	216.5 (5500)	131 (3325)	235.9 (5990)	256.3 (6510)	1.4 (35)	1.4 (35)	3	5	
2FFL	236.2 (6000)	140.8 (3575)	255.6 (6490)	276 (7010)	1.4 (35)	1.4 (35)	3	5	
	118.1 (3000)	77.8 (1975)	137.5 (3490)	157.9 (4010)	59.5 (1510)	39 (990)	6	6	
	129.9 (3300)	83.7 (2125)	149.3 (3790)	169.7 (4310)	65.4 (1660)	44.9 (1140)	6	6	
	137.7 (3500)	87.6 (2225)	157.1 (3990)	177.6 (4510)	69.3 (1760)	48.9 (1240)	6	6	
	145.6 (3700)	91.6 (2325)	165 (4190)	185.5 (4710)	73.3 (1860)	52.8 (1340)	6	6	
	157.4 (4000)	99.5 (2525)	176.8 (4490)	197.3 (5010)	81.2 (2060)	60.7 (1540)	3	5	
	3FFL	157.4 (4000)	72.9 (1850)	176.8 (4490)	197.3 (5010)	54.6 (1385)	34.1 (865)	3	5
		171.2 (4350)	77.8 (1975)	190.6 (4840)	211.1 (5360)	59.5 (1510)	39 (990)	3	5
177.1 (4500)		79.8 (2025)	196.5 (4990)	217 (5510)	61.5 (1560)	41 (1040)	3	5	
188.9 (4800)		83.7 (2125)	208.3 (5290)	228.8 (5810)	65.4 (1660)	44.9 (1140)	3	5	
196.8 (5000)		87.6 (2225)	216.2 (5490)	236.7 (6010)	69.3 (1760)	48.9 (1240)	3	5	
216.5 (5500)		94.1 (2390)	235.9 (5990)	256.3 (6510)	75.8 (1925)	55.4 (1405)	3	5	
236.2 (6000)		101.4 (2575)	255.6 (6490)	276 (7010)	83.1 (2110)	62.6 (1590)	3	5	
255.9 (6500)		109.9 (2790)	275.2 (6990)	295.7 (7510)	91.6 (2325)	71.1 (1805)	3	5	

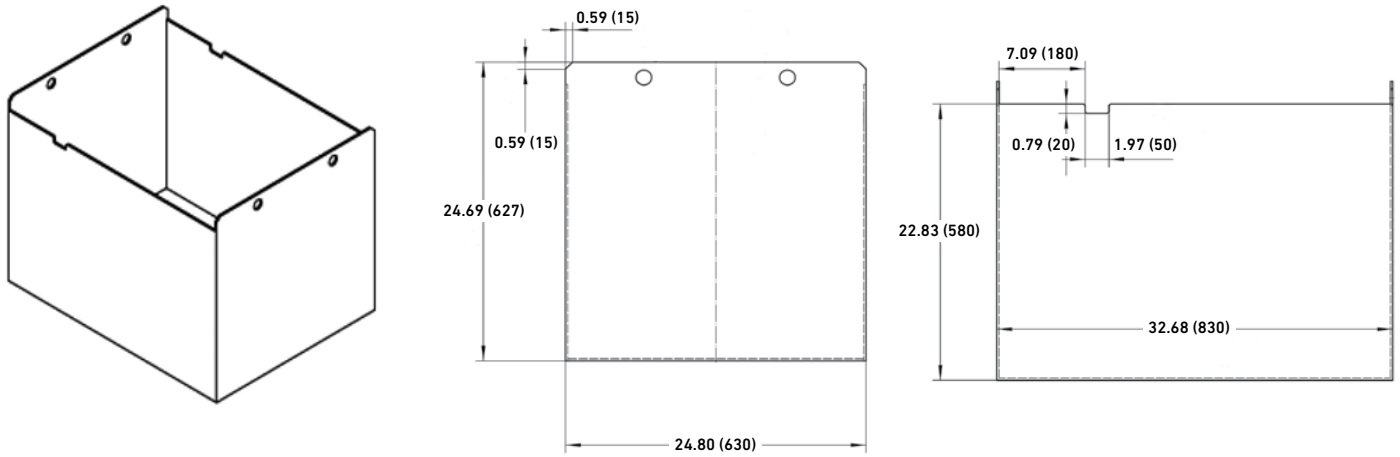
ERP40UXT/UXTL MAST TABLE

Mast type	Max fork height in (mm)	Overall extended height			Free lift		Mast tilt		
		Lowered height	Lift height		Without LBR	With LBR	Forward	Back	
			Without LBR	With LBR					
2LFL	118.1 (3000)	77.8 (1975)	137.5 (3490)	157.9 (4010)	2.2 (54)	2.2 (54)	6	6	
	129.9 (3300)	83.7 (2125)	149.3 (3790)	169.7 (4310)	2.2 (54)	2.2 (54)	6	6	
	137.7 (3500)	87.6 (2225)	157.1 (3990)	177.6 (4510)	2.2 (54)	2.2 (54)	6	6	
	145.6 (3700)	91.6 (2325)	165 (4190)	185.5 (4710)	2.2 (54)	2.2 (54)	6	6	
	157.4 (4000)	99.5 (2525)	176.8 (4490)	197.3 (5010)	2.2 (54)	2.2 (54)	3	5	
	177.1 (4500)	109.3 (2775)	196.5 (4990)	217 (5510)	2.2 (54)	2.2 (54)	3	5	
	196.8 (5000)	119.1 (3025)	216.2 (5490)	236.7 (6010)	2.2 (54)	2.2 (54)	3	5	
	216.5 (5500)	131 (3325)	235.9 (5990)	256.3 (6510)	2.2 (54)	2.2 (54)	3	5	
2FFL	236.2 (6000)	140.8 (3575)	255.6 (6490)	276 (7010)	2.2 (54)	2.2 (54)	3	5	
	118.1 (3000)	77.8 (1975)	137.5 (3490)	157.9 (4010)	59.5 (1510)	39 (990)	6	6	
	129.9 (3300)	83.7 (2125)	149.3 (3790)	169.7 (4310)	65.4 (1660)	44.9 (1140)	6	6	
	137.7 (3500)	87.6 (2225)	157.1 (3990)	177.6 (4510)	69.3 (1760)	48.9 (1240)	6	6	
	145.6 (3700)	91.6 (2325)	165 (4190)	185.5 (4710)	73.3 (1860)	52.8 (1340)	6	6	
	157.4 (4000)	99.5 (2525)	176.8 (4490)	197.3 (5010)	81.2 (2060)	60.7 (1540)	3	5	
	3FFL	157.4 (4000)	72.9 (1850)	176.8 (4490)	197.3 (5010)	54.6 (1385)	34.1 (865)	3	5
		171.2 (4350)	77.8 (1975)	190.6 (4840)	211.1 (5360)	59.5 (1510)	39 (990)	3	5
177.1 (4500)		79.8 (2025)	196.5 (4990)	217 (5510)	61.5 (1560)	41 (1040)	3	5	
188.9 (4800)		83.7 (2125)	208.3 (5290)	228.8 (5810)	65.4 (1660)	44.9 (1140)	3	5	
196.8 (5000)		87.6 (2225)	216.2 (5490)	236.7 (6010)	69.3 (1760)	48.9 (1240)	3	5	
216.5 (5500)		94.1 (2390)	235.9 (5990)	256.3 (6510)	75.8 (1925)	55.4 (1405)	3	5	
236.2 (6000)		101.4 (2575)	255.6 (6490)	276 (7010)	83.1 (2110)	62.6 (1590)	3	5	
255.9 (6500)		109.9 (2790)	275.2 (6990)	295.7 (7510)	91.6 (2325)	71.1 (1805)	3	5	

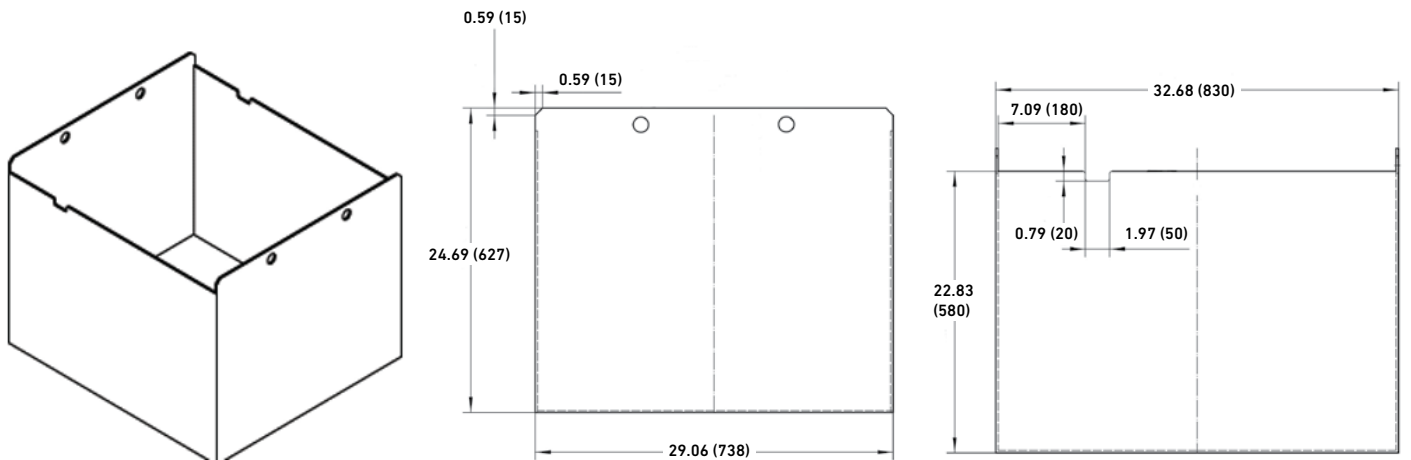
ERP32-40UXT BATTERY COMPARTMENT SPECIFICATIONS

Model		Compartment size			Battery specifications					
					Electrical	Battery size			Weight	
		W in (mm)	L in (mm)	H in (mm)	Voltage	W in (mm)	L in (mm)	H in (mm)	Min lbs (kg)	Max lbs (kg)
ERP32-35UXT	Vertical Extract	33.1 (843)	24.9 (634)	25.3 (645)	48	32.6 (830)	24.8 (630)	24.6 (627)	1980 (898)	2185 (992)
ERP40UXT	Vertical Extract	33.1 (843)	29.6 (752)	25.3 (645)	48	32.6 (830)	29.0 (738)	24.6 (627)	1980 (1034)	2515 (1142)

ERP32-35UXT



ERP40UXT



Battery type: "EO" (without cover)

Battery compartment length is measured front to rear.

Battery compartment width is measured across the truck.

Battery lead: length 9.84" (250mm), position "B", 2/0 AWG

FEATURES LIST

PERFORMANCE	STD	OPT	OPERATION CONTINUED	STD	OPT
48-volt electrical system	●		Front working lights, turn light & tail lights (all lights are LED)		●
AC traction and pump motors (completely brushless)	●		Rear working light (LED)		●
Transistor drive and pump control	●		Strobe LED Light (low mounted)		●
Progressive thermal management system	●		Blue spot lights		●
Dual drive motors	●		Parking alarm	●	
BATTERIES AND CHARGERS	STD	OPT	Audible alarm		●
Configured for lead acid or thin plate pure lead (ERP32-40UXT)	●		Rear handle and horn button		●
25.6kWh lithium battery (ERP32-40UXTL)	●		Speed limit (factory setting according to customer's requirement)		●
12.8kWh, 19.2kWh lithium battery (ERP32-40UXTL)		●	Speed limit when mast is raised (mast lift, truck speed limited to 3 km/h)		●
7.2kW charger (ERP32-40UXTL)	●		DC to DC converter (output 5V 50W)		●
4.8kW charger (ERP32-40UXTL)		●	USB Port		●
208, 240, 480, and 600 3phase charger input voltages available		●	12V power port (output 12V 50W)		●
DRIVE	STD	OPT	Operator presence system (OPS)	●	
Solid pneumatic tires	●		Yale Vision		●
Non-marking solid pneumatic drive and steer tires		●	HANDLING	STD	OPT
LIFT	STD	OPT	39" (970 mm) wide class II	●	
2-stage limited free lift (LFL) mast with maximum fork height of 130" (3300mm)	●		36.6" (930 mm) tall, or 42.5" (1080mm) tall load back rest	●	
Available with 2-stage limited free lift (LFL) and 2- or 3-stage full free lift (FFL) mast		●	Integral side shift		●
Mast tilt 6° forward / 6° backward	●		Integral side shift forkpositioner		●
Mast tilt 3° forward / 6° backward		●	SUPPLEMENTAL	STD	OPT
Load weight indicator		●	12 month / 2,000 hour full truck warranty	●	
ERGONOMICS	STD	OPT	36 month / 6,000 hour powertrain warranty	●	
Non-suspension seat (vinyl) with seat belt and hip restraints	●		60 month / 10,000 hour lithium battery warranty (ERP32-40UXTL)	●	
Full suspension seat (vinyl) with seat belt and hip restraint		●	Operating manual	●	
Seat belt interlock		●			
Sequential seat belt interlock		●			
Side mirrors		●			
OPERATION	STD	OPT			
Standard construction - operating temperatures -5°C to +48°C	●				
Cold storage (to -18°C)		●			
Vertical battery extraction (lift out)	●				
Cowl mounted mechanical levers	●				
3 function hydraulic control valve	●				
4 function hydraulic control valve		●			

About Yale


Yale Lift Truck Technologies leverages over a century of material handling experience and substantial investment in innovation to bring the most advanced technology-driven lift truck solutions to market. The company offers a full line of award-winning lift trucks, including reach trucks, order pickers, turret trucks, pallet jacks and trucks, pallet stackers, tow tractors and counterbalanced forklifts, as well as powerful operator assist solutions, proven robotics and a wide range of power sources to help customers adapt to today's demanding supply chain. Yale and its independent dealer network support these solutions with comprehensive after-sales service, parts, financing and training.

Yale Lift Truck Technologies
P.O. Box 7367
Greenville, NC 27835-7367
U.S.A.

yale.com



EXPLORE MORE
ONLINE.
←

© 2024 Hyster-Yale Materials Handling, Inc., all rights reserved. YALE and  are trademarks of Hyster-Yale Materials Handling, Inc.

Trucks may be shown with optional equipment and/or features not available in all regions. Truck performance may be affected by the condition of the vehicle, how it is equipped and the application. Specifications are subject to change without notice. Consult your Yale® Dealer if any of the information shown is critical to your application.

CERTIFICATION: Yale lift trucks meet the design and construction requirements of B56.1-1969, per OSHA Section 1910.178(a)(2), and also comply with the B56.1 revision in effect at time of manufacture.



MATERIALS HANDLING FOR:

Third-party logistics (3PL)

Auto parts distribution

Beverage

Cold & frozen foods

Food distribution

Food processing

Furniture & furnishings

Government

Health & pharma

Home centers & durables

Retail & e-commerce