

Yale 
LIFT TRUCK TECHNOLOGIES

GP 080-100UX

Pneumatic tire forklift

8,000-10,000 lbs.



Simply meets your needs.

The Yale UX Series was designed for less demanding applications, offering a dependable and cost-effective solution to get the job done— all backed by the trusted Yale name. This low maintenance truck enhances productivity while minimizing operational costs.

GP080UX

GP090UX

GP100UX

The GP080-100UX design prioritizes operator comfort. Its ergonomically designed compartment creates a natural and comfortable environment to help reduce fatigue throughout the shift. A range of standard features and customizable options allow the truck to be tailored to specific application needs.



SERVICEABILITY

Easily serviced due to the low complexity of the drive and lift systems.



ERGONOMICS

Equipped with various standard features to help operators work comfortably.



COST OF OPERATION

Low initial investment makes it suitable for low intensity applications.



DEPENDABILITY

Robust components contribute to reliable operations and lower wear and tear.

1. TRANSMISSION & DRIVE AXLE

The heavy-duty Powershift transmission has two forward gears and one reverse gear along with a durable and long life drive axle.

2. ROBUST OVERHEAD GUARD

The overhead guard features profiled steel, enhancing reliability and operator protection.

3. LOW STEP HEIGHT

Wide convenient step provides operators with easy access on and off the truck from either side.



4. SPACIOUS FOOTWELL

Spacious design provides extra foot space for ease of operation and increased operator comfort.

5. 3.5" LCD DISPLAY

Easy to read display provides convenient viewing of critical data when driving and operating.

6. HAND PARKING BRAKE

Hand parking brake lever with button

Simplicity in maintenance. Flexibility in customization.

Efficiency and ease of maintenance are critical in your operation. The UX Series can be easily serviced and maintained in the field with limited tools due to the low complexity of the drive and lift systems. Various configurations and a range of optional features are available to meet your specific operational requirements without compromising on performance.



EASY TO SERVICE

A large hood opening allows technicians to easily access key components for service and repairs helping to minimize downtime.



STRAIGHT FORWARD REPAIRS

No computer-based diagnostics required keeps service tasks and troubleshooting simple and straight forward.



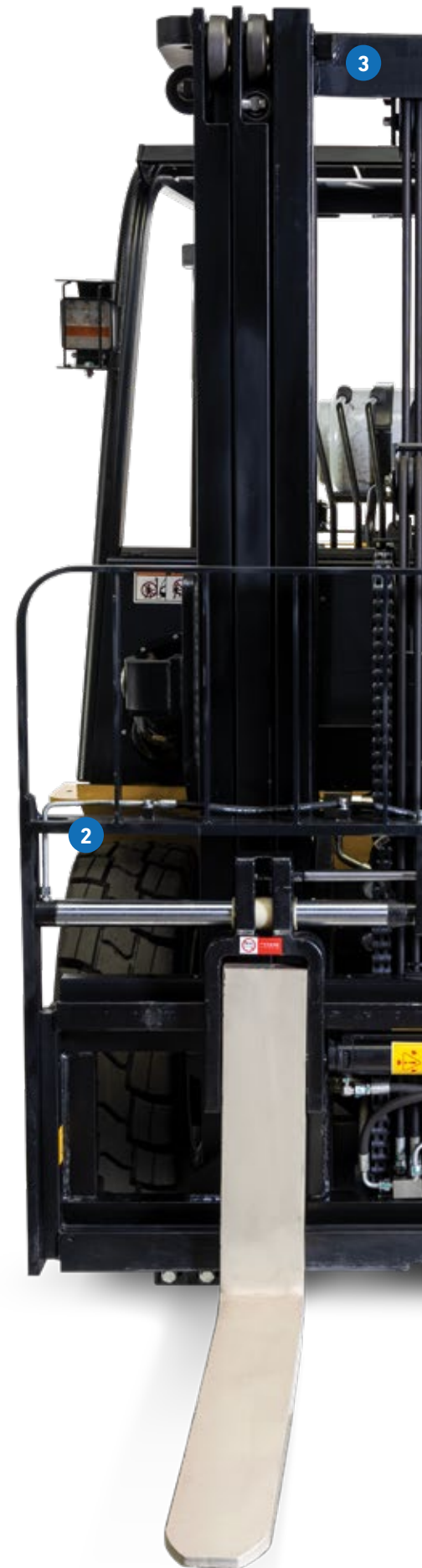
EXCHANGEABLE COMPONENTS

Engine cover, instrument panel, display and most other components are exchangeable with other capacities in the same model range.



DURABLE ENGINE

The standard Kubota 3.8L EPA certified DOC diesel engine provides reliability and easy sourcing of replacement parts and is also available in LPG and dual fuel.





LIGHT PACKAGES +

Optional light packages meet your unique application-specific requirements such as working in low-light environments, high traffic areas or traveling in reverse.



MULTIPLE CARRIAGE OPTIONS +

Multiple carriage options, including side shifting and side shifting fork positioners for more precise load placement.



WIDE VIEW MASTS +

A range of rigid 2-stage and 3-stage masts are available covering lift heights from 118"-256".



CAB CONFIGURATIONS +

From a top cover to a fully enclosed cab, configurations are available for operation in various environments and weather conditions.

+ = *Optional equipment*

Operator comfort meets efficiency.

The UX Series is engineered with the operator in mind, providing functionality and comfort to help operators work more efficiently. It's equipped with various standard features such as an operator presence system and a non-suspension cushioned seat with lumbar support. The ergonomically designed operator's compartment has a familiar automotive layout that simplifies operation.



FULL SUSPENSION SEAT +

When the application calls for it, the optional full suspension seat offers additional comfort when driving over rough terrain and uneven surfaces.



FOOTWELL DESIGN

Familiar automotive-style pedal lay out contributes to ease of operation and load handling, helping to reduce operator fatigue.



COST-EFFECTIVE REPLACEMENT PARTS +

The grab handle with a horn button provides an ergonomic option during reverse travel, encouraging operators to look in the direction of travel while maintaining ability to sound the horn.

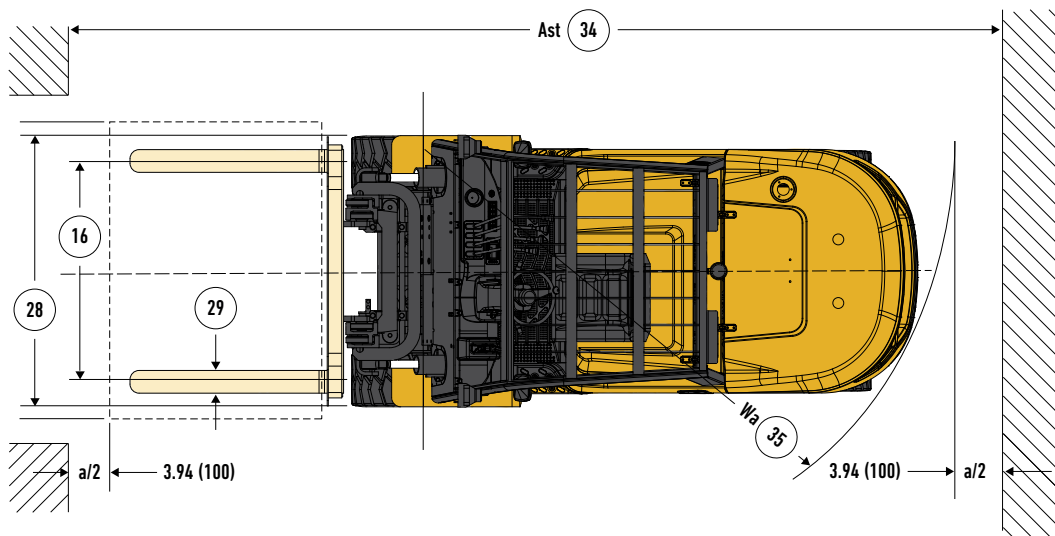
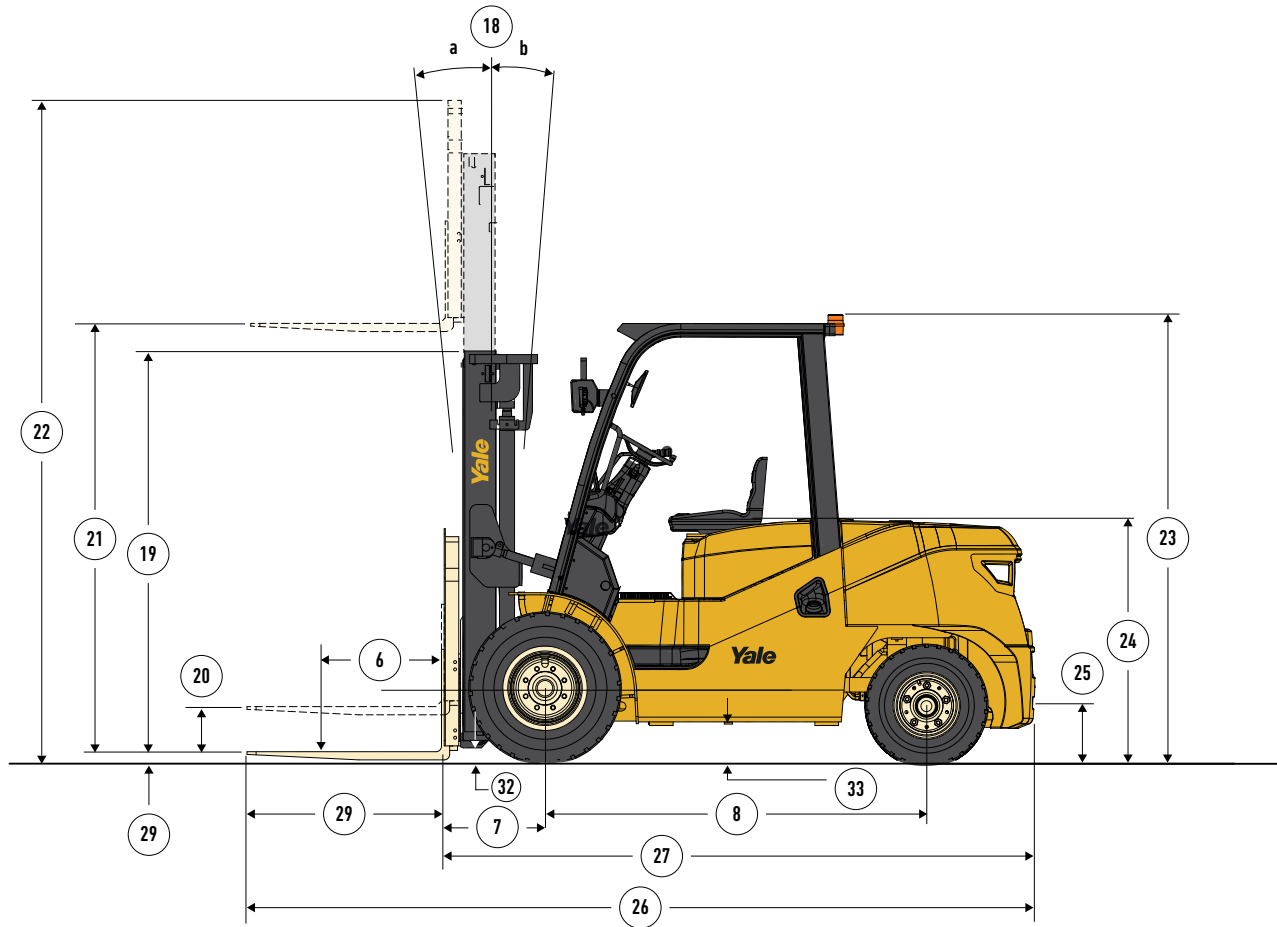


THROUGH MAST VISIBILITY

Mast channels are widely spaced with lift cylinders and chains strategically positioned behind them for enhanced visibility, minimizing blind spots and increasing operator awareness.

+ = *Optional equipment*

TRUCK DIMENSIONS



Circled dimensions correspond to the line numbers on the tabulated chart inside the spec sheet. Dimensions are in inches (millimeters).

GP080UX GENERAL SPECIFICATIONS

GENERAL	1	Manufacturer		Yale			
	2	Model designation		GP080UX			
		Engine		Kubota 3.8L	Kubota 3.8L	Kubota 3.8L	
	3	Drive		Diesel	Dual fuel	LPG	
	4	Operator type		Seat			
	5	Rated capacity/rated load	lbs. (kg)	8000 (3628)			
	6	Load center distance	in. (mm)	24 (600)			
	7	Load distance, center of drive axle to fork	in. (mm)	22.6 (575)			
WEIGHT	8	Wheelbase (with mast vertical)	in. (mm)	82.7 (2100)			
	9	Service weight	lbs. (kg)	14186.8 (6435)			
	10	Axle loading, RL front/rear	lbs. (kg)	20271.5/2733.7 (9195/1240)			
TIRES/CHASSIS	11	Axle loading, NL front/rear	lbs. (kg)	6779.2/7407.5 (3075/3360)			
	12	Tire type		Pneumatic			
	13	Tire size, front		300-15-18PR			
	14	Tire size, rear		7.00-12-12PR			
	15	Wheels, number front/rear		2X2			
DIMENSIONS	16	Tread, front	in. (mm)	46.9 (1190)			
	17	Tread, rear	in. (mm)	44.5 (1130)			
	18	Tilt of mast/fork carriage, forward /backward	degrees	6/12			
	19	Height, mast lowered	in. (mm)	88.6 (2250)			
	20	Free lift	in. (mm)	5.9 (150)			
	21	Lift	in. (mm)	118.1 (3000)			
	22	Height, mast extended	in. (mm)	167.7 (4260)			
	23	Height of overhead guard/cabin	in. (mm)	88.6/94.5 (2250/2400)			
	24	Seat height/stand height	in. (mm)	53.1 (1350)			
	25	Towing coupling height	in. (mm)	13.4 (340)			
	26	Overall length	in. (mm)	168.5 (4280)			
	27	Length to face of forks	in. (mm)	126.4 (3210)			
	28	Overall width, std/dual	in. (mm)	58.7/75.7 (1490/1924)			
	29	Fork dimensions ISO2331	in. (mm)	2x5.9x42.1 (50x150x1070)			
	30	Fork carriage ISO 2328. Class/type, A/B		ISO 3A			
	31	Fork carriage width	in. (mm)	54.3 (1380)			
	PERFORMANCE DATA	32	Ground clearance, laden, below mast	in. (mm)	5.1 (130)		
		33	Ground clearance, centre of wheelbase	in. (mm)	7.3 (186)		
34		Aisle width with pallets 40" x 48"	in. (mm)	190 (4825)			
35		Turning radius	in. (mm)	112.2 (2850)			
36		Internal turning radius	in. (mm)	33.3 (845)			
37		Travel speed, RL/NL	1-Speed	mph (km/h)	9.3/9.9 (15/16)	11.2/11.8 (18/19)	
			2-Speed	mph (km/h)	13.7/14.9 (22/24)	15.5/17.3 (25/28)	16.1/17.4 (26/28)
38		Travel speed, RL/NL, reverse	1-Speed	mph (km/h)	10.6/11.8 (17/19)	13/13.7 (21/22)	
39		Lifting speed, RL/NL		fpm (mm/s)	104.3/110.2 (530/560)		
40		Lowering speed RL/NL		fpm (mm/s)	98.4/88.6 (500/450)		
41	Max. drawbar RL/NL		lbf (N)	7193.9/6069.8 (32000/27000)	7081.5/6744.3 (31500/30000)	7418.7/7193.9 (33000/32000)	
42	Gradeability, RL/NL @ 3mph (4.8 km/h)		%	23/25	24/25	25/25	
43	Service brake			Hydraulic			
COMBUSTION-ENGINE	44	Engine manufacturer/type		Kubota 3.8L	Kubota 3.8L	Kubota 3.8L	
	45	Engine power according to DIN ISO 1585	hp (Kw)	73.2 (54.6)	67.8 (50.6)	79.4 (59.2)	
	46	Rated speed	min-1	2200	2400		
	47	Number of cylinders/displacement	-/cm3	4/3769			
ADDITIONAL DATA	48	Operating pressure for attachments	PSI (bar)	2828.2 (195)			
	49	Oil volume for attachments	gal/min (l/min)	18.5 (70)			
	50	Fuel tank capacity (gas & diesel only)	gal (L)	26.4 (100)		N/A	
	51	Sound pressure level at the driver's seat	dB (A)	81.5	88		
	52	Towing coupling, type DIN		PIN			

GP090UX GENERAL SPECIFICATIONS

GENERAL	1	Manufacturer		Yale			
	2	Model designation		GP090UX			
		Engine		Kubota 3.8L	Kubota 3.8L	Kubota 3.8L	
	3	Drive		Diesel	Dual fuel	LPG	
	4	Operator type		Seat			
	5	Rated capacity/rated load	lbs. (kg)	9000 (4082)			
	6	Load center distance	in. (mm)	24 (600)			
	7	Load distance, center of drive axle to fork	in. (mm)	22.6 (575)			
WEIGHT	8	Wheelbase (with mast vertical)	in. (mm)	82.7 (2100)			
	9	Service weight	lbs. (kg)	14704.8 (6670)			
	10	Axle loading, RL front/rear	lbs. (kg)	21863.2/2762.4 (9917/1253)			
TIRES/CHASSIS	11	Axle loading, NL front/rear	lbs. (kg)	6415.5/8289.4 (2910/3760)			
	12	Tire type		Pneumatic			
	13	Tire size, front		300-15-18PR			
	14	Tire size, rear		7.00-12-12PR			
	15	Wheels, number front/rear		2X2			
	16	Tread, front	in. (mm)	46.9 (1190)			
	17	Tread, rear	in. (mm)	44.5 (1130)			
DIMENSIONS	18	Tilt of mast/fork carriage, forward /backward		degrees 6/12			
	19	Height, mast lowered		in. (mm) 88.6 (2250)			
	20	Free lift		in. (mm) 5.9 (150)			
	21	Lift		in. (mm) 118.1 (3000)			
	22	Height, mast extended		in. (mm) 167.7 (4260)			
	23	Height of overhead guard/cabin		in. (mm) 88.6/94.5 (2250/2400)			
	24	Seat height/stand height		in. (mm) 53.1 (1350)			
	25	Towing coupling height		in. (mm) 13.4 (340)			
	26	Overall length		in. (mm) 168.5 (4280)			
	27	Length to face of forks		in. (mm) 126.4 (3210)			
	28	Overall width, std/dual		in. (mm) 58.7/75.7 (1490/1924)			
	29	Fork dimensions ISO2331		in. (mm) 2x5.9x42.1 (50x150x1070)			
	30	Fork carriage ISO 2328. Class/type, A/B		ISO 3A			
	31	Fork carriage width		in. (mm) 54.3 (1380)			
	32	Ground clearance, laden, below mast		in. (mm) 5.1 (130)			
	33	Ground clearance, centre of wheelbase		in. (mm) 7.3 (186)			
	PERFORMANCE DATA	34	Aisle width with pallets 40" x 48"		in. (mm) 190 (4825)		
		35	Turning radius		in. (mm) 112.2 (2850)		
36		Internal turning radius		in. (mm) 33.3 (845)			
37		Travel speed, RL/NL	1-Speed	mph (km/h)	9.3/9.9 (15/16)	11.2/11.8 (18/19)	
			2-Speed	mph (km/h)	13.7/14.9 (22/24)	15.5/17.3 (25/28)	16.1/17.4 (26/28)
38		Travel speed, RL/NL, reverse	1-Speed	mph (km/h)	10.6/11.8 (17/19)	13/13.7 (21/22)	
39		Lifting speed, RL/NL		fpm (mm/s) 104.3/110.2 (530/560)			
40		Lowering speed RL/NL		fpm (mm/s) 98.4/88.6 (500/450)			
41		Max. drawbar RL/NL		lbf (N)	7193.9/6069.8 (32000/27000)	7081.5/6744.3 (31500/30000)	7418.7/7193.9 (33000/32000)
42		Gradeability, RL/NL @ 3mph (4.8 km/h)		%	22/25		23/25
43	Service brake		Hydraulic				
COMBUSTION-ENGINE	44	Engine manufacturer/type		Kubota 3.8L	Kubota 3.8L	Kubota 3.8L	
	45	Engine power according to DIN ISO 1585		hp (Kw)	73.2 (54.6)	67.8 (50.6)	79.4 (59.2)
	46	Rated speed		min-1	2200	2400	
	47	Number of cylinders/displacement		-/cm3	4/3769		
ADDITIONAL DATA	48	Operating pressure for attachments		PSI (bar) 2828.2 (195)			
	49	Oil volume for attachments		gal/min (l/min) 18.5 (70)			
	50	Fuel tank capacity (gas & diesel only)		gal (L) 26.4 (100)		N/A	
	51	Sound pressure level at the driver's seat		dB (A)	81.5	88	
	52	Towing coupling, type DIN		PIN			

GP100UX GENERAL SPECIFICATIONS

GENERAL	1	Manufacturer		Yale			
	2	Model designation		GP100UX			
		Engine		Kubota 3.8L	Kubota 3.8L	Kubota 3.8L	
	3	Drive		Diesel	Dual fuel	LPG	
	4	Operator type		Seat			
	5	Rated capacity/rated load	lbs. (kg)	10000 (4535.9)			
	6	Load center distance	in. (mm)	24 (600)			
	7	Load distance, center of drive axle to fork	in. (mm)	22.8 (580)			
WEIGHT	8	Wheelbase (with mast vertical)	in. (mm)	82.7 (2100)			
	9	Service weight	lbs. (kg)	15454.4 (7010)			
	10	Axle loading, RL front/rear	lbs. (kg)	23832/2645.5 (10810/1200)			
TIRES/CHASSIS	11	Axle loading, NL front/rear	lbs. (kg)	6966.6/8487.8 (3160/3850)			
	12	Tire type		Pneumatic			
	13	Tire size, front		300-15-18PR			
	14	Tire size, rear		7.00-12-12PR			
	15	Wheels, number front/rear		2X2			
DIMENSIONS	16	Tread, front	in. (mm)	46.9 (1190)			
	17	Tread, rear	in. (mm)	44.5 (1130)			
	18	Tilt of mast/fork carriage, forward /backward	degrees	6/12			
	19	Height, mast lowered	in. (mm)	88.6 (2250)			
	20	Free lift	in. (mm)	6.1 (155)			
	21	Lift	in. (mm)	118.1 (3000)			
	22	Height, mast extended	in. (mm)	167.7 (4260)			
	23	Height of overhead guard/cabin	in. (mm)	88.6/94.5 (2250/2400)			
	24	Seat height/stand height	in. (mm)	53.1 (1350)			
	25	Towing coupling height	in. (mm)	13.4 (340)			
	26	Overall length	in. (mm)	171.1 (4345)			
	27	Length to face of forks	in. (mm)	128.9 (3275)			
	28	Overall width, std/dual	in. (mm)	58.7/75.7 (1490/1924)			
	29	Fork dimensions ISO2331	in. (mm)	2x5.9x42.1 (50x150x1070)			
	30	Fork carriage ISO 2328. Class/type, A/B		ISO 3A			
	31	Fork carriage width	in. (mm)	54.3 (1380)			
	PERFORMANCE DATA	32	Ground clearance, laden, below mast	in. (mm)	5.1 (130)		
		33	Ground clearance, centre of wheelbase	in. (mm)	7.3 (186)		
34		Aisle width with pallets 40" x 48"	in. (mm)	192.3 (4885)			
35		Turning radius	in. (mm)	114.4 (2905)			
36		Internal turning radius	in. (mm)	33.3 (845)			
37		Travel speed, RL/NL	1-Speed	mph (km/h)	9.3/9.9 (15/16)	11.2/11.8 (18/19)	
			2-Speed	mph (km/h)	13.7/14.9 (22/24)	15.5/17.3 (25/28) 16.1/17.4 (26/28)	
38		Travel speed, RL/NL, reverse	1-Speed	mph (km/h)	10.6/11.8 (17/19)	13/13.7 (21/22)	
39		Lifting speed, RL/NL		fpm (mm/s)	104.3/110.2 (530/560)		
40		Lowering speed RL/NL		fpm (mm/s)	98.4/88.6 (500/450)		
41	Max. drawbar RL/NL		lbf (N)	7193.9/6069.8 (32000/27000)	7081.5/6744.3 (31500/30000) 7418.7/7193.9 (33000/32000)		
42	Gradeability, RL/NL @ 3mph (4.8 km/h)		%	20/25	21/25 20/25		
43	Service brake			Hydraulic			
COMBUSTION-ENGINE	44	Engine manufacturer/type		Kubota 3.8L	Kubota 3.8L	Kubota 3.8L	
	45	Engine power according to DIN ISO 1585	hp (Kw)	73.2 (54.6)	67.8 (50.6)	79.4 (59.2)	
	46	Rated speed	min-1	2200	2400		
	47	Number of cylinders/displacement	-/cm3	4/3769			
ADDITIONAL DATA	48	Operating pressure for attachments	PSI (bar)	2828.2 (195)			
	49	Oil volume for attachments	gal/min (l/min)	18.5 (70)			
	50	Fuel tank capacity (gas & diesel only)	gal (L)	26.4 (100)		N/A	
	51	Sound pressure level at the driver's seat	dB (A)	81.5	88		
	52	Towing coupling, type DIN		PIN			

MAST TABLE

Max fork height				Overall extended Height								Free lift									
				Mast tilt		Lowered height				Without load backrest						With load backrest					
				forward	back	8,000-9,000 lbs.		10,000 lbs.		8,000-9,000 lbs.						10,000 lbs.		8,000-9,000 lbs.		10,000 lbs.	
in	mm	degrees	degrees	in.	mm	in.	mm	in.	mm	in.	mm	in.	mm	in.	mm	in.	mm				
2-STAGE LIMITED FREE LIFT (LFL)																					
118.1	3000	6	12	88.6	2250	88.6	2250	151.6	3850	151.6	3850	167.7	4260	167.7	4260	5.9	150	6.1	155		
129.9	3300	6	12	94.5	2400	94.5	2400	163.4	4150	163.4	4150	179.5	4560	179.5	4560	5.9	150	6.1	155		
137.8	3500	6	12	98.4	2500	98.4	2500	171.3	4350	171.3	4350	187.4	4760	187.4	4760	5.9	150	6.1	155		
145.7	3700	6	12	102.4	2600	102.4	2600	181.1	4600	181.1	4600	197.2	5010	197.2	5010	5.9	150	6.1	155		
157.5	4000	6	12	110.2	2800	110.2	2800	190.9	4850	190.9	4850	207.1	5260	207.1	5260	5.9	150	6.1	155		
177.2	4500	6	6	120.1	3050	120.1	3050	210.6	5350	210.6	5350	226.8	5760	226.8	5760	5.9	150	6.1	155		
196.9	5000	6	6	129.9	3300	129.9	3300	230.3	5850	230.3	5850	246.5	6260	246.5	6260	5.9	150	6.1	155		
216.5	5500	3	6	141.7	3600	141.7	3600	250.0	6350	250.0	6350	266.1	6760	266.1	6760	5.9	150	6.1	155		
236.2	6000	3	6	151.6	3850	151.6	3850	269.7	6850	269.7	6850	285.8	7260	285.8	7260	5.9	150	6.1	155		
2-STAGE FULL FREE LIFT (FFL)																					
118.1	3000	6	12	88.6	2250	88.6	2250	149.6	3800	149.6	3800	165.7	4210	165.7	4210	56.1	1425	56.1	1425		
129.9	3300	6	12	94.5	2400	94.5	2400	161.4	4100	161.4	4100	177.6	4510	177.6	4510	62.0	1575	62.0	1575		
137.8	3500	6	12	98.4	2500	98.4	2500	169.3	4300	169.3	4300	185.4	4710	185.4	4710	65.9	1675	65.9	1675		
147.6	3750	6	12	103.3	2625	103.3	2625	179.1	4550	179.1	4550	195.3	4960	195.3	4960	70.9	1800	70.9	1800		
157.5	4000	6	12	110.2	2800	110.2	2800	189.0	4800	189.0	4800	205.1	5210	205.1	5210	77.8	1975	77.8	1975		
3-STAGE FULL FREE LIFT (FFL)																					
157.5	4000	6	6	83.1	2110	83.1	2110	191.3	4860	191.3	4860	207.1	5260	207.1	5260	50.0	1270	50.0	1270		
171.3	4350	6	6	88.0	2235	88.0	2235	205.1	5210	205.1	5210	220.9	5610	220.9	5610	54.9	1395	54.9	1395		
177.2	4500	6	6	90.0	2285	90.0	2285	211.0	5360	211.0	5360	226.8	5760	226.8	5760	56.9	1445	56.9	1445		
189.0	4800	6	6	93.9	2385	93.9	2385	222.8	5660	222.8	5660	238.6	6060	238.6	6060	60.8	1545	60.8	1545		
196.9	5000	6	6	97.8	2485	97.8	2485	230.7	5860	230.7	5860	246.5	6260	246.5	6260	64.8	1645	64.8	1645		
212.6	5400	3	6	102.8	2610	102.8	2610	246.5	6260	246.5	6260	262.2	6660	262.2	6660	69.7	1770	69.7	1770		
236.2	6000	3	6	112.2	2850	112.2	2850	270.1	6860	270.1	6860	285.8	7260	285.8	7260	79.1	2010	79.1	2010		
255.9	6500	3	6	120.1	3050	120.1	3050	289.8	7360	289.8	7360	305.5	7760	305.5	7760	87.0	2210	87.0	2210		

FEATURES LIST

POWERTRAIN	STD	OPT	LIFT OPTIONS - HYDRAULICS	STD	OPT
Kubota 3.8L EPA Certified DOC diesel	●		Manual hydraulic levers	●	
Kubota 3.8L EPA Certified LPG		●	2 function (0 auxiliary) hydraulics	●	
Kubota 3.8L EPA Certified dual fuel		●	3 function (1 auxiliary) hydraulics		●
Powershift transmission 2-speed fwd / 1-speed rev	●		4 function (2 auxiliary) hydraulics		●
Drum brakes	●		Clamping		●
Key switch start	●		Auxiliary function hose groups		●
Standard environmental construction (14F to 104F)	●		CHASSIS - WHEELS & TIRES	STD	OPT
Cold environmental construction (-4F to 104F)		●	Standard tread	●	
High air intake	●		Dual tread		●
High air intake with pre-cleaner		●	Pneumatic shape solid (PSS) tires	●	
Non-locking fuel cap	●		Pneumatic tires		●
Locking fuel cap		●	CHASSIS - OPERATOR COMPARTMENT	STD	OPT
Counterweight rear exhaust	●		94.5" overhead guard	●	
Overhead exhaust		●	88.5" overhead guard		●
Spark arrester		●	Glass top screen		●
LPG tank bracket with dual straps		●	PVC top screen		●
Operator Presence System	●		Front screen with wiper		●
Battery disconnect		●	Full steel cab with front and rear wipers		●
LIFT OPTIONS - FRONT END EQUIPMENT	STD	OPT	Front, top, and rear screens with front and rear wipers		●
2-stage limited free lift (LFL) mast	●		Front and top screens with front washer/wiper		●
2-stage full free lift (FFL) mast		●	Air conditioning		●
3-stage full free lift (FFL) mast		●	Cab heater		●
54" hook type carriage	●		Lever directional control	●	
63" hook type carriage		●	Foot Directional Control Pedal		●
67" hook type carriage		●	Steering wheel with spinner knob	●	
71" hook type carriage		●	Non-suspension vinyl seat	●	
54" LDSJ ISS		●	Full-suspension vinyl seat		●
54" LDSJ HOSS		●	Black seat belt	●	
54" Cascade HOSS		●	Seat belt with interlock		●
49" Cascade HOSSFP		●	Seat belt with sequential interlock		●
56" LDSJ HOSSFP		●	CHASSIS - OPERATOR COMPARTMENT ACCESSORIES	STD	OPT
Hook type standard taper forks	●		Rear grab handle with horn button		●
47" load backrest	●		Dual side view mirrors		●
6° forward / 12° back mast tilt	●		LIGHTS & ALARMS	STD	OPT
6° forward / 10° back mast tilt		●	LED work lights		●
6° forward / 6° back mast tilt		●	Rear lights package with turn signals		●
3° forward / 6° back mast tilt		●	Strobe light		●
Tilt cylinder boots		●	Audible reverse alarm		●
			Park brake alarm	●	
			Blue spot light		●

About Yale

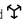
Yale Lift Truck Technologies leverages over a century of material handling experience and substantial investment in innovation to bring the most advanced technology-driven lift truck solutions to market. The company offers a full line of award-winning lift trucks, including reach trucks, order pickers, turret trucks, pallet jacks and trucks, pallet stackers, tow tractors and counterbalanced forklifts, as well as powerful operator assist solutions, proven robotics and a wide range of power sources to help customers adapt to today's demanding supply chain. Yale and its independent dealer network support these solutions with comprehensive after-sales service, parts, financing and training.

Yale Lift Truck Technologies
P.O. Box 7367
Greenville, NC 27835-7367
U.S.A.

yale.com



EXPLORE MORE
ONLINE.
←

© 2025 Hyster-Yale Materials Handling, Inc., all rights reserved. YALE and  are trademarks of Hyster-Yale Materials Handling, Inc.

Trucks may be shown with optional equipment and/or features not available in all regions. Truck performance may be affected by the condition of the vehicle, how it is equipped and the application. Specifications are subject to change without notice. Consult your Yale® Dealer if any of the information shown is critical to your application.

CERTIFICATION: Yale lift trucks meet the design and construction requirements of B56.1-1969, per OSHA Section 1910.178(a)(2), and also comply with the B56.1 revision in effect at time of manufacture.



MATERIALS HANDLING FOR:

Third-party logistics (3PL)

Auto parts distribution

Beverage

Cold & frozen foods

Food distribution

Food processing

Furniture & furnishings

Government

Health & pharma

Home centers & durables

Retail & e-commerce